



Shackles

Stamped Shackles

Part No.	Breaking Load	Pin Size
H072	2,500	3/16"
H138	3,000	1/4"
H246	1,200	5/32"



Self-Locking "D" Shackles

Part No.	Breaking Load	Pin Size
W1201	1,550	5/32"
W1202	2,200	3/16"
W1203	3,525	1/4"
W1204	5,950	5/16"
W1205	9,500	13/32"
W1206	13,200	15/32"
W1207	17,600	9/16"
H2108	3,300	1/4"
H2115	6,080	5/16"
H2122	9,740	13/32"
H2126	14,240	1/2"



Self-Locking Long "D" Shackles

Part No.	Breaking Load	Pin Size
W1211	1,550	5/32"
W1212	2,200	3/16"
W1213	3,525	1/4"
W1214	5,950	5/16"
W1215	9,500	13/32"
H2104	2,380	3/16"
H2111	3,300	1/4"
H2118	6,080	5/16"



Self-Locking Twisted Shackles

Part No.	Breaking Load	Pin Size
W1222	2,450	3/16"
W1223	3,300	1/4"
W1224	6,600	5/16"
W1225	9,900	13/32"
H2105	2,380	3/16"
H2112	3,300	1/4"
H2119	6,080	5/16"
H2125	9,740	13/32"



Shallow Bow Shackles

Part No.	Breaking Load	Pin Size
H2131	1,620	5/32"
H2132	2,380	3/16"
H2124	9,740	13/32"



Self-Locking Large Opening Shackles

Part No.	Breaking Load	Pin Size
W1262	1,765	3/16"
W1263	3,300	1/4"
W1264	5,950	5/16"
W1265	8,900	13/32"
H2106	2,200	3/16"



Self-Locking Bow Shackles

Part No.	Breaking Load	Pin Size
W1241	1,550	5/32"
W1242	2,200	3/16"
W1243	3,300	1/4"
W1244	5,950	5/16"
W1245	9,480	13/32"
W1246	13,200	15/32"
W1247	24,250	5/8"
W1248	35,250	25/32"
H2103	2,380	3/16"
H2110	3,300	1/4"
H2117	6,080	5/16"
H2124	9,740	13/32"



Allen Head Pin "D" Shackles

Part No.	Breaking Load	Pin Size
W1303	3,500	1/4"
W1304	5,950	5/16"
W1305	9,500	13/32"
W1306	13,200	15/32"
W1363	3,300	1/4"



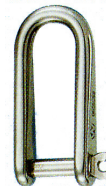
Allen Head Pin "Bow" Shackles

Part No.	Breaking Load	Pin Size
W1343	3,500	1/4"
W1344	5,950	5/16"
W1345	9,500	13/32"
W1346	13,200	15/32"



Tack Shackles

Part No.	Breaking Load	Pin Size
W1233	3,300	1/4"
W1234	5,100	5/16"



Captive Pin "D" Shackles

Part No.	Breaking Load	Pin Size
W1401	2,200	5/32"
W1402	3,300	3/16"
W1403	4,850	1/4"
W1404	8,000	5/16"
W1405	11,500	13/32"
W1406	15,400	15/32"



Captive Pin Twisted Shackles

Part No.	Breaking Load	Pin Size
W1422	3,310	3/16"
W1423	4,630	1/4"
W1424	8,160	5/16"
W1425	15,400	15/32"



Captive Pin Long Shackles

Part No.	Breaking Load	Pin Size
W1411	2,200	5/32"
W1412	3,300	3/16"
W1413	4,850	1/4"
W1414	8,000	5/16"
W1415	11,500	13/32"



Captive Pin Bow Shackles

Part No.	Breaking Load	Pin Size
W1441	2,200	5/32"
W1442	3,310	3/16"
W1443	4,630	1/4"
W1444	8,160	5/16"
W1445	11,465	13/32"



High-Resistance (HR) "D"

Part No.	Breaking Load	Pin Size
H2109	5,540	1/4"
H2116	10,260	5/16"
H2123	16,420	13/32"
H2127	24,000	1/2"



J-Locks

Part No.	Line Size	Working Load
TYLJ8	8-10mm	4,000
TYLJ12	10-12mm	6,000
TYLJ20	12-16mm	10,000
TYLJ30	14-20mm	15,000



Screw Pin Anchor Bow Shackles

Drop forged steel hot dipped galvanized

Part No.	Pin Size	WLL (In Tons)
SD147606	5/16"	1/2
SD147608	3/8"	3/4
SD147610	7/16"	1
SD147611	1/2"	1-1/2
SD147612	5/8"	2
SD147616	1.36"	3-1/4



Tylaska Dogbones

A dogbone is basically a short structural rod that can be attached to the end of a line and used like a button or toggle to make a connection to another line, grommet or deck fitting. We stock a range of sizes. Call for details.





Fixed Bail Snap Shackles

Part No.	Length	Working Load
W2470	1-3/8"	440 Lbs
W2471	2"	2,645 Lbs
W2472	2-3/4"	3,525 Lbs
RF6100	2-19/32"	2,200 Lbs
RF6200	3-11/32"	1,980 Lbs
RF6300	3-15/16"	4,410 Lbs



Small Bail Snap Shackles

Part No.	Length	Working Load
RF6110	2-23/32"	1,870 Lbs
W2473	2-3/4"	2,645 Lbs
W2475	3-1/2"	3,525 Lbs
RF6210	3-5/8"	3,530 Lbs
RF6310	4-11/32"	3,970 Lbs
W2477	4-3/4"	7,700 Lbs



Large Bail Snap Shackles

Part No.	Length	Working Load
RF6120	2-7/8"	3,310 Lbs
RF6220	3-31/32"	4,850 Lbs
W2373	3-1/8"	2,645 Lbs
W2375	4-1/8"	3,525 Lbs
RF6320	4-3/4"	5,950 Lbs
W2377	5-1/2"	7,750 Lbs



Tack Snap Shackles

Part No.	Length	Working Load
W2474	2-3/4"	2,200 Lbs
RF6130	2-27/32"	1,650 Lbs
RF6230	3-3/4"	2,430 Lbs
W2476	3-7/8"	3,525 Lbs
W2478	4-3/4"	6,650 Lbs



Quick Release Snap Shackles With Swivel Eye

Part No.	Length	Working Load
W2673	2-3/4"	2,425 Lbs
W2674	3-5/32"	3,525 Lbs
W2675	3-17/32"	4,400 Lbs
W2676	4-5/16"	6,600 Lbs
W2677	5-3/32"	8,800 Lbs
W2678	5-15/16"	14,330 Lbs



Quick Release With Large Bail

Part No.	Length	Working Load
W2773	3-1/4"	2,425 Lbs
W2774	3-1/2"	3,525 Lbs
W2775	4-5/16"	4,400 Lbs
W2776	4-3/4"	6,600 Lbs
W2777	5-11/16"	7,700 Lbs
W2778	6-1/4"	9,925 Lbs



Tylaska Small Bail

Part No.	Length	Working Load
TYLT5S	2-15/16"	2,500 Lbs
TYLT8S	3-7/16"	4,000 Lbs
TYLT12S	4"	6,000 Lbs
TYLT16S	4.74"	8,000 Lbs
TYLT20S	5"	10,000 Lbs
TYLT30S	6-3/8"	15,000 Lbs
TYLT50S	10"	25,000 Lbs



Tylaska Large Bail

Part No.	Length	Working Load
TYLT5L	3-5/16"	2,500
TYLT8L	3-5/8"	4,000
TYLT12L	4-1/2"	6,000
TYLT16L	5.41"	8,000
TYLT20L	5-9/16"	10,000
TYLT30L	7-3/16"	15,000
TYLT50L	12"	25,000



Tylaska Clevis Bail

Part No.	Length	Working Load
TYLT5CB	3-1/4"	2,500 Lbs
TYLT8CB	3-3/4"	4,000 Lbs
TYLT12CB	4-5/16"	6,000 Lbs
TYLT20CB	5-5/8"	10,000 Lbs
TYLT30CB	6-13/16"	15,000 Lbs
TYLT50CB	11"	25,000 Lbs



Wichard Thimble Snap Shackles

Part No.	Length	Working Load
W2493	3-3/4"	2,112 Lbs
W2495	4-5/16"	2,816 Lbs



Fids



These hi-tech fids are machined from solid aircraft 6061-T6 aluminum and knurled for a more secure grip. An indispensable tool for fast, safe release of lines under heavy load.

TYLFIDT5-T12	29.95
--------------	-------

Tylaska Spool Shackles

Part No.	Length	Working Load
TYLS2	0.673"	1,000 Lbs
TYLS3	0.926"	1,500 Lbs
TYLS5	1.062"	2,500 Lbs
TYLS8	1.313"	4,000 Lbs
TYLS12	1.562"	6,000 Lbs
TYLS20	1.99"	10,000 Lbs
TYLS30	2.938"	15,000 Lbs



Key Pin Shackles

Part No.	Pin Size	Breaking Load
W1432	3/16"	2,450 Lbs
W1433	1/4"	3,300 Lbs
W1434	5/16"	5,100 Lbs



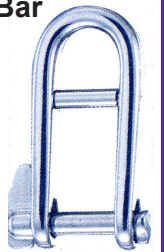
Ronstan Halyard Shackle

Part No.	Length	Breaking Load
RF1032	7/8"	2640
RF1033	1-1/4"	4620
RF1034	1-9/16"	5940



Key Pin Shackles with Bar

Part No.	Pin Size	Breaking Load
H2107	3/16"	2,380 Lbs
W81432	3/16"	2,645 Lbs
W81433	1/4"	3,745 Lbs
W81434	5/16"	5,500 Lbs
W91432	3/16"	3,300 Lbs
W91433	1/4"	4,840 Lbs
W91434	5/16"	7,040 Lbs



Wichard Thimble Shackles

Part No.	Length	Working Load
W1494	1-5/8"	2,750
W1495	2"	4,180



Schaefer Headboard Shackle

Part No.	Wire Size	Working Load
SCH93-80	3/16"	4,500



Tylaska Aluminum Halyard Shackles

2:1 Shackles include sheave in head for 2:1 Halyards.

Part No.	Length	Working Load
TYLH5	2.57	2,500 Lbs
TYLH5 2:1	2.57	2,500 Lbs
TYLH8	3.15	4,000 Lbs
TYLH8 2:1	3.15	4,000 Lbs
TYLH12	3.76	6,000 Lbs
TYLH12 2:1	3.76	6,000 Lbs
TYLH20	4.84	10,000 Lbs
TYLH20 2:1	4.84	10,000 Lbs



Tylaska Split Shackles

Part No.	Length	Working Load
TYLH8 2:1 S	3.31"	4,000 Lbs
TYLH12 2:1 S	4.08"	6,000 Lbs





Cabine Hooks, U-Bolts, Pad Eyes & Eyestraps

Carbine Hook - Standard

Working

Part No.	Stock Dia.	Length	Load
W2313	1/4"	2-3/8"	990
W2315	5/16"	3-5/32"	2,425
W2316	13/32"	4"	3,300
W2317	15/32"	4-5/8"	3,750



Carbine Hook - Asymmetric

Part No.	Stock Dia.	Length	SWL
W2323	1/4"	2-3/8"	1,100
W2325	5/16"	3-5/32"	2,650
W2326	13/32"	4"	3,630
W2327	15/32"	4-5/8"	3,970
W2328	15/32"	6-11/16"	3,970



Carbine Hook - Without Eye

Part No.	Stock Dia.	Length	SWL
W2333	1/4"	2-3/8"	990
W2335	5/16"	3-5/32"	2,425
W2336	13/32"	4"	3,300
W2337	15/32"	4-5/8"	3,750



Round Rings - Type 304 SS

Part No.	Stock Dia.	Internal Dia.	Working Load
SD191207	1/8"	3/4"	162
SD191310	3/16"	1"	250
SD191312	3/16"	1-3/16"	250
SD191410	1/4"	1"	675
SD191415	1/4"	1-1/2"	675
SD191520	5/16"	2"	1,250
SD191620	3/8"	2"	1,550
SD191625	3/8"	2-1/2"	1,550



U-Bolts

Part No.	Stock Dia.	Overall Length	Center to Center	Funct. Lbs.
W6511	5/32"	2"	1-5/16"	1,320
W6512	3/16"	2-3/8"	1-1/8"	1,765
W6513	1/4"	2-3/4"	1-1/4"	3,525
W6523	1/4"	3-1/2"	1-1/4"	3,525
W6514	5/16"	3-5/32"	1-13/32"	6,600
W6524	5/16"	3-15/16"	1-13/32"	6,600
W6515	13/32"	3-1/2"	1-9/16"	9,925
W6525	13/32"	4-11/32"	1-9/16"	9,925
W6516	15/32"	4-11/32"	1-3/4"	17,600
W6526	15/32"	5-1/8"	1-3/4"	17,600



U-Bolts

Part No.	Stock Dia.	Overall Length	Center to Center	Funct. Lbs.
W65321	3/16"	2-3/8"	15/16"	1,760
W65331	1/4"	2-3/4"	1-1/4"	3,520
W65431	1/4"	3-1/2"	1-1/4"	3,520
W65341	5/16"	3-5/32"	1-13/32"	6,600
W65441	5/16"	3-15/16"	1-13/32"	6,600
W65351	11/32"	3-1/2"	1-9/16"	9,925
W65451	13/32"	4-11/32"	1-9/16"	9,925
W65361	15/32"	4-11/32"	1-3/4"	17,600
W65461	15/32"	5-1/8"	1-3/4"	17,600



Pad-Eyes - Stainless Steel Welded

Part No.	I.D.	Length	Width	SWL
SCH78-02	3/8"	1-7/8"	5/8"	250
SCH78-01	7/8"	3"	1"	2,500
SCH78-03	1/2"	2"	5/8"	650
SCH78-05	1/2"	2-1/4"	5/8"	750
SCH78-25	1"	4-1/4"	1-1/4"	3,000



Schaefer Pad Eyes, SS, Cast

Part No.	I.D.	Length	Width	SWL
SCH78-07	13/16"	2-1/2"	2-1/2"	4,000
SCH78-17	7/8"	3"	3"	8,500
SCH78-96	5/8"	4"	2-3/8"	4,400
SCH78-98	1/2"	3"	15/16"	2,200
SCH78-99	3/4"	4"	1-3/8"	3,500
SCH97-42	3/4"	3"	3"	4,000



Harken Pad Eyes, SS, Cast

Part No.	I.D.	Length	Width	MWL
H627	5/8"	2-1/4"	2-1/4"	4,300
H629	1-1/16"	3-3/4"	3-3/4"	12,000
H648	1-1/8"	3"	3"	8,500
H688	9/16"	3-1/8"	2"	3,800
H689	7/8"	3-7/8"	2-5/16"	7,800



Harken Folding Pad Eyes

Part No.	Length	Width	MWL
H3206	1-5/8"	1"	1,760
H3207	1-5/8"	1-7/8"	3,080



Wichard Folding Pad Eyes

Part No.	Length	Width	Working Load Lbs.
W6604	41mm	44mm	3,174
W6605	51mm	59mm	5,291
W6606	68mm	80mm	8,994
W6564	75mm	45mm	3,174
W6565	81mm	59mm	5,291
W6566	104mm	75mm	10,053



Harken Eyestraps

Part No.	I.D.	Length	Width	B.L.
H073	3/8"	1-11/16"	7/16"	1,600
H074	5/8"	3-1/4"	9/16"	4,000
H137	5/8"	2"	9/16"	3,000
H201	1/4"	1-7/8"	7/16"	1,600
H281	3/8"	1-7/16"	7/16"	1,000
H282	3/4"	2-13/16"	3/4"	3,000
H419	5/8"	2-1/2"	1/2"	1,600
H1558	7/16"	2-1/4"	1-1/8"	6,000
H2133	9/16"	1-3/16"	3/8"	2,500
H2134	5/8"	2-1/4"	1/2"	3,500



Schaefer Eyestraps

Part No.	I.D.	Length	Width	SWL
SCH78-65	9/32"	1-7/16"	1/4"	400
SCH78-31	7/16"	1-7/16"	5/16"	400
SCH78-32	1/2"	1-3/4"	5/16"	400
SCH78-67	5/8"	2-1/8"	1/2"	400
SCH78-34	5/8"	2-3/4"	1/2"	800
SCH78-68	5/8"	2-3/8"	5/8"	800
SCH78-38	11/16"	2-7/16"	5/8"	400
SCH78-37	1"	3-1/2"	5/16"	1,000
SCH78-33	9/16"	3-1/8"	3/8"	400



Ronstan Eyestraps

Part No.	I.D.	Length	Width
RF498	3/8"	1-1/16"	1/8"
RF528	1/2"	1-3/4"	1/4"
RF134	9/16"	1-1/4"	3/16"
RF1055	5/8"	1-3/4"	1/4"
RF1054	11/16"	2-3/8"	3/16"
RF94	1/4"	1-1/16"	3/8"
RF291	1/2"	1-1/4"	3/8"
RF148	9/16"	1-5/8"	1/2"



HARDWARE



Harken Radial® Winches



Aluminum Radial winches are lightweight, extremely strong winches with plenty of power. The drum's gripping surface is shaped for each winch size and drum material and features diagonal ribs (rather than textured abrasive materials) to maximize gripping power and greatly reduce line wear. When easing, the angle of the ribs will stop the line from rising, preventing overrides and providing a smooth controlled release as the line exits the winch. Aluminum drums, high-strength composite self-tailing jaws, and skirt save weight. Composite roller bearings.



Radial Self-Tailing Winches

Part No.	Description	Base Dia.	Weight Lbs.	Line
H20STA	Sgl-Spd Alum	5-3/8"	5.3	1/4"-1/2"
H20STC	Sgl-Spd Chrome	5-3/8"	7.5	1/4"-1/2"
H35.2STA	2-Spd Alum	5-7/8"	7.9	5/16"-1/2"
H35.2STC	2-Spd Chrome	5-7/8"	10.6	5/16"-1/2"
H40.2STA	2-Spd Alum	6-3/16"	8.4	5/16"-1/2"
H40.2STC	2-Spd Chrome	6-3/16"	11.9	5/16"-1/2"
H46.2STA	2-Spd Alum	7-1/4"	11.5	5/16"-9/16"
H46.2STC	2-Spd Chrome	7-1/4"	17.2	5/16"-9/16"
H50.2STA	2-Spd Alum	7-5/8"	13.2	5/16"-9/16"
H50.2STC	2-Spd Chrome	7-5/8"	20.3	5/16"-9/16"
H60.2STA	2-Spd Alum	9-1/8"	22.5	5/16"-5/8"
H60.2STC	2-Spd Chrome	9-1/8"	30.7	5/16"-5/8"
H60.3STA	3-Spd Alum	9-1/8"	25.8	5/16"-5/8"
H60.3STC	3-Spd Chrome	9-1/8"	34.0	5/16"-5/8"
H70.2STA	3-Spd Alum	9-7/16"	24.9	3/8"-11/16"
H70.2STC	3-Spd Chrome	9-7/16"	33.3	3/8"-11/16"
H70.3STA	3-Spd Alum	9-7/16"	28.3	3/8"-11/16"
H70.3STC	3-Spd Chrome	9-7/16"	36.6	3/8"-11/16"

Harken Electric Radial® Winches

Specify Horizontal or Vertical motor orientation and 12 or 24 volts. Other sizes and configurations available. Contact us for details. Harken electric winches include dual-function control box. Circuit breaker and switches sold separately.

Part No.	Description
H40.2STEA	2 Speed, Aluminum
H40.2STEC	2 Speed, Chrome
H46.2STEA	2 Speed, Aluminum
H46.2STEC	2 Speed, Chrome
H50.2STEA	2 Speed, Aluminum
H50.2STEC	2 Speed, Chrome



Harken UniPower Radial® Winch

Unique winch with motor partially imbedded inside the drum so that motor extends only 4-1/8" below the winch base. Available in 12 or 24 volt. Includes dual function control box. Purchase switches separately. works with handle if power is unavailable.



Part No.	Description	Base Dia	Weight Lbs.	Line
H500UPWA	UniPower Alum	5-3/4"	15	5/16"-9/16"
H500UPWC	UniPower Chrome	5-3/4"	18	5/16"-9/16"
H900UPWA	UniPower Alum	7-1/2"	26.5	5/16"-9/16"
H900UPWC	UniPower Chrome	7-1/2"	32	5/16"-9/16"

Harken Performa™ Winches

Engineered for High-Tech Line, Harken Performa™ winches are for racers and racer/cruisers who don't want to invest in a carbon winch, or who need winches in smaller sizes. The Performa™ design combines the efficiency of Harken Radial winches with the sandblasted grip of its Carbon Fiber racing winch for a powerful hybrid. Performa winches transfer high loads to the winch with fewer wraps, allowing crew to trim and ease sails quickly and repeatedly as wind strength and directions change. Performa winches are available in sizes 40 to 60 to compliment Harken's Carbon Fiber product line.



Classic Plain Top

Part No.	Description	Base Dia.	Gear Ratio		Weight Lbs.
			1	2	
HB6A	Sgl-Spd Alum	3-9/16"	1		1.5
HB8A	Sgl-Spd Alum	4-1/2"	1		2.4

Performa™ Plain-Top Winches

Part No.	Description	Base Dia.	Gear Ratio		Weight Lbs.
			1	2	
H20.2PTP	Sgl-Spd Alum	5-3/8"	1	2.76	4.4
H35.2PTP	2-Spd Alum	5-7/8"	2.13	5.65	6.8
H40.2PTP	2-Spd Alum	6-3/16"	2.13	6.28	7.7
H46.2PTP	2-Spd Alum	7-1/4"	2.30	9.17	11.3
H50.2PTP	2-Spd Alum	7-11/16"	2.40	10.90	13.0

Performa™ Self-Tailing Winches

Part No.	Description	Base Dia.	Line	Weight Lbs.
H20STP	Sgl-Spd Alum	5-3/8"	1/4"-3/8"	5.3
H35.2STP	2-Spd Alum	5-7/8"	5/16"-1/2"	7.9
H40.2STP	2-Spd Alum	6-3/16"	5/16"-1/2"	8.4
H46.2STP	2-Spd Alum	7-1/4"	5/16"-9/16"	11.5
H50.2STP	2-Spd Alum	7-11/16"	5/16"-9/16"	13.2
H60.2STP	2-Spd Alum	9-5/16"	5/16"-5/8"	22.5
H60.3STP	2-Spd Alum	9-5/16"	5/16"-5/8"	25.8
H70.2STP	2-Spd Alum	9-7/16"	3/8"-5/8"	24.9
H70.3STP	2-Spd Alum	9-7/16"	3/8"-5/8"	28.3

Deck Switches

Part No.	Description
HBRS102/P	Remote Switch w/ Guard
HBRS102/S	Remote Switch w/ Guard and SS Cap
HBRS104/P	Quick Switch w/ Guard
HHCP2029	Rubber switch cover



Harken Digital System Switch

Harken Digital System Switches in dual and single-function models set the standard for the reliable operation of electrically-powered yacht systems. Covers rotate to expose activation buttons. Space saving design includes two buttons in one housing. Selecting OFF conceals the control functions and protects against accidental activation.

Part No.	Description
HDSDBK1-ND	Black, 1/2 Buttons (No Decoder)
HDSDBK2-ND	Black, Left/Right Buttons (No Decoder)
HDSDBK3-ND	Black, Up/Down Buttons (No Decoder)
HDSOSS1-ND	Stainless Steel, 1/2 Buttons (No Decoder)
HDSOSS2-ND	Stainless Steel, Left/Right Buttons (No Decoder)
HDSOSS3-ND	Stainless Steel, Up/Down Buttons (No Decoder)



Harken Winch Service Kits

Part No.	Description
HBK4512	Winch service kit includes 10 pawls and springs for Classic B6 - B90 winches and all Radial Winches
HBK4513	Winch grease, 100 mil tube
HBK4517	Lock-in handle repair kit -fits all Harken handles.
HBK4521	Pawl Oil for pawls and springs



HARKEN®

Harken Electric Winch Conversion Kits

*Vertical Mount Available To Order

Radial 35 Conversion Kits

Part No.	Voltage
HK35E12H.CONV	12 Volt
HK35E24H.CONV	24 Volt

Radial 40 Conversion Kits

Part No.	Voltage
HK40E12H.CONV	12 Volt
HK40E24H.CONV	24 Volt

Radial 46 Conversion Kits

Part No.	Voltage
HK46E12H.CONV	12 Volt
HK46E24H.CONV	24 Volt

Radial 50 Conversion Kits

Part No.	Voltage
HK50E12H.CONV	12 Volt
HK50E24H.CONV	24 Volt

Radial 60 Conversion Kits

Part No.	Voltage
HK60.2E12H.CONV	12 Volt
HK60.2E24H.CONV	24 Volt

Radial 70 Conversion Kits

Part No.	Voltage
HK70.2E12H.CONV	12 Volt
HK70.2E24H.CONV	12 Volt

Dual Function Control Box for Electric Winches

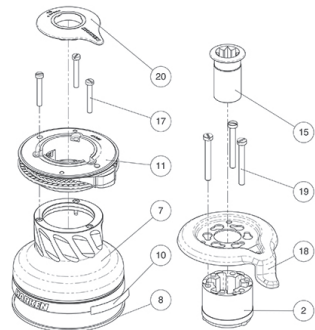
Part No.	Voltage
HDF-12	12 Volt
HDF-24	24 Volt



Scan the QR Code Below To Order Online!



Winch Parts Available Online



LEWMAR

Lewmar Ocean Winches

Lewmar offers a broad range of winches to fit any boat. They are powerful, easy to install, and feature a needle-peen drum for a better grip on your rope with less wear. Lewmar's self-tailing winches combine the gentle "wave-grip" feature with self-adjusting springs to handle today's smaller line diameters, as well as larger polyester ropes.



Lewmar Ocean Standard Winches

Part No.	Model No.	Description	Base Dia.	Weight Lbs.
LEW49006010	6	Sgl Speed Alum.	3-11/16"	1.10
LEW19006100	6	Sgl Speed Chrome	3-11/16"	2.40
LEW49007030	7	Sgl Speed Alum.	4-1/4"	1.80
LEW49007032	7	Sgl Speed Chrome	4-1/4"	3.70
LEW49008030	8	Sgl Speed Alum.	4-1/4"	3.10
LEW49008032	8	Sgl Speed Chrome	4-1/4"	5.10
LEW49016030	16	2-Speed Alum.	2-5/8"	4.60
LEW49016032	16	2-Speed Chrome	2-5/8"	7.00

Ocean Self-Tailing Winches

Part No.	Model No.	Description	Max - Min Rope	Base Dia.	Weight Lbs.
LEW49014000	14	Sgl Speed Alum.	1/4"-3/8"	4-3/4"	6.8
LEW49014001	14	Sgl Speed Chrome	1/4"-3/8"	4-3/4"	6.9
LEW49016000	16	Sgl Speed Alum.	5/16"-1/2"	2-9/16"	6.4
LEW49016001	16	Sgl Speed Chrome	5/16"-1/2"	2-9/16"	8.6
LEW49030000	30	2-Speed Alum.	5/16"-1/2"	2-15/16"	9.2
LEW49030001	30	2-Speed Chrome	5/16"-1/2"	2-15/16"	12.3
LEW49040055	40	2-Speed Alum.	5/16"-1/2"	2-15/16"	10.7
LEW49040056	40	2-Speed Chrome	5/16"-1/2"	2-15/16"	14.3
LEW49046055	46	2-Speed Alum.	5/16"-9/16"	3-7/16"	15.8
LEW49046056	46	2-Speed Chrome	5/16"-9/16"	3-7/16"	21.3
LEW49050000	50	2-Speed Alum.	5/16"-5/8"	4-1/8"	24.9
LEW49050001	50	2-Speed Chrome	5/16"-5/8"	4-1/8"	35.9
LEW49054000	54	2-Speed Alum.	5/16"-5/8"	4-1/8"	26.4
LEW49054001	54	2-Speed Chrome	5/16"-5/8"	4-1/8"	37.5

Lewmar Ocean Winch Electric Conversion Kit

The complete Ocean upgrade kit size 40-48 is supplied with the motor gearbox and E-series controller pre-mounted for fast and easy installation.

Part No.	Model No.	Description
LEW480403001	40	40ST 12V 'E' Conversion Kit
LEW480463001	46	46ST 12V 'E' Conversion Kit
LEW480483001	48	48ST 12V 'E' Conversion Kit
LEW48050300	50	50ST 12V 'E' Conversion Kit
LEW48054300	54	54ST 12V 'ELS' Conversion Kit
LEW48058300	58	58ST 12V 'ELS' Conversion Kit

Lewmar Service Kits

Part No.	Description
LEW19700100	Spares Kit. Kit contains: 4 circlips, 4 pawls and 4 pawl springs
LEW19700401	Pawls And Springs Kit. Contains: 6 pawls, 12 springs
LEW19701000	Gear Grease. Waterproof grease for many applications
LEW19701600	RaceLube 55 mil Plastic Bottle. For application where grease is not advised
LEW19701500	Winch Maintenance Pack. Kit includes: 100g Gear Grease, 55ml RaceLube, Brush, "How to" booklet, 10 Pawl Springs



HARKEN®

Harken Ball Bearing Winch Handles



Part No.	Description
A HB8ASGLP.....	8" Aluminum Speed Grip, Low-Profile, Lock-In
-- HB8ASG	8" Aluminum Speed Grip, Lock-In
-- HB8CSG.....	8" Chrome Speed Grip, Lock-In
-- HB8AP.....	8" Aluminum Winch Handle, Plain
-- HB8AL.....	8" Aluminum Winch Handle Lock-In
-- HB8CL.....	8" Chrome Winch Handle, Lock-in
B HB10AP.....	10" Aluminum Winch Handle, Plain
C HB10AL.....	10" Aluminum Winch Handle, Lock-In
D HB10ASG.....	10" Aluminum Speed Grip, Lock-In
E HB10CL.....	10" Chrome Winch Handle, Lock-In
F HB10CSG.....	10" Chrome Speed Grip, Lock-In
G HB10ADL.....	10" Aluminum Double-Grip Winch Handle, Lock-In

Harken Carbo OneTouch Lock-In Winch Handle

Lightweight and fast-acting, the Carbo® OneTouch® ball bearing locking winch handle makes grinding winches easy! Racers will maneuver faster and cruisers will have confidence in a reliable and easy-to-use winch handle.



Part No.	Description
HB10HOT	Carbo One-Touch Winch Handle

Lewmar Winch Handles



LEWMAR

Part No.	Description
A LEW29140040.....	8" One Touch Aluminum Handle
B LEW29140042.....	8" One Touch Aluminum Powergrip
A LEW29140044.....	10" One Touch Aluminum Handle
B LEW29140046.....	10" One Touch Aluminum Powergrip
-- LEW29140048.....	10" One Touch Aluminum Double Grip
C LEW29140121.....	10" Chrome Power Grip Handle-Lock In
-- LEW29141011.....	8" Aluminum Lock In Handle
-- LEW29141110.....	10" Aluminum Plain Handle
-- LEW29141111.....	10" Aluminum Lock In Handle
D LEW29141121.....	10" Chrome Lock In Handle
E..... LEW29141122.....	10" Chrome Lock In Dbl Grip Handle

Winch Handle Holders

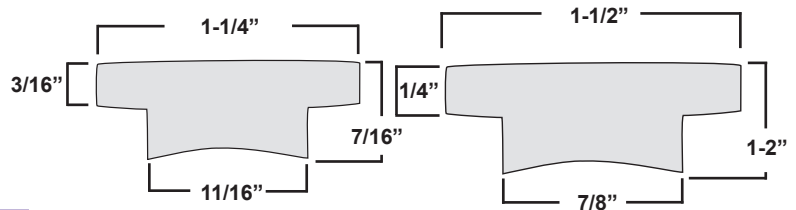
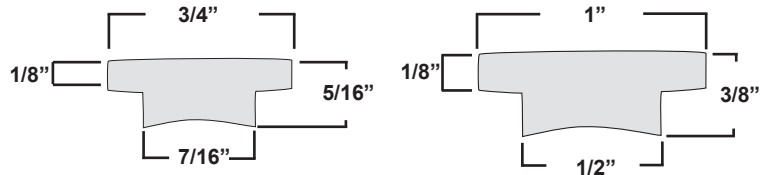
Part No.	Description
LEW29140020.....	Lewmar Winch Handle Holder
SD724200	SeaDog Winch Handle Holder



SCHAEFER

LEGENDARY STRENGTH

Schaefer T-Track incorporates a concave shaped riser for easy mounting to spars. Available in black hardcoat anodized or clear anodizing (silver). Pin stop holes at 1-3/8" centers on all sizes. End Stops are made from UV resistant Urethane. Track sections up to 8' can ship UPS or FedEx. Longer lengths must ship via truck. Contact us for shipping details.



Part No.	Finish	Length	Fastener Size	Fastener Space	Stop Dia.
3/4" T-Track					
SCH40-32.....	Black.....	2'.....	#10.....	3".....	3/16"
SCH40-34.....	Black.....	4'.....	#10.....	3".....	3/16"
SCH40-36.....	Black.....	6'.....	#10.....	3".....	3/16"
SCH40-38.....	Black.....	8'.....	#10.....	3".....	3/16"
SCH40-40.....	Black.....	10'.....	#10.....	3".....	3/16"
SCH74-34.....	End Stop Black.....	3/4"x1/8"(19x3mm).....			

1" T-Track

SCH40-62-C.....	Silver.....	2'.....	1/4".....	4".....	1/4"
SCH40-62.....	Black.....	2'.....	1/4".....	4".....	1/4"
SCH40-64-C.....	Silver.....	4'.....	1/4".....	4".....	1/4"
SCH40-64.....	Black.....	4'.....	1/4".....	4".....	1/4"
SCH40-66-C.....	Silver.....	6'.....	1/4".....	4".....	1/4"
SCH40-66.....	Black.....	6'.....	1/4".....	4".....	1/4"
SCH40-68-C.....	Silver.....	8'.....	1/4".....	4".....	1/4"
SCH40-68.....	Black.....	8'.....	1/4".....	4".....	1/4"
SCH40-70-C.....	Silver.....	10'.....	1/4".....	4".....	1/4"
SCH40-70.....	Black.....	10'.....	1/4".....	4".....	1/4"
SCH40-120-C.....	Silver.....	12'.....	1/4".....	4".....	1/4"
SCH40-120.....	Black.....	12'.....	1/4".....	4".....	1/4"
SCH74-35-G.....	End Stop Grey.....	1"x1/8"(25x3mm).....			
SCG74-35.....	End Stop Black.....	1"x1/8"(25x3mm).....			

1-1/4" T-Track

SCH40-72-C.....	Silver.....	2'.....	5/16".....	4".....	3/8"
SCH40-72.....	Black.....	2'.....	5/16".....	4".....	3/8"
SCH40-74-C.....	Silver.....	4'.....	5/16".....	4".....	3/8"
SCH40-74.....	Black.....	4'.....	5/16".....	4".....	3/8"
SCH40-76-C.....	Silver.....	6'.....	5/16".....	4".....	3/8"
SCH40-76.....	Black.....	6'.....	5/16".....	4".....	3/8"
SCH40-78-C.....	Silver.....	8'.....	5/16".....	4".....	3/8"
SCH40-78.....	Black.....	8'.....	5/16".....	4".....	3/8"
SCH40-80-C.....	Silver.....	10'.....	5/16".....	4".....	3/8"
SCH40-80.....	Black.....	10'.....	5/16".....	4".....	3/8"
SCH40-82-C.....	Silver.....	12'.....	5/16".....	4".....	3/8"
SCH40-82.....	Black.....	12'.....	5/16".....	4".....	3/8"
SCH74-36-G.....	End Stop Grey.....	1 1/4"x3/16"(32x5mm).....			
SCH74-36.....	End Stop Black.....	1 1/4"x3/16"(32x5mm).....			

1-1/2" T-Track

SCH41-12.....	Black.....	12'.....	3/8".....	4".....	7/16"
SCH74-39.....	End Stop Black.....	1-1/2"x1/4"(38x6mm).....			



Blocks, Clutches & Cam Cleats

Harken Element Blocks

Part No.	Description
H6230	45 mm Single
H6260	60 mm Single
H6290	80 mm Single
H6238	45 mm Double
H6269	60 mm Double
H6296	80 mm Double
H6240	45 mm Triple
H6272	60 mm Triple
H6231	45 mm Single w/Becket
H6261	60 mm Single w/Becket
H6291	80 mm Single w/Becket
H6232	45 mm Fiddle
H6262	60 mm Fiddle
H6292	80 mm Fiddle
H6233	45 mm Fiddle w/Becket
H6263	60 mm Fiddle w/Becket
H6293	80 mm Fiddle w/Becket
H6237	45 mm Single Footblock
H6267	60 mm Single Footblock
H6271	60 mm Double Footblock
H6294	80 mm Single Footblock
H6298	80 mm Double Footblock



Single Double Triple



Single w/Becket Fiddle Fiddle w/Becket



Single Footblock Double Footblock

Harken Carbo Blocks

Part No.	Description
H340	29 mm Single
H2636	40 mm Single
H2600	57 mm Single
H2660	75 mm Single
H342	29 mm Double
H2638	40 mm Double
H2602	57 mm Double
H2662	75 mm Double
H344	29 mm Triple
H2640	40 mm Triple
H2604	57 mm Triple
H2664	75 mm Triple



Single Double Triple

Single w/Becket

29 mm	40mm	57 mm	75 mm
H341	H2637	H2601	H2661

Double w/Becket

29 mm	40mm	57 mm	75 mm
H343	H2639	H2603	H2663

Triple w/Becket

29 mm	40mm	57 mm	75 mm
H345	H2641	H2605	H2665

Harken Cam Cleats



Part No.	Description	Line Dia.	Fast. Spacing	MWL
H150	Standard Cam-Matic®	1/8"-1/2"	1-1/2"	300 lbs
H491	Stainless Cam Matic	1/4"-5/8"	2-1/16"	500 lbs
H280	Offshore Cam-Matic®	1/4"-5/8"	2-1/16"	500 lbs
H468	Micro Cam-Matic®	3/32"-1/4"	1-1/16"	200 lbs
H365	Standard Carbo-Cam®	1/8"-3/8"	1-1/2"	200 lbs
H471	Micro Carbo-Cam®	1/8"-1/4"	1-1/16"	150 lbs

Harken Cam Cleat Standard Accessories

Fits H150 and H365 except as otherwise noted.

Part No.	Description
H137	Eyestrapp
H145	Cam Wedge Kit
H201	Low-Profile Eyestrapp
H295	Flat Cam Riser
H296	15° Angled Cam Riser
H298	Wire Fairlead
H375*	X-Treme Angle Fairlead
H425**	Fairlead
H438	Cam Adaptor Plate



* Fits H150.

**Add color code: BK (Black), BL (Blue), G (Green), R (Red), Y (Yellow)

Harken Cam Cleat Micro Accessories

Fits H468 and H471

Part No.	Description
H281	Eyestrapp
H475	Wire Fairlead
H293	Flat Cam Riser
H294	15° Angled Micro Cam Riser
H297	Cam Wedge Kit
H476	X-Treme Angle Fairlead
H424*	Fairlead



*Add color code: BK (Black), BL (Blue), G (Green), R (Red), Y (Yellow)

Offshore Accessories

Fits H280

Part No.	Description
H282	Large Eyestrapp
H283	Offshore Cam Wedge Kit



LEWMAR

Lewmar D1 Rope Clutches

Part No.	Description	Minimum Holding Load	Line Size
LEW29101108BK	Single	.661 lbs	1/4" - 5/16"
LEW29101208BK	Double	.661 lbs	1/4" - 5/16"
LEW29101308BK	Triple	.661 lbs	1/4" - 5/16"
LEW29101110BK	Single	.880 lbs	5/16" - 3/8"
LEW29101210BK	Double	.880 lbs	5/16" - 3/8"
LEW29101310BK	Triple	.880 lbs	5/16" - 3/8"
LEW29101112BK	Single	1,100 lbs	3/8" - 7/16"
LEW29101212BK	Double	1,100 lbs	3/8" - 7/16"
LEW29101312BK	Triple	1,100 lbs	3/8" - 7/16"

Lewmar D2 Rope Clutches

Part No.	Description	Minimum Holding Load	Line Size
LEW29101410BK	Single	1,102 lbs	5/16" - 3/8"
LEW29102410BK	Double	1,102 lbs	5/16" - 3/8"
LEW29103410BK	Triple	1,102 lbs	5/16" - 3/8"
LEW29101412BK	Single	1,550 lbs	3/8" - 1/2"
LEW29102412BK	Double	1,550 lbs	3/8" - 1/2"
LEW29103412BK	Triple	1,550 lbs	3/8" - 1/2"
LEW29101414BK	Single	2,204 lbs	1/2" - 9/16"
LEW29102414BK	Double	2,204 lbs	1/2" - 9/16"
LEW29103414BK	Triple	2,204 lbs	1/2" - 9/16"





Spinlock Rope Clutches

PXR



Part No.	Description	SWL	Line Size
SPPXR0206	Single		3/32" - 1/4"
SPPXR0206/SW	Single, SW-Series		3/32" - 1/4"
SPPXR0206/T	Single, T-Series		3/32" - 1/4"
SPPXR0206/VP	Single, VP series		3/32" - 1/4"
SPPXR0810	Single		5/16" - 3/8"
SPPXR0810/SW	Single, SW-Series		5/16" - 3/8"
SPPXR0810/T	Single, T-Series		5/16" - 3/8"
SPPXR-BRACKET	Mast Mount for PXR Cam Cleat		

XAS



Part No.	Description	SWL	Line Size
SPXAS0408/1	Single	990 lbs	5/32" - 1/4"
SPXAS0408/2	Double	990 lbs	5/32" - 1/4"
SPXAS0408/3	Triple	990 lbs	5/32" - 1/4"
SPXAS0612/1	Single	1,270 lbs	1/4" - 1/2"
SPXAS0612/2	Double	1,270 lbs	1/4" - 1/2"
SPXAS0612/3	Triple	1,270 lbs	1/4" - 1/2"
SPXAS-SMNT	Side Mount Kit		

XTR

Ultra lightweight alloy/composite construction.
Specify Color: "B" black, "S" silver, "W" white.



Part No.	Description	SWL	Line Size
SPXTR0812	Single	2,200 lbs	5/16" - 1/2"
SPXTR-SMNT	Side Mount Kit		

XCS

Aluminum Side Plates.
Specify Color: "B" black, "S" silver, "W" white



Part No.	Description	SWL	Line Size
SPXCS0814/1	Single	2,640 lbs	5/16" - 9/16"
SPXCS0814/2	Double	2,640 lbs	5/16" - 9/16"
SPXCS0814/3	Triple	2,640 lbs	5/16" - 9/16"
SPXCS-SMNT	Side Mount Kit		

XXA

Optimized for high performance line.
Specify Color: "B" black, "S" silver, "W" white.



Part No.	Description	SWL	Line Size
SPXX0812	Single	3,970 lbs	5/16" - 1/2"

Order Spinlock Clutches Online!



XTX



Part No.	Description	SWL	Line Size
SPXTX08/B	Single, Black	1,764 lbs	8mm
SPXTX10/B	Single, Black	2,205 lbs	10mm
SPXTX12/B	Single, Black	2,645 lbs	12mm
SPXTX-GRIP08	Replacement Grip Assembly		
SPXTX-GRIP10	Replacement Grip Assembly		
SPXTX-GRIP12	Replacement Grip Assembly		

Deckvest LITE

The Spinlock Deckvest LITE is an ultra-light inflatable lifejacket built for comfort. One size fits 23.5" - 57". 38lbs buoyancy. USCG Approved. Includes water activated Halkey Roberts Alpha inflator.



Part No. _____
SPDW-LCG2/R*

*Black Standard. Specify PB for Pacific Blue, TW for Tropic White or GP for Grenadine.

More Models Available Online!

Deck Pro Harness



Fits chest sizes 29" - 49"

Part No. _____
SPDW-DPH

Mast Pro Harness



Fits chest sizes 29" - 49"

Part No. _____
SPDW-MPH

Spinlock Clutch Parts Available Online

