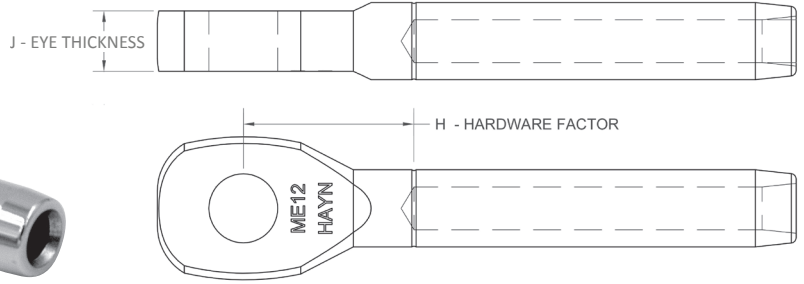


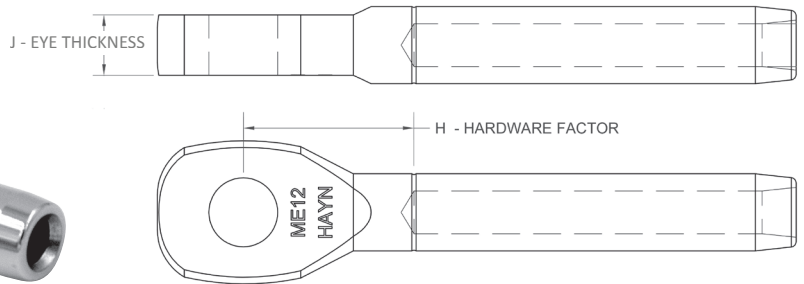


Swage Marine Eyes - 316 Stainless



Part No.	Hayn No.	Wire Diameter		Pin Dia.	H-Hardware Factor	J - Eye Thickness	Weight Lbs.
		In	MM				
SWME0308-3	ME3	3/32"		1/4"	13/16"	7/32"	0.03
SWME0408-3	ME4	1/8"		1/4"	11/16"	7/32"	0.04
SWMEM0410-3	MEM04	5/32"	4mm	5/16"	13/16"	1/4"	0.05
SWME0612-3	ME6	3/16"		3/8"	15/16"	5/16"	0.09
SWMEM0512-3	MEM05		5mm	3/8"	15/16"	5/16"	0.09
SWME0712-3	ME7DS	7/32"		3/8"	1-1/8"	5/16"	0.16
SWME0714-3	ME7	7/32"		7/16"	1-1/8"	3/8"	0.17
SWMEM0616-3	MEM06		6mm	1/2"	1-1/8"	3/8"	0.22
SWME0814-3	ME8DS	1/4"		7/16"	1-5/32"	3/8"	0.24
SWME0816-3	ME8	1/4"		1/2"	1-1/8"	3/8"	0.22
SWMEM0716-3	MEM07	9/32"	7mm	1/2"	1-3/32"	15/32"	0.28
SWMEM0816-3	MEM08A	5/16"	8mm	1/2"	1-3/16"	1/2"	0.44
SWMEM0820-3	MEM08	5/16"	8mm	5/8"	1-5/16"	1/2"	0.37
SWME1220-3	ME12	3/8"		5/8"	1-9/16"	9/16"	0.57
SWMEM1020-3	MEM10		10mm	5/8"	1-9/16"	9/16"	0.57
SWME1424-3	ME14	7/16"		3/4"	1-15/16"	11/16"	0.99
SWMEM1224-3	MEM12		12mm	3/4"	2-7/32"	11/16"	1.12
SWMEM1228-3	MEM12US		12mm	7/8"	2-1/16"	7/8"	1.32
SWME1624-3	ME16A	1/2"		3/4"	2-7/32"	11/16"	1.25
SWME1628-3	ME16	1/2"		7/8"	2-1/16"	7/8"	1.12
SWMEM1428-3	MEM14	9/16"	14mm	7/8"	2-1/4"	13/16"	1.65
SWMEM1632-3	MEM16	5/8"	16mm	1"	2-5/16"	15/16"	2.32
SWMEM1936-3	MEM19	3/4"	19mm	1-1/8"	2-1/2"	1-1/32"	4.14

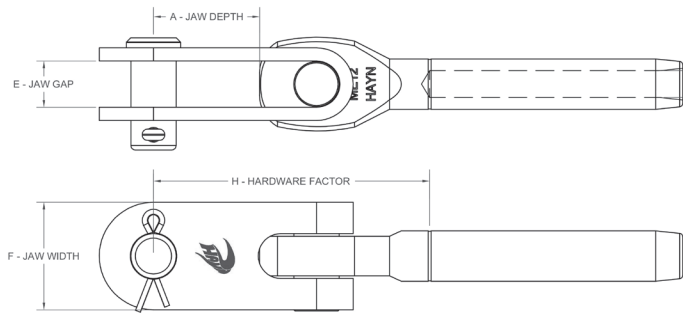
Swage Marine Eyes for Compact Strand Wire - 316 Stainless



Part No.	Hayn No.	Wire Diameter	Pin Dia.	H-Hardware Factor	J - Eye Thickness	Weight Lbs.
SWMECSM0616-3	MEM06-CS	6mm	1/2"	1-1/8"	3/8"	0.24
SWMECSM0820-3	MEM08-CS	8mm	5/8"	1-5/16"	1/2"	0.49
SWMECSM1020-3	MEM10-CS	10mm	5/8"	1-9/16"	9/16"	0.65
SWMECSM1024-3	MEM10US-CS	10mm	3/4"	2-1/16"	11/16"	0.89
SWMECSM1224-3	MEM12-CS	12mm	3/4"	2-7/32"	11/16"	1.26
SWMECSM1228-3	MEM12US-CS	12mm	7/8"	2-1/16"	7/8"	1.40
SWMECSM1428-3	MEM14-CS	14mm	7/8"	2-1/4"	13/16"	1.84
SWMECSM1632-3	MEM16-CS	16mm	1"	2-5/16"	15/16"	2.47
SWMECSM1936-3	MEM19-CS	19mm	1-1/8"	2-1/2"	1-1/32"	4.14



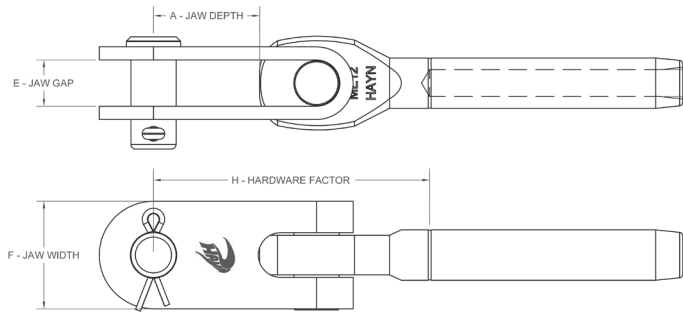
Swage Eye Toggles - 316 Stainless



Wire Diameter

Part No.	Hayn No.	In	MM	Pin Dia.	A-Jaw Depth	E-Jaw Gap	F-Jaw Width	H-Hardware Factor	Weight Lbs.
SWET0408-3	14RT18	1/8"		1/4"	9/16"	1/4"	5/8"	1 5/8"	0.09
SWETM0410-3	516RTM04	5/32"	4mm	5/16"	5/8"	5/16"	3/4"	1 3/4"	0.14
SWET0610-3	516RT316	3/16"		5/16"	19/32"	5/16"	3/4"	1 3/4"	0.17
SWET0612-3	38RT316-X	3/16"		3/8"	1 1/8"	3/8"	7/8"	2 17/32"	0.28
SWETM0616-3	12RTM06-X		6mm	1/2"		1/2"	1 5/32"	2 13/16"	0.57
SWET0712-3	38RT732	7/32"		3/8"	11/16"	3/8"	29/32"	2-3/32"	0.36
SWET0714-3	716RT732	7/32"		7/16"	1 5/8"	7/16"	1 1/16"	2 7/8"	0.55
SWET0816-3	12RT14-X	1/4"		1/2"	1 3/8"	1/2"	1 5/32"	3 1/8"	0.58
SWETM0716-3	12RTM07-X	9/32"	7mm	1/2"	1 3/8"	1/2"	1 5/32"	3 1/16"	0.66
SWETM0816-3	12RTM08-X	5/16"	8mm	1/2"	1 3/8"	1/2"	1 5/32"	3 3/16"	0.78
SWETM0820-3	58RTM08-X	5/16"	8mm	5/8"	1 11/16"	5/8"	1 1/2"	3 13/16"	1.20
SWET1220-3	58RT38-X	3/8"		5/8"	1 11/16"	5/8"	1 1/2"	4 1/16"	1.27
SWETM1020-3	58RTM10-X		10mm	5/8"	1 11/16"	5/8"	1 1/2"	4 1/16"	1.27
SWET1424-3	34RT716-X	7/16"		3/4"	2 1/16"	3/4"	1 7/8"	4 15/16"	2.25
SWETM1224-3	34RTM12-X		12mm	3/4"	2 1/16"	3/4"	1 7/8"	5 1/4"	2.25
SWET1624-3	34RT12-X	1/2"		3/4"	2 1/16"	3/4"	1 7/8"	5 1/4"	2.25
SWETM1428-3	78RTM14	9/16"	14mm	7/8"	2 31/32"	7/8"	2 3/8"	6 7/32"	4.35
SWETM1632-3	1RTM16	5/8"	16mm	1"	2 5/8"	1"	2 1/2"	6 1/8"	5.49
SWETM1936-3	118RTM19	3/4"	19mm	1 1/8"	2 3/4"	1 1/8"	2 3/4"	6 1/2"	9.04
SWETM1940-3	114RTM19	3/4"	19mm	1 1/4"	3 7/8"	1 1/4"	3 1/4"	8 7/8"	12.25

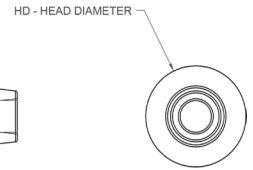
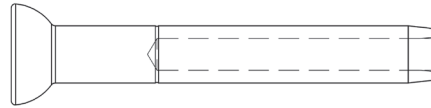
Swage Eye Toggles for Compact Strand Wire - 316 Stainless



Part No.	Hayn No.	Wire Diameter	Pin Dia.	A-Jaw Depth	E-Jaw Gap	F-Jaw Width	H-Hardware Factor	Weight Lbs.
SWETCSM0616-3	12RTM06-CS-X	6mm	1/2"	1 3/8"	1/2"	1 5/32"	3 1/8"	0.58
SWETCSM0820-3	58RTM08-CS-X	8mm	5/8"	1 11/16"	5/8"	1 1/2"	3 13/16"	1.20
SWETCSM1020-3	58RTM10-CS-X	10mm	5/8"	1 11/16"	5/8"	1 1/2"	4 1/16"	1.27
SWETCSM1224-3	34RTM12-CS-X	12mm	3/4"	2 1/16"	3/4"	1 7/8"	5 1/4"	2.25
SWETCSM1228-3	78RTM12-CS	12mm	7/8"	2 7/8"	7/8"	2 3/8"	6 1/32"	4.45
SWETCSM1428-3	78RTM14-CS	14mm	7/8"	2 31/32"	7/8"	2 3/8"	6 7/32"	5.10
SWETCSM1432-3	1RTM14-CS	14mm	1"	2 5/8"	1"	2 1/2"	6 1/8"	6.10
SWETCSM1632-3	1RTM16-CS	16mm	1"	2 5/8"	1"	2 1/2"	6 1/8"	6.50
SWETCSM1636-3	118RTM16-CS	16mm	1-1/8"	2 3/4"	1 1/8"	2 3/4"	6 11/16"	9.25

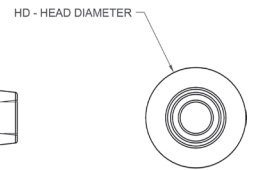
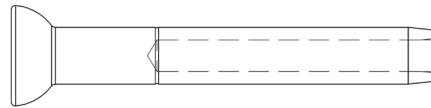


Swage Stemball Terminals - 316 Stainless



Part No.	Hayn No.	Wire Diameter In	MM	Cup Washer	HD-Head Dia	RAD Radius	Weight Lbs.
SWSB04-3	SB18	1/8"		SBC18	0.50"	0.25"	0.02
SWSBM03-3	SBM03		3mm	SBC18	12.6mm	6.3mm	0.02
SWSBM04-3	SBM04	5/32"	4mm	SBC532	17.5mm	8.8mm	0.05
SWSB06-3	SB316	3/16"		SBC316	0.68"	0.34"	0.07
SWSBM05-3	SBM05		5mm	SBC316	17.5mm	8.8mm	0.07
SWSB07-3	SB732	7/32"		SBC732	0.74"	0.40"	0.11
SWSB08-3	SB14	1/4"		SBC14	0.80"	0.42"	0.17
SWSBM06-3	SBM06		6mm	SBC14	20.6mm	10.8mm	0.17
SWSBM07-3	SBM07	9/32"	7mm	SBC932	21.5mm	10.8mm	0.28
SWSBM08-3	SBM08	5/16"	8mm	SBC516	27.5mm	13.8mm	0.36
SWSB12S-3	SB38X1.09	3/8"		SBC38	1.09"	0.54"	0.48
SWSBM10S-3	SBM10-27.5		10mm	SBC38	27.75mm	13.8mm	0.49
SWSB16-3	SB12	1/2"		N/A	1.39"	0.70"	0.78
SWSBM12-3	SBM12		12mm	N/A	35.5mm	17.8mm	0.76
SWSBM14-3	SBM14	9/16"	14mm	N/A	43.4mm	21.8mm	1.42

Swage Stemball Terminals for Compact Strand Wire - 316 Stainless



Part No.	Hayn No.	Wire Diameter	Cup Washer	HD-Head Dia	RAD Radius	Weight Lbs.
SWSBCSM07-3	SBM07-CS	7mm	SBC14	25mm	11mm	0.30
SWSBCSM08-3	SBM08-CS	8mm	SBC516	27.5mm	13.75mm	0.42
SWSBCSM10-3	SBM10-CS	10mm	N/A	31.5mm	15.8mm	0.60

Stemball Cup Washers - 316 Stainless

D-HOLE DIAMETER OD-OUTSIDE DIAMETER

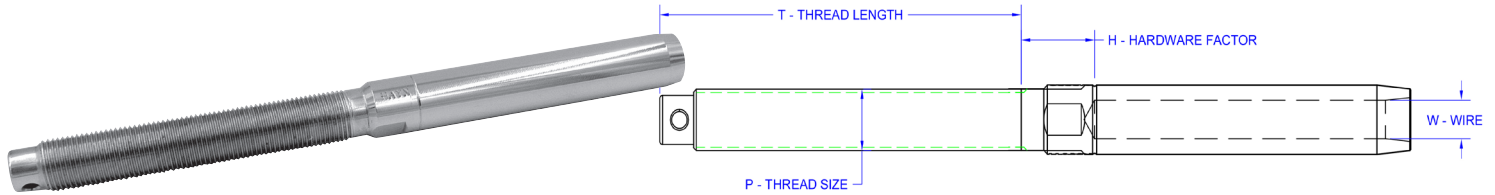


Part No.	Hayn No.	D-Hole	OD-Outside	Weight
SBC04/05-3	SBC18	0.35"	1.02"	0.02
SBC04/05-3	SBC532	0.35"	1.02"	0.02
SBC06-3	SBC316	0.43"	1.02"	0.02
SBC07-3	SBC732	0.52"	1.02"	0.02
SBC08/09-3	SBC14	0.64"	1.02"	0.02
SBC08/09-3	SBC932	0.64"	1.02"	0.02
SBC10/12-3	SBC516	0.79"	1.34"	0.03
SBC10/12-3	SBC38	0.79"	1.34"	0.03



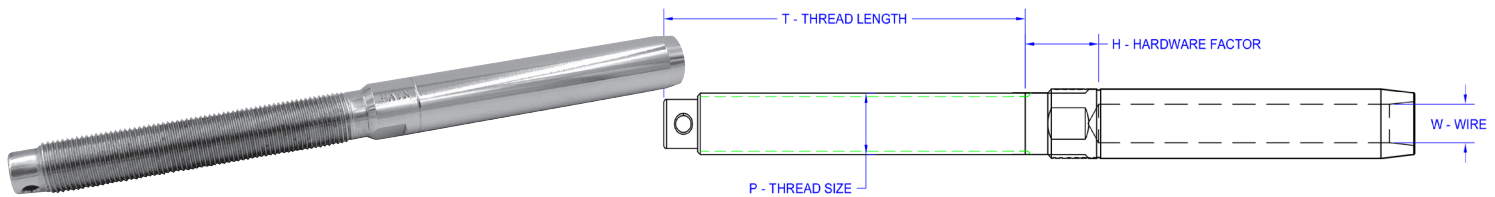


Swage Studs - 316 Stainless



Part No.	Hayn No.	Wire Diameter		P-Thread (UNF)	H-Hardware Factor	T-Thread Length	Weight Lbs.
		In	MM				
SWST0308R-3	14SE332RH	3/32"		1/4"	1/2"	2 1/4"	0.04
SWST0408112R-3	14ASE18RH	1/8"		1/4"	1/2"	3 1/2"	0.05
SWST0408R-3	14SE18RH	1/8"		1/4"	1/2"	2 1/4"	0.04
SWSTM0408R-3	14SEM04RH	5/32"	4mm	1/4"	9/16"	2 1/4"	0.05
SWSTM0410R-3	516SEM04RH	5/32"	4mm	5/16"	11/16"	2 3/8"	0.07
SWST0610R-3	516SE316RH	3/16"		5/16"	3/4"	2 3/8"	0.09
SWST0612R-3	38SE316RH	3/16"		3/8"	11/16"	2 7/8"	0.13
SWSTM0512R-3	38SEM05RH		5mm	3/8"	11/16"	2 7/8"	0.13
SWST0712R-3	38SE732RH	7/32"		3/8"	11/16"	2 7/8"	0.16
SWST0714R-3	716SE732RH	7/32"		7/16"	3/4"	2 3/4"	0.19
SWSTM0612R-3	38SEM06RH		6mm	3/8"	3/4"	2 7/8"	0.20
SWSTM0616R-3	12SEM06RH		6mm	1/2"	3/4"	3 1/4"	0.28
SWST0812R-3	38SE14RH	1/4"		3/8"	3/4"	2 7/8"	0.20
SWST0814R-3	716SE14RH	1/4"		7/16"	3/4"	2 3/4"	0.23
SWST0816R-3	12SE14RH	1/4"		1/2"	3/4"	3 1/4"	0.28
SWSTM0716R-3	12SEM07RH	9/32"	7mm	1/2"	3/4"	3 1/4"	0.33
SWSTM0816R-3	12SEM08RH	5/16"	8mm	1/2"	3/4"	3 1/4"	0.40
SWSTM0820R-3	58SEM08RH	5/16"	8mm	5/8"	3/4"	4"	0.55
SWST1220R-3	58SE38RH	3/8"		5/8"	3/4"	4"	0.64
SWSTM1020R-3	58SEM10RH		10mm	5/8"	3/4"	4"	0.62
SWST1424R-3	34SE716RH	7/16"		3/4"	1"	5"	1.07
SWSTM1224R-3	34SEM12RH		12mm	3/4"	1"	5"	1.19
SWST1624R-3	34SE12RH	1/2"		3/4"	1"	5"	1.16
SWST1628R-3	78SE12RH	1/2"		7/8"	1 3/16"	6"	1.56
SWSTM1428R-3	78SEM14RH	9/16"	14mm	7/8"	1 1/4"	6"	1.90
SWSTM1432R-3	15EM14RH	9/16"	14mm	1"	1 3/8"	6 1/4"	2.22
SWSTM1632R-3	15EM16RH	5/8"	16mm	1"	1 5/16"	6 1/4"	2.73
SWSTM1936R-3	118SE34RH	3/4"	19mm	1 1/8"	1 1/4"	7"	4.22

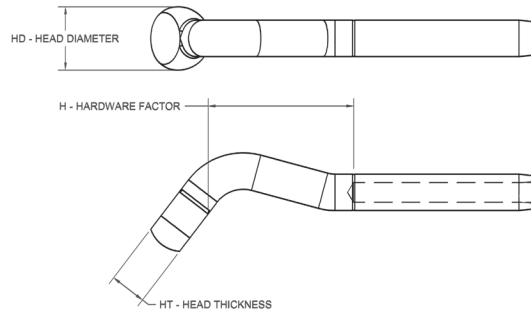
Swage Studs for Compact Strand Wire - 316 Stainless



Part No.	Hayn No.	Wire Diameter	P-Thread (UNF)	H-Hardware Factor	T-Thread Length	Weight Lbs.
SWSTCSM0616R-3	12SEM06RH-CS	6mm	1/2"	3/4"	3 1/4"	0.310
SWSTCSM0716R-3	12SEM07RH-CS	7mm	1/2"	3/4"	3 1/4"	0.370
SWSTCSM0816R-3	12SEM08RH-CS	8mm	1/2"	3/4"	3 1/4"	0.455
SWSTCSM0820R-3	58SEM08RH-CS	8mm	5/8"	3/4"	4"	0.605
SWSTCSM1020R-3	58SEM10RH-CS	10mm	5/8"	13/16"	4"	0.730
SWSTCSM1024R-3	34SEM10RH-CS	10mm	3/4"	1"	5"	0.993
SWSTCSM1224R-3	34SEM12RH-CS	12mm	3/4"	1"	5"	1.291
SWSTCSM1228R-3	78SEM12RH-CS	12mm	7/8"	1 1/8"	6"	1.691
SWSTCSM1428R-3	78SEM14RH-CS	14mm	7/8"	1 7/32"	6"	2.07
SWSTCSM1432R-3	15EM14RH-CS	14mm	1"	1 3/8"	6 3/8"	2.47
SWSTCSM1936R-3	118SEM19RH-CS	19mm	1-1/8"	1 7/32"	7"	4.7
SWSTCSM1940R-3	114SEM19RH-CS	19mm	1-1/4"	1 1/2"	7 7/8"	5.5



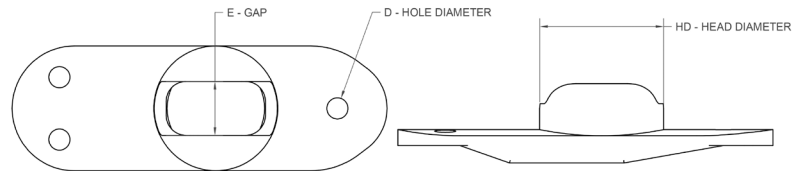
Swage Shroud Terminals - 316 Stainless



Part No.	Hayn No.	Wire Diameter		HD-Head Dia.	HT-Head Thickness	H-Hardware Factor	Weight Lbs.
		In	MM				
SWSHM03-3	SHM03		3mm	0.47"	0.25"	1 3/16"	0.04
SWSHM04-3	SHM04	5/32"	4mm	0.63"	0.31"	1 3/8"	0.07
SWSH06-3	SH316	3/16"		0.74"	0.37"	1 1/2"	0.11
SWSHM05-3	SHM05		5mm	0.74"	0.37"	1 1/2"	0.11
SWSH07-3	SH732	7/32"		0.74"	0.46"	1 3/4"	0.15
SWSHM06-3	SHM06		6mm	0.86"	0.49"	1 7/8"	0.27
SWSH08-3	SH14	1/4"		0.86"	0.49"	1 7/8"	0.27
SWSHM07-3	SHM07	9/32"	7mm	1.10"	0.56"	2 1/4"	0.42
SWSHM08-3	SHM08	5/16"	8mm	1.18"	0.63"	2 1/2"	0.61
SWSH12-3	SH38	3/8"		1.26"	0.70"	2 3/4"	0.82
SWSHM10-3	SHM10		10mm	1.26"	0.70"	2 3/4"	0.83
SWSHM12-3	SHM12		12mm	1.49"	0.94"	3 1/2"	1.43
SWSH16-3	SH12	1/2"		1.49"	0.94"	3 1/2"	1.46

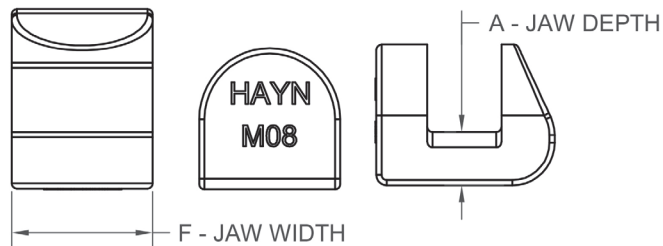
Pay special attention to the head thickness when ordering Shroud & T-Terminals. The head thickness varies by manufacture. Proper sizing is critical for fitting in backing plate. Measurements are provided by the manufacturer; visit <https://hayn.com/product/swage-shroud-terminals/> for manufacturer details.

Shroud Terminal Backing Plates - 316 Stainless



Part No.	Hayn No.	Terminal Wire Size		D-Hole	HD-Head	E-Gap	Weight Lbs.
		In	MM				
SHBP08-3	SHBPCM06	7/32" - 1/4"	6mm	1/4"	1 1/4"	9/16"	0.12
SHBP09-3	SHBPCM07	9/32"	7mm	1/4"	1 5/8"	11/16"	0.27
SHBP10-3	SHBPCM08	5/16"	8mm	1/4"	1 5/8"	11/16"	0.39
SHBP12-3	SHBPCM10	3/8"	10mm	1/4"	1 3/4"	13/16"	0.66
SHBP14-3	SHBPCM12	7/16" - 1/2"	12mm	1/4"	2"	7/8"	1.02

Shroud Terminal Backing Plate Rubber Plugs

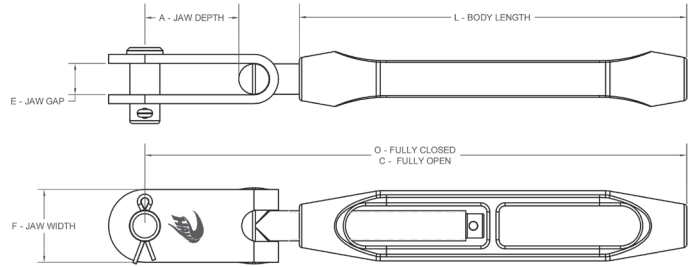


Part No.	Hayn No.	Terminal Wire Size		A-Jaw Depth	F-Jaw Width	Weight Lbs.
		In	MM			
SHBPP08-3	SHRPCM06	1/4"	6mm	1/4"	17/32"	0.12
SHBPP09/10-3	SHRPCM08	9/32"	7mm	3/8"	13/16"	0.02
SHBPP09/10-3	SHRPCM08	5/16"	8mm	3/8"	13/16"	0.02
SHBPP12-3	SHRPCM10	3/8"	10mm	25/64"	13/16"	0.02
SHBPP14-3	SHRPCM12	7/16" - 1/2"	12mm	17/32"	1"	0.03



Open Body Turnbuckles - Eye Toggle Jaw

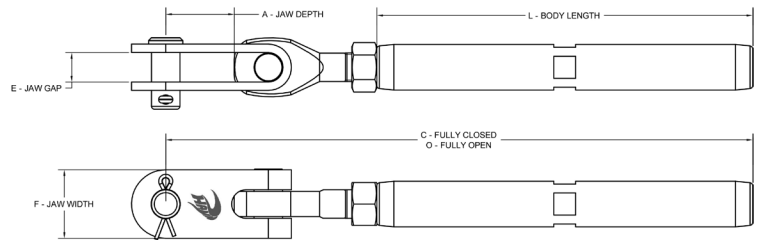
Chromed bronze bodies with left-hand pressed-eye toggles made from 316 grade stainless steel. Supplied clevis pin, and three cotter pins.



Part No.	Hayn No.	Wire	Thread	Pin Dia	Open L	Closed L	Body	Jaw Depth	Jaw Gap	Jaw Width	Weight Lbs.
TBLHET0808-3	14EFBJ	3/32"-5/32"	1/4-28	1/4"	7 9/16"	6 1/6"	4 1/2"	9/16"	1/4"	5/8"	0.21
TBLHET1010-3	516EFBJ	5/32"-3/16"	5/16-24	5/16"	8 7/16"	6 13/16"	5"	5/8"	5/16"	3/4"	0.35
TBLHET1212-3	38EFBJ	3/16"-1/4"	3/8-24	3/8"	9 1/2"	7 3/4"	5 1/2"	3/4"	3/8"	7/8"	0.53
TBLHET1414-3	716EFBJ	7/32"-9/32"	7/16-20	7/16"	1'-0 7/16"	8 11/16"	5 7/8"	1 1/4"	7/16"	1 1/16"	0.89
TBLHET1616-3	12EFBJ-X	1/4"-5/16"	1/2-20	1/2"	1' 1/16"	10 1/16"	6 1/2"	1 7/16"	1/2"	1 5/32"	1.48
TBLHET2020-3	58EFBJ-X	5/16"-3/8"	5/8-18	5/8"	1'-2 7/8"	1'-0 3/8"	8"	1 3/4"	5/8"	1 1/2"	2.75
TBLHET2424-3	34EFBJ-X	7/16"-1/2"	3/4-16	3/4"	1'-6 1/8"	1'-3 1/8"	10"	2 3/16"	3/4"	1 7/8"	5.10
TBLHET2828-3	78EFBJ	1/2"-9/16"	7/8-14	7/8"	1'-10 1/16"	1'-6 5/16"	1'-0 7/16"	2 7/8"	7/8"	2 3/8"	7.45
TBLHET3232-3	1EFBJ	9/16"-5/8"	1-12	1"	2'-0 9/16"	1'-8 1/16"	1'-2 3/16"	2 5/8"	1"	2 1/2"	10.40

Closed Body Turnbuckles - Eye Toggle Jaw

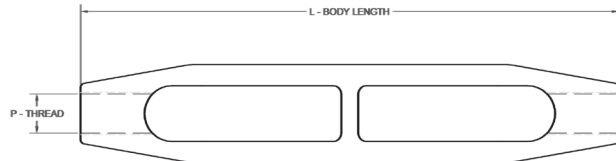
Closed body type 316 SS. Supplied with left-hand eye toggle, clevis pin, cotter pins and one lock nut. 1/4" to 1/2" bodies have hole instead of wrench flat. 5/8" bodies and up include bronze threaded inserts. When mating with a stud remember to order an additional lock nut. See page 30 for locknuts.



Part No.	Hayn No.	Wire	Thread	Pin Dia	Open L	Closed L	Body	Jaw Depth	Jaw Gap	Jaw Width	Weight Lbs.
TBCLHET0808-3	14ETTJT	3/32"-5/32"	1/4-28	1/4"	7 7/17"	5 15/16"	4 1/4"	9/16"	1/4"	21/32"	0.19
TBCLHET1010-3	516ETTJT	5/32"-3/16"	5/16-24	5/16"	8 5/8"	7"	5"	5/8"	5/16"	3/4"	0.34
TBCLHET1212-3	38ETTJT	3/16"-1/4"	3/8-24	3/8"	9 7/8"	8"	5 1/2"	3/4"	3/8"	57/64"	0.48
TBCLHET1616-3	12ETTJT-X	1/4"-5/16"	1/2-20	1/2"	1'-0 5/16"	10 5/16"	6 1/2"	1 7/16"	1/2"	1 5/32"	1.26
TBCLHET2020-3	58ETTJT-X	5/16"-3/8"	5/8-18	5/8"	1'-3 5/8"	1'-1 1/8"	8 1/4"	1 3/4"	5/8"	1 1/2"	2.77
TBCLHET2424-3	34ETTJT-X	7/16"-1/2"	3/4-16	3/4"	1'-6 3/8"	1' 3 3/8"	9 3/4"	2 3/16"	3/4"	1 7/8"	4.74
TBCLHET2828-3	78ETTJT	1/2"-9/16"	7/8-14	7/8"	1'-9 1/8"	1'-5 5/8"	11"	2 7/8"	7/8"	2 3/8"	6.80
TBCLHET3232-3	1ETTJT	9/16"-5/8"	1-12	1"	1'-11 3/4"	1'-8"	1'-1"	2 5/8"	1"	2 1/2"	9.52

Turnbuckle Body Only

Chromed bronze

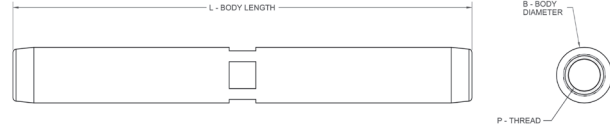


Part No.	Hayn No.	P-Thread	L-Body Length	Weight Lbs.
TB08-3	14FB	1/4-28	4 1/2"	0.10
TB10-3	516FB	5/16-24	5"	0.18
TB12-3	38FB	3/8-24	5 1/2"	0.25
TB14-3	716FB	7/16-20	5 7/8"	0.35
TB16-3	12FB	1/2-20	6 1/2"	0.61
TB20-3	58FB	5/8-18	8"	0.87
TB24-3	34FB	3/4-16	10"	1.93
TB28-3	78FB	7/8-14	1'-0 7/16"	3.44
TB32-3	1FB	1-12	1'-2 3/16"	5.03
TB36-3	118FB	1 1/8-12	1'-4"	7.44
TB40-3	114FB	1 1/4-12	1'-5 7/8"	10.26
TB44-3	138FB	1 3/8-12	1'-7 1/2"	12.69



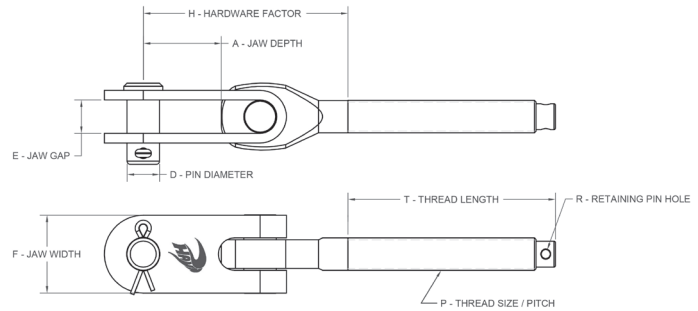
Closed Body Only - 316 Stainless

5/8" and up have bronze inserts.



Part No.	Hayn No.	P-Thread	L-Body Length	B-Body	Weight Lbs.
TBC08S-3	14TB2	1/4-28	2 3/4"	7/16"	0.04
TBC08-3	14TB	1/4-28	4 1/4"	7/16"	0.07
TBC10-3	516TB	5/16-24	5"	35/64"	0.14
TBC12-3	38TB	3/8-24	5 1/2"	5/8"	0.18
TBC16-3	12TB	1/2-20	6 1/2"	3/4"	0.35
TBC20-3	58TB	5/8-18	8 1/4"	1"	1.03
TBC24-3	34TB	3/4-16	9 3/4"	1 1/8"	1.36
TBC28-3	78TB	7/8-14	11"	1 3/8"	2.62
TBC32-3	1TB	1-12	1'-1"	1 1/2"	3.50

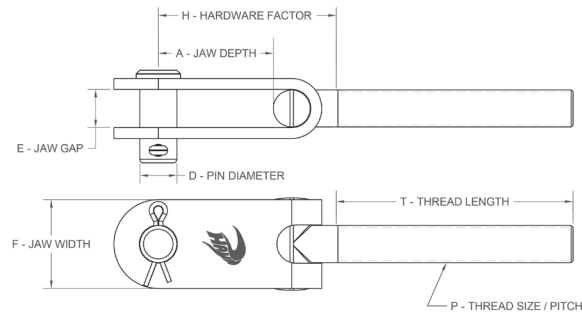
Threaded Eye Toggle Jaws - 316 Stainless



Part No.	Hayn No.	P-Thread	D-Pin	Thread Length	Jaw Depth	Jaw Gap	Jaw Width	Hardware Factor	Retaining Pin	Weight Lbs.
TET0808*-3	14ETJ	1/4-28	1/4"	2 1/4"	9/16"	1/4"	21/32"	1 1/2"	1/16"	0.10
TET1010*-3	516ETJ	5/16-24	5/16"	2 3/8"	5/8"	5/16"	3/4"	1 13/16"	3/32"	0.17
TET1212*-3	38ETJ	3/8-24	3/8"	2 3/4"	3/4"	3/8"	57/64"	2 1/8"	3/32"	0.28
TET1414*-3	716ETJ	7/16-20	7/16"	2 1/2"	3/4"	7/16"	1 1/16"	2 1/4"	1/8"	0.39
TET1616*-3	12ETJ*-X	1/2-20	1/2"	3 1/4"	1 7/16"	1/2"	1 5/32"	3 5/16"	1/8"	0.87
TET2020*-3	58ETJ*-X	5/8-18	5/8"	4"	1 3/4"	5/8"	1 1/2"	4 3/16"	5/32"	1.69
TET2424*-3	34ETJ*-X	3/4-16	3/4"	4 7/8"	2 3/16"	3/4"	1 7/8"	5"	3/16"	3.19

* Specify "R" for right-hand thread and "L" for left-hand thread.

Threaded T-Bolts, Forged w/Toggle - 316 Stainless

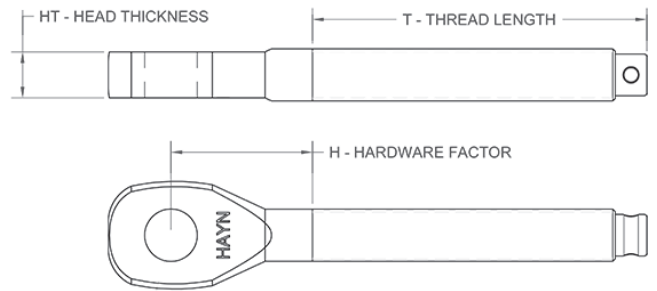


Part No.	Hayn No.	P-Thread	D-Pin	Thread Length	Jaw Depth	Jaw Gap	Jaw Width	Hardware Factor	Retaining Pin	Weight Lbs.
TTT0808*-3	14TJ	1/4-28	1/4"	2 1/4"	3/4"	1/4"	21/32"	1 1/2"	1/16"	0.09
TTT1010*-3	516TJ	5/16-24	5/16"	2 1/2"	13/16"	5/16"	3/4"	1 1/2"	3/32"	0.14
TTT1212*-3	38TJ	3/8-24	3/8"	2 3/4"	1"	3/8"	57/64"	1 3/4"	3/32"	0.24
TTT1616*-3	12TJ	1/2-20	1/2"	3 1/4"	1 7/16"	1/2"	1 5/32"	2 5/16"	1/8"	0.54
TTT2020*-3	58TJ	5/8-18	5/8"	4"	1 15/16"	5/8"	1 1/2"	3"	5/32"	1.04
TTT2424*-3	34TJ	3/4-16	3/4"	5"	2 5/16"	3/4"	1 7/8"	4 3/16"	3/16"	2.01

* Specify "R" for right-hand thread and "L" for left-hand thread.



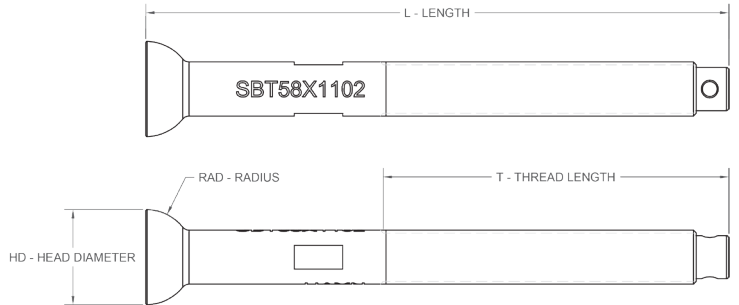
Threaded Eyes - 316 Stainless



Part No.	Hayn No.	Thread	Pin Dia	Thread Length	Head Thickness	Hardware Factor	Weight Lbs.
TTE08L-3	14ERLH	1/4-28	1/4"	2 1/4"	7/32"	9/16"	0.04
TTE10L-3	516ERLH	5/16-24	5/16"	2 3/8"	1/4"	13/16"	0.07
TTE12L-3	38ERLH	3/8-24	3/8"	2 3/4"	5/16"	7/8"	0.13
TTE14L-3	716ERLH	7/16-20	7/16"	2 3/4"	3/8"	1 1/16"	0.19
TTE16L-3	12ERLH	1/2-20	1/2"	3 1/4"	7/16"	1 3/8"	0.29
TTE20L-3	58ERLH	5/8-18	5/8"	4"	15/32"	1 11/16"	0.58
TTE24L-3	34ERLH	3/4-16	3/4"	4 7/8"	23/32"	2"	1.01
TTE28L-3	78ERLH	7/8-14	7/8"	5 1/2"	27/32"	1 15/16"	1.6
TTE32L-3	1ERLH	1-12	1"	6 1/4"	15/16"	2 5/16"	2.30

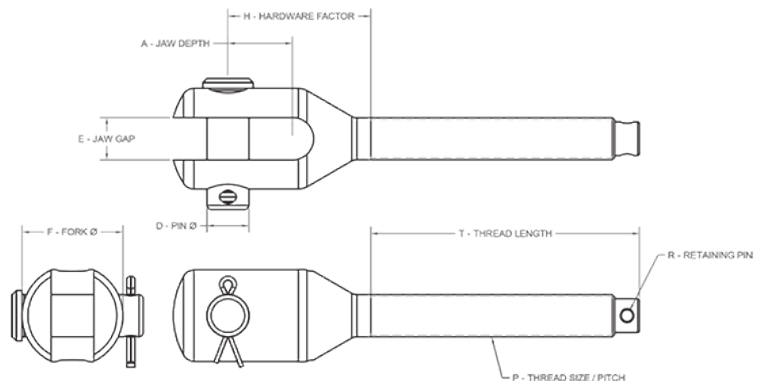
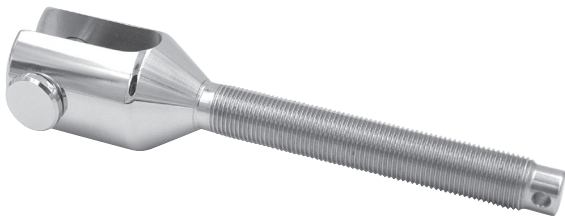
* Contact us to order right-hand or closed body models.

Threaded Stemballs - 316 Stainless



Part No.	Hayn No.	Thread	Head Diameter	Thread Length	Length	Weight Lbs.
TSB12LHX0.693-3	SBT38LHX0.693	3/8-24	0.693"	2 7/8"	4 1/8"	0.12
TSB16LHX1.0-3	SBT12LHX1.000	1/2-20	1"	3 1/4"	5 1/2"	0.33
TSB20LHX1.102-3	SBT58LHX1.102	5/8-18	1.102"	4"	6 3/4"	0.59
TSB24LHX1.102-3	SBT34LHX1.102	3/4-16	1.102"	5"	8 1/8"	0.97

Threaded Forks - 316 Stainless (Special Order)



Part No.	Hayn No.	Thread	Pin Dia	Thread Length	Jaw Depth	Jaw Gap	Fork Dia	Hardware Factor	Weight Lbs.
FJ08*-3	TF14	1/4-28	1/4"	2 1/4"	3/8"	1/4"	9/16"	7/8"	0.06
FJ10*-3	TF516	5/16-24	5/16"	2 1/2"	7/16"	5/16"	23/32"	1 1/4"	0.12
FJ12*-3	TF38	3/8-24	3/8"	2 7/8"	9/16"	3/8"	7/8"	1 7/16"	0.21
FJ16*-3	TF12	1/2-20	1/2"	3 1/4"	11/16"	1/2"	1 1/8"	1 13/16"	0.46
FJ20*-3	TF58	5/8-18	5/8"	4"	15/16"	5/8"	1 1/2"	2 1/8"	1.02
FJ24*-3	TF34	3/4-16	3/4"	5"	1"	3/4"	1 7/8"	2 7/16"	1.92
FJ28*-3	TF78	7/8-14	7/8"	6"	1 5/16"	7/8"	2 1/8"	2 3/4"	2.79
FJ32*-3	TF1	1-12	1"	6 7/8"	1 15/32"	1"	2 1/2"	3 5/16"	3.85

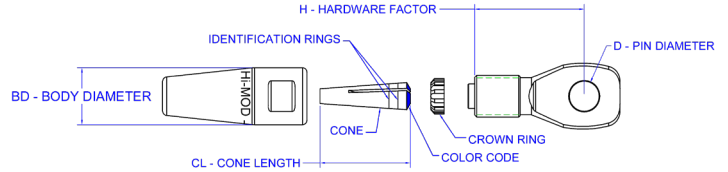
*Specify "R" for right-hand thread and "L" for left-hand thread.



Hi-Mod mechanical terminals utilize a unique crown ring that arranges the wire strands for even spacing around the fitting. This design eliminates the need to bend the wires around the cone, which ensures the cone is in the proper location and keeps the strands from dropping into the cone slots. Both the cone and crown ring are fully reusable. 316 SS

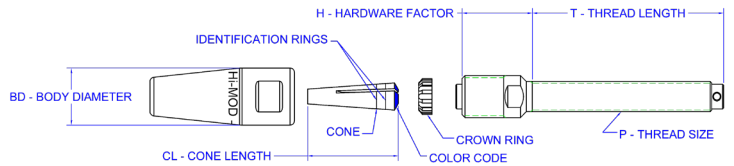


Hi-Mod Eyes - 316 Stainless



Part No.	Hi-Mod No.	Wire Dia.	Pin Dia.	H-Hardware Factor	HT-Head Thickness	Weight Lbs
HMEY0408.....	14CTE18.....	1/8".....	1/4".....	7/8".....	3/16".....	0.04
HMEY0510.....	516CTE532.....	5/32".....	5/16".....	1 1/16".....	1/4".....	0.08
HMEY0612.....	38CTE316.....	3/16".....	3/8".....	1 5/16".....	5/16".....	0.14
HMEY0712.....	38CTE732.....	7/32".....	3/8".....	1 1/2".....	3/8".....	0.14
HMEY0714.....	716CTE732.....	7/32".....	7/16".....	1 1/2".....	3/8".....	0.19
HMEY0812.....	38CTE14.....	1/4".....	3/8".....	1 3/8".....	3/8".....	0.21
HMEY0814.....	716CTE14.....	1/4".....	7/16".....	1 9/16".....	3/8".....	0.20
HMEY0816.....	12CTE14.....	1/4".....	1/2".....	1 5/8".....	7/16".....	0.28
HMEY0916.....	12CTE932.....	9/32".....	1/2".....	1 3/4".....	7/16".....	0.37
HMEY1016.....	12CTE516.....	5/16".....	1/2".....	1 15/16".....	1/2".....	0.52
HMEY1018.....	916CTE516.....	5/16".....	9/16".....	2".....	1/2".....	0.60
HMEY1020.....	58CTE516.....	5/16".....	5/8".....	2 1/4".....	9/16".....	0.69
HMEY1220.....	58CTE38.....	3/8".....	5/8".....	2 5/16".....	9/16".....	0.96
HMEY1424.....	34CTE716.....	7/16".....	3/4".....	2 5/8".....	11/16".....	1.23
HMEY1624.....	34CTE12.....	1/2".....	3/4".....	3 1/8".....	11/16".....	1.96
HMEY1828.....	78CTE916.....	9/16".....	7/8".....	3 3/8".....	7/8".....	2.87
HMEY2032.....	1CTE58.....	5/8".....	1".....	3 7/8".....	15/16".....	4.02
HMEY2436.....	118CTE34.....	3/4".....	1-1/8".....	3 5/8".....	1-1/16".....	4.66
HMEY2840.....	114CTE78.....	7/8".....	1-1/4".....	4 1/4".....	1-1/4".....	6.77
HMEY3244.....	138CTE1.....	1".....	1-3/8".....	5 11/16".....	1-5/16".....	12.45

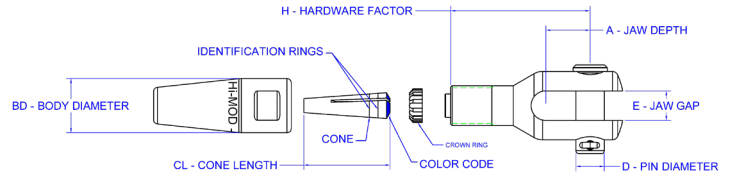
Hi-Mod Studs - 316 Stainless



Part No.	Hi-Mod No.	Wire Dia.	Thread Dia.	H-Hardware Factor	T-Thread Length	Weight Lbs
HMST0408.....	14CTS18.....	1/8".....	1/4".....	5/8".....	2".....	0.05
HMST0508.....	14CTS532.....	5/32".....	1/4".....	11/16".....	2".....	0.07
HMST0510.....	516CTS532.....	5/32".....	5/16".....	7/8".....	2 1/4".....	0.09
HMST0610.....	516CTS316.....	3/16".....	5/16".....	1".....	2 1/4".....	0.14
HMST0612.....	38CTS316.....	3/16".....	3/8".....	7/8".....	2 5/8".....	0.17
HMST0712.....	38CTS732.....	7/32".....	3/8".....	7/8".....	2 5/8".....	0.17
HMST0714.....	716CTS732.....	7/32".....	7/16".....	1".....	2 7/8".....	0.20
HMST0812.....	38CTS14.....	1/4".....	3/8".....	1 1/8".....	2 5/8".....	0.24
HMST0814.....	716CTS14.....	1/4".....	7/16".....	1 1/8".....	2 7/8".....	0.28
HMST0816.....	12CTS14.....	1/4".....	1/2".....	1 1/16".....	3 1/2".....	0.35
HMST0916.....	12CTS932.....	9/32".....	1/2".....	1 1/8".....	3 1/2".....	0.43
HMST1016.....	12CTS516.....	5/16".....	1/2".....	1 1/2".....	3 1/2".....	0.62
HMST1020.....	58CTS516.....	5/16".....	5/8".....	1 1/2".....	3 3/4".....	0.75
HMST1220.....	58CTS38.....	3/8".....	5/8".....	1 3/8".....	3 3/4".....	1.02
HMST1224.....	34CTS38.....	3/8".....	3/4".....	1 1/2".....	4 5/8".....	1.24
HMST1424.....	34CTS716.....	7/16".....	3/4".....	1 1/2".....	4 5/8".....	1.22
HMST1624.....	34CTS12.....	1/2".....	3/4".....	2".....	4 5/8".....	1.95
HMST1628.....	78CTS12.....	1/2".....	7/8".....	2".....	5 1/2".....	2.85
HMST1828.....	78CTS916.....	9/16".....	7/8".....	2 1/8".....	5 1/2".....	2.87
HMST2032.....	1CTS58.....	5/8".....	1".....	2 3/4".....	6 1/4".....	4.35
HMST2436.....	118CTS34.....	3/4".....	1-1/8".....	2 1/2".....	6 3/4".....	5.27
HMST2840.....	114CTS78.....	7/8".....	1-1/4".....	2 7/8".....	7 3/4".....	7.36
HMST3244.....	138CTS1.....	1".....	1-3/8".....	3 5/8".....	8 1/2".....	14.50

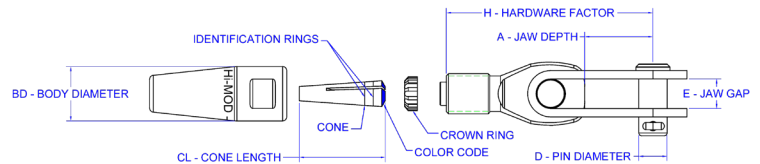


Hi-Mod Forks - 316 Stainless



Part No.	Hi-Mod No.	Wire Dia.	Pin Dia.	A-Jaw Depth	E-Jaw Gap	H-Hardware Factor	Weight lbs
HMFK0408.....	14CTF18.....	1/8".....	1/4".....	1/2".....	1/4".....	1 1/4".....	0.06
HMFK0510.....	516CTF532.....	5/32".....	5/16".....	21/32".....	5/16".....	1 1/2".....	0.13
HMFK0612.....	38CTF316.....	3/16".....	3/8".....	3/4".....	3/8".....	1 11/16".....	0.23
HMFK0712.....	38CTF732.....	7/32".....	3/8".....	3/4".....	3/8".....	1 11/16".....	0.23
HMFK0814.....	716CTF14.....	1/4".....	7/16".....	7/8".....	7/16".....	1 15/16".....	0.37
HMFK0816.....	12CTF14.....	1/4".....	1/2".....	1".....	1/2".....	2 1/8".....	0.46
HMFK0916.....	12CTF932.....	9/32".....	1/2".....	1".....	1/2".....	2 1/8".....	0.56
HMFK1016.....	12CTF516.....	5/16".....	1/2".....	1".....	1/2".....	2 1/8".....	0.72
HMFK1018.....	916CTF516.....	5/16".....	9/16".....	1 1/8".....	9/16".....	2 3/4".....	0.99
HMFK1020.....	58CTF516.....	5/16".....	5/8".....	1 1/4".....	5/8".....	2 3/4".....	1.09
HMFK1220.....	58CTF38.....	3/8".....	5/8".....	1 1/4".....	5/8".....	3".....	1.40
HMFK1424.....	34CTF716.....	7/16".....	3/4".....	1 1/2".....	3/4".....	3 3/8".....	1.97
HMFK1624.....	34CTF12.....	1/2".....	3/4".....	1 1/2".....	3/4".....	3 5/8".....	2.70
HMFK1828.....	78CTF916.....	9/16".....	7/8".....	1 3/4".....	7/8".....	4 1/8".....	3.23
HMFK2032.....	1CTF58.....	5/8".....	1".....	1 15/16".....	1".....	4 7/8".....	4.61
HMFK2436.....	118CTF34.....	3/4".....	1 1/8".....	2 9/32".....	1 1/8".....	5 1/4".....	6.28
HMFK2840.....	114CTF78.....	7/8".....	1 1/4".....	2 1/2".....	1 1/4".....	5 3/4".....	8.75
HMFK3244.....	138CTF1.....	1".....	1 3/8".....	2 3/4".....	1 3/8".....	6 1/2".....	14.25

Hi-Mod Toggle Forks - 316 Stainless



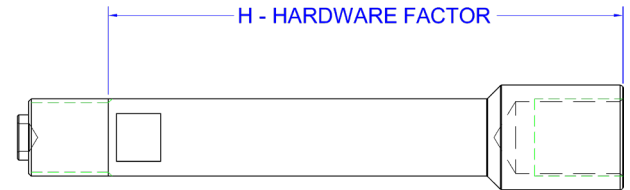
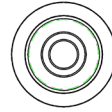
Part No.	Hi-Mod No.	Wire Dia.	Pin Dia.	A-Jaw Depth	E-Jaw Gap	H-Hardware Factor	Weight lbs
HMTF0408.....	14CTT18.....	1/8".....	1/4".....	9/16".....	1/4".....	1 3/4".....	0.10
HMTF0510.....	516CTT532.....	5/32".....	5/16".....	5/8".....	5/16".....	2 1/32".....	0.17
HMTF0612.....	38CTT316.....	3/16".....	3/8".....	3/4".....	3/8".....	2 9/16".....	0.30
HMTF0712.....	38CTT732.....	7/32".....	3/8".....	3/4".....	3/8".....	2 9/16".....	0.30
HMTF0812.....	38CTT14.....	1/4".....	3/8".....	3/4".....	3/8".....	2 5/8".....	0.36
HMTF0816.....	12CTT14.....	1/4".....	1/2".....	1 1/8".....	1/2".....	3 5/16".....	0.63
HMTF0916.....	12CTT932.....	9/32".....	1/2".....	1 1/8".....	1/2".....	3 7/16".....	0.72
HMTF1016.....	12CTT516.....	5/16".....	1/2".....	1 1/8".....	1/2".....	3 5/8".....	0.88
HMTF1018.....	916CTT516.....	5/16".....	9/16".....	1 1/4".....	9/16".....	4".....	2.35
HMTF1020.....	58CTT516.....	5/16".....	5/8".....	1 1/4".....	5/8".....	4 1/2".....	1.41
HMTF1220.....	58CTT38.....	3/8".....	5/8".....	1 1/4".....	5/8".....	4 9/16".....	1.68
HMTF1424.....	34CTT716.....	7/16".....	3/4".....	1 7/8".....	3/4".....	5 13/16".....	2.54
HMTF1624.....	34CTT12.....	1/2".....	3/4".....	1 7/8".....	3/4".....	5 13/16".....	3.01
HMTF1828.....	78CTT916.....	9/16".....	7/8".....	2 7/8".....	7/8".....	7 3/8".....	5.54
HMTF2032.....	1CTT58.....	5/8".....	1".....	2 5/8".....	1".....	7 1/2".....	7.35

Hi-Mods for metric wire sizes also available. Contact us for details.



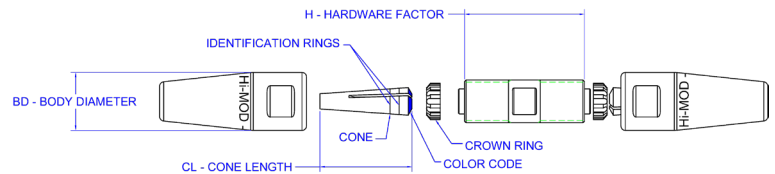


Hi-Mod Extenders - 316 Stainless



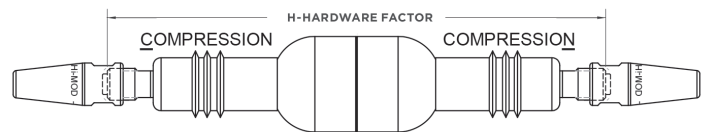
Part No.	Hi-Mod No.	Wire Dia.	H-Hardware Factor	Weight Lbs
HMEX04	CTX18	1/8"	1-3/4"	0.04
HMEX05	CTX532	5/32"	2-1/4"	0.08
HMEX06	CTX316	3/16"	2-7/8"	0.15
HMEX07	CTX732	7/32"	2-7/8"	0.15
HMEX08	CTX14	1/4"	3-1/4"	0.28
HMEX09	CTX932	9/32"	3-7/8"	0.42
HMEX10	CTX516	5/16"	4-1/2"	0.68
HMEX12	CTX38	3/8"	5-5/8"	1.15
HMEX14	CTX716	7/16"	5-5/8"	1.15
HMEX16	CTX12	1/2"	6-3/4"	2.25
HMEX18	CTX916	9/16"	8"	3.34
HMEX20	CTX58	5/8"	9"	4.66

Hi-Mod Splice Links - 316 Stainless



Part No.	Hi-Mod No.	Wire Dia.	H-Hardware Factor	Weight Lbs
HMSL04	CTL18	1/8"	1"	0.06
HMSL05	CTL532	5/32"	1"	0.10
HMSL06	CTL316	3/16"	1 5/16"	0.19
HMSL07	CTL732	7/32"	1 5/16"	0.19
HMSL08	CTL14	1/4"	1 3/8"	0.32
HMSL09	CTL932	9/32"	1 5/8"	0.50
HMSL10	CTL516	5/16"	2 1/8"	0.86
HMSL12	CTL38	3/8"	2 1/2"	1.39
HMSL14	CTL716	7/16"	2 1/2"	1.35
HMSL16	CTL12	1/2"	2 7/8"	2.65
HMSL18	CTL916	9/16"	3 1/4"	4.08
HMSL20	CTL58	5/8"	3 3/4"	5.70

Hi-Mod Insulators



The Failsafe Insulator has features similar to other Hi-Mod fittings and uses an internal ball socket in the main body which threads onto the connecting stud. The nut is insulated by a socket, isolating the antenna from the opposite terminal. If the insulator fails, the nut will bottom out against the stainless housing. While the backstay will loosen, the insulating studs will stay attached to the insulator body allowing the rig to be re-tensioned until a repair can be made.

*Available by Special Order with toggle terminals, eye ends, fork ends, or swage terminals to suit any application.

Part No.	Hi-Mod No.	Wire Dia.	H-Hardware Factor
HMINS06	CTICC316	3/16"	8"
HMINS07	CTICC732	7/32"	8"
HMINS08	CTICC14	1/4"	8 1/2"
HMINS09	CTICC932	9/32"	9 7/8"
HMINS10	CTICC516	5/16"	10 1/2"
HMINS12	CTICC38	3/8"	12 1/4"
HMINS16	CTICC12	1/2"	15 1/8"
HMINS18	CTICC916	9/16"	17 1/2"
HMINS20	CTICC58	5/8"	20 1/4"

Hi-Mods for metric wire sizes also available. Contact us for details.

To order, call 305-758-1074, or go to www.sailingservices.com



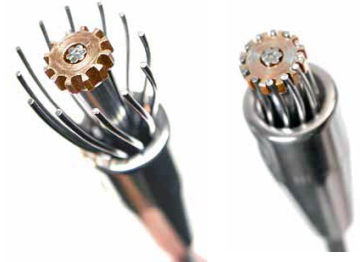
Hi-Mod Cones - 316 Stainless

Wire Diameter	1x19	KOS CS	Dyform	7-Strand
1/8" 3mm	HMC04	HMC04	HMC04	HMCS04
5/32" 4mm	HMC05	HMC05	HMC05	HMCSM04
3/16" 5mm	HMC06	HMC06	HMC06	HMCSM05
7/32" 6mm	HMC07	N/A	N/A	HMCS07
	HMCM06	HMCM06	HMCM06	HMCSM06
1/4" 7mm	HMC08	N/A	N/A	HMCS08
9/32" 7mm	HMC09	HMC09	HMC09	HMCSM07
5/16" 8mm	HMC10	HMC10	HMC10	HMCSM08
3/8" 10mm	HMC12	N/A	N/A	HMCS12
	HMCM10	HMCM10	HMCM10	HMCSM10
7/16" 12mm	HMC14	N/A	N/A	HMCS14
	HMCM12	HMCM12-CS	HMCM12	HMCSM12
1/2" 14mm	HMC16	N/A	N/A	HMCS16
9/16" 14mm	HMC18	HMCCM14*	HMCMDM14**	HMCSM14
5/8" 16mm	HMC20	HMCCM16*	HMCMDM16**	N/A
3/4" 19mm	HMC24	HMCCM19*	HMCMDM19***	N/A
7/8" 22mm	HMCM22	N/A	N/A	N/A
1" 26mm	HMCM26	N/A	N/A	N/A
*1x36 Wire Construction **1X25 Wire Construction ***1x31 Wire Construction				



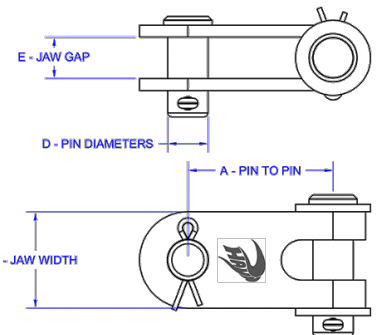
Hi-Mod Crown Rings

Wire Diameter	1x19	KOS CS	Dyform	7-Strand
1/8" 3mm	HMCR04	HMCR04	HMCR04	HMCR04
5/32" 4mm	HMCR05	HMCR05	HMCR05	HMCR05
3/16" 5mm	HMCR06	HMCR06	HMCR06	HMCR06
7/32" 6mm	HMCR07			HMCR07
	HMCR08/6M	HMCR08/6M	HMCR08/6M	HMCR08/6M
1/4" 7mm	HMCR09	HMCR09	HMCR09	HMCR09
9/32" 8mm	HMCR10	HMCR10	HMCR10	HMCR10
5/16" 8mm	HMCR10	HMCR10	HMCR10	HMCR10
3/8" 10mm	HMCR12/14	HMCR12/14	HMCR12/14	HMCR12/14
	HMCR12/14	HMCR12/14	HMCR12/14	HMCR12/14
7/16" 12mm	HMCR16/12M	HMCR16/12M	HMCR16/12M	HMCR16/12M
	HMCR16/12M	HMCR16/12M	HMCR16/12M	HMCR16/12M
1/2" 14mm	HMCR18	HMCR18	HMCR18	HMCR18
9/16" 16mm	HMCR20	HMCR20	HMCR20	HMCR20
5/8" 16mm	HMCR20	HMCR20	HMCR20	HMCR20
3/4" 19mm	HMCR19	HMCR19	HMCR19	HMCR19
*1x36 Constuction **1x31 Dyform				



Double Jaw Toggles - 316 Stainless

Part No.	Pin Dia.	Pin-to-Pin	Jaw Gap	Jaw Width	Weight
DJT08-3	1/4"	7/8"	1/4"	21/32"	0.07
DJT10-3	5/16"	31/32"	5/16"	3/4"	0.11
DJT12-3	3/8"	1 1/4"	3/8"	29/32"	0.17
DJT14-3	7/16"	1 3/4"	7/16"	1 1/16"	0.24
DJT16-3	1/2"	2"	1/2"	1 5/32"	0.47
DJT20-3	5/8"	2 1/2"	5/8"	1 1/2"	0.83
DJT24-3	3/4"	3"	3/4"	1 7/8"	1.49
DJT28-3	7/8"	4"	7/8"	2 3/8"	2.77
DJT32-3	1"	3 7/8"	1"	2 1/2"	3.47
DJT36-3	1 1/8"	4"	1 1/8"	2 3/4"	5.45



Lock Nuts

Part Number	Thread*
NUT06*-3	10-32
NUT08*-3	1/4-28
NUT10*-3	5/16-24
NUT12*-3	3/8-24
NUT16*-3	1/2-20
NUT20*-3	5/8-18
NUT24*-3	3/4-16



18-8 Stainless Steel

* Specify "R" for right-hand thread and "L" for left-hand thread.

Hi-Mods for metric wire sizes also available. Contact us for details.