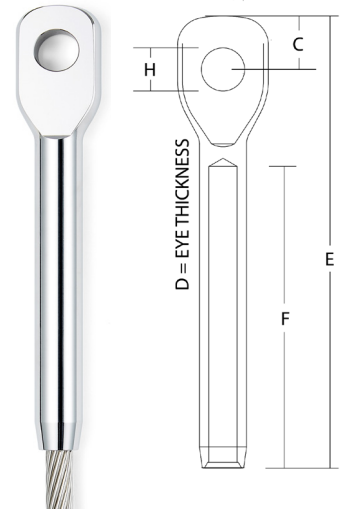




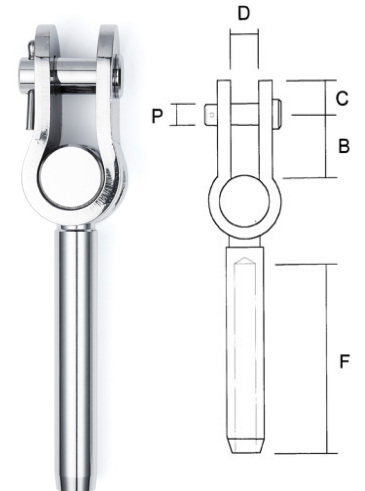
Swage Marine Eyes - 316 Stainless

Part No.	Sta-Lok No.	Wire Diameter		Pin Dia.	C	D	E	F
		In	MM					
SWME0408-4	130N-03	1/8"		1/4"	1/4"	15/64"	2-23/64"	1-17/32"
SWMEM0410-4	039N-04	5/32"	4MM	5/16"	5/16"	5/16"	2-53/64"	1-49/64"
SWMEM0512-4	039N-05	3/16"	5MM	3/8"	3/8"	5/16"	3-19/64"	2-3/64"
SWME0714-4	130N-55	7/32"		7/16"	7/16"	3/8"	4-1/64"	2-33/64"
SWMEM0614-4	039N-06		6MM	7/16"	7/16"	3/8"	4-1/64"	2-33/64"
SWME0816-4	130N-06	1/4"		1/2"	7/16"	3/8"	4-1/64"	2-33/64"
SWMEM0716R-4	039N-07	9/32"	7MM	1/2"	17/32"	7/16"	4-7/16"	2-3/4"
SWMEM0816-4	039N-08-1/2	5/16"	8MM	1/2"	35/64"	7/16"	4-59/64"	3-9/64"
SWMEM0820-4	039N-08-5/8	5/16"	8MM	5/8"	23/32"	19/32"	5-23/64"	3-9/64"
SWME1220-4	130N-10	3/8"		5/8"	5/8"	19/32"	6-3/32"	3-15/16"
SWMEM1020-4	039N-10		10MM	5/8"	5/8"	19/32"	6-3/32"	3-15/16"
SWME1424-4	130-11	7/16"		3/4"	7/8"	3/4"	7-3/4"	5-3/16"
SWMEM1224-4	030-12		12MM	3/4"	7/8"	3/4"	7-3/4"	5-3/16"
SWME1624-4	130-12	1/2"		3/4"	7/8"	3/4"	7-3/4"	5-3/16"
SWMEM1428-4	039-14	9/16"	14MM	7/8"	1"	7/8"	9-9/64"	6-9/64"
SWMEM1632-4	039-16	5/8"	16MM	1"	1-1/4"	15/16"	10-5/16"	6-59/64"
SWMEM1936-4	039-19	3/4"	19MM	1-1/8"	1-7/16"	1-7/64"	11-57/64"	8-17/64"
SWMEM2240-4	039-22	7/8"	22MM	1-1/4"	1-1/4"	32 mm	361.7 mm	241.3 mm
SWMEM2644-4	039-26	1"	26MM	1-3/8"	42.9 mm	34 mm	430 mm	290 mm



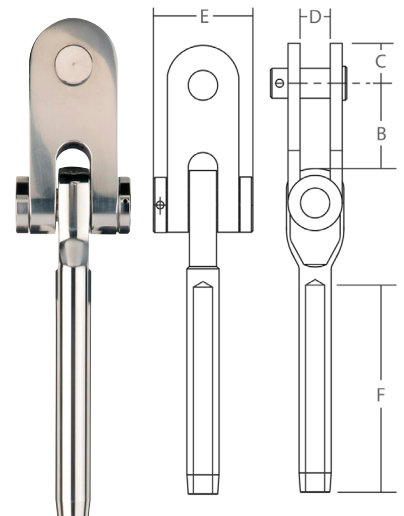
Swage T-Toggles - 316 Stainless

Part No.	Sta-Lok No.	Wire Diameter		Pin Dia.	B	C	D	F
		In	MM					
SWETM0308-4	038-03		3mm	1/4"	9/16"	3/8"	1/4"	1-9/16"
SWET0408-4	132-03	1/8"		1/4"	19/32"	23/64"	1/4"	1-17/32"
SWETM0410-4	038-04	5/32"	4mm	5/16"	3/4"	3/8"	5/16"	1-3/4"
SWETM0512-4	038-05	3/16"	5mm	3/8"	13/16"	7/16"	3/8"	2"
SWET0714-4	132-55	7/32"		7/16"	63/64"	19/32"	29/64"	2-3/8"
SWETM0614-4	038-06		6mm	7/16"	7/16"	1"	9/16"	2-3/8"
SWET0816-4	132-06	1/4"		1/2"	63/64"	19/32"	33/64"	2-3/8"
SWETM0716-4	038-07	9/32"	7mm	1/2"	1-1/8"	5/8"	1/2"	2-3/4"
SWETM0816-4	038-08	5/16"	8mm	1/2"	1-1/8"	5/8"	1/2"	3-1/8"
SWET1220-4	132-10	3/8"		5/8"	1-19/64"	25/32"	41/64"	3-15/16"
SWETM1020-4	038-10		10mm	5/8"	1-5/16"	13/16"	5/8"	3-15/16"



Swage Eye Toggles - 316 Stainless

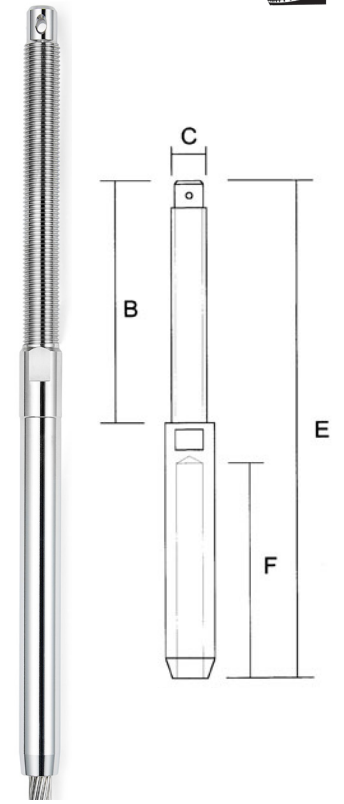
Part No.	Sta-Lok No.	Wire Diameter		Pin Dia.	B	C	D	E	F
		In	MM						
SWET1424-4	132 ET-11	7/16"		3/4"	2-3/16"	1"	7/8"	2-9/16"	5-5/16"
SWETM1224-4	038 ET-12		12mm	3/4"	2 3/16"	1"	7/8"	2 5/8"	5-5/16"
SWET1624-4	132 ET-12	1/2"		3/4"	2-3/16"	1"	7/8"	2-5/8"	5-5/16"
SWETM1428-4	038 ET-14	9/16"	14mm	7/8"	2-1/2"	1-1/4"	1"	3-1/16"	6-1/8"
SWETM1632-4	132 ET-16	5/8"	16mm	1"	2-11/16"	1-3/8"	1-1/8"	3-1/4"	7-1/16"
SWETM1936-4	132 ET-19	3/4"	19mm	1-1/8"	2-3/4"	1-1/2"	1-1/4"	3-1/2"	8-1/4"
SWETM2240-4	132 ET-22	7/8"	22mm	1-1/4"	3-1/8"	1-3/4"	1-3/8"	3-7/8"	9-1/2"
SWETM2644-4	038 ET-26	1"	26mm	1-3/8"	3-7/8"	56.5 mm	1-1/2"	4-5/16"	290 mm





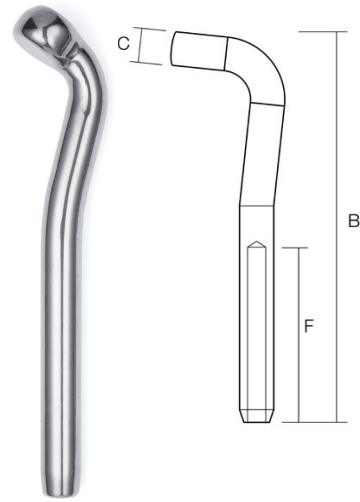
Swage Studs - 316 Stainless

Part No.	Sta-Lok No.	Wire Diameter		Thread Dia.	B	E	F
		In	MM				
SWST0408R-4	151-03	1/8"		1/4"	2-13/64"	4-1/4"	1-17/32"
SWSTM0408R-4	051-04-1/4	5/32"	4mm	1/4"	2-13/16"	4-11/16"	1-3/4"
SWSTM0410R-4	051-04	5/32"	4mm	5/16"	2-23/64"	4-7/8"	1-3/4"
SWSTM0510R-4	051-05-5/16	3/16"	5mm	5/16"	2-23/64"	5-1/32"	2"
SWSTM0512R-4	051-05	3/16"	5mm	3/8"	2-5/8"	5-1/4"	2"
SWST0712R-4	151-55	7/32"		3/8"	2-5/8"	5-31/32"	2-3/8"
SWST0714R-4	151-55-7/16	7/32"		7/16"	2-61/64"	6-1/4"	2-3/8"
SWSTM0612R-4	051-06-3/8		6mm	3/8"	2-5/8"	6"	2-3/8"
SWSTM0614R-4	051-06		6mm	7/16"	2-15/16"	6-1/4"	2-3/8"
SWST0812R-4	151-06-3/8	1/4"		3/8"	2-5/8"	5-31/32"	2-1/2"
SWST0814R-4	151-06	1/4"		7/16"	2-61/64"	6-1/2"	2-1/2"
SWST0816R-4	151-06-1/2	1/4"		1/2"	3-3/16"	6-3/8"	2-1/2"
SWSTM0714R-4	051-07-7/16	9/32"	7mm	7/16"	2-61/64"	6-35/64"	2-3/4"
SWSTM0716R-4	051-07	9/32"	7mm	1/2"	3-3/16"	6-25/32"	2-3/4"
SWSTM0816R-4	051-08-1/2	5/16"	8mm	1/2"	3-3/16"	7-3/16"	3-5/32"
SWSTM0820R-4	051-08-5/8	5/16"	8mm	5/8"	3 15/16"	7 15/16"	3 1/8"
SWSTM1020R-4	051-10		10mm	5/8"	3-15/16"	8-15/16"	3-15/16"
SWST1220R-4	151-10	3/8"		5/8"	3-15/16"	8-15/16"	3-15/16"
SWST1424R-4	151-11	7/16"		3/4"	4-7/8"	11"	4-3/4"
SWSTM1224R-4	051-12		12mm	3/4"	4-7/8"	11"	4-3/4"
SWST1624R-4	151-12	1/2"		3/4"	4-7/8"	11"	4-3/4"
SWSTM1428R-4	051-14	9/16"	14mm	7/8"	5-33/64"	12-19/32"	5-1/2"
SWSTM1632R-4	051-16	5/8"	16mm	1"	6-3/8"	14-9/32"	6-5/16"
SWSTM1936R-4	051-19	3/4"	19mm	1-1/8"	6-1/2"	15-29/32"	7-1/2"
SWSTM2240-4	051-22	7/8"	22mm	1-1/4"	8-7/16"	500 mm	241.3 mm
SWSTM2644R-4	051-26	1"	26mm	1-3/8"	8-11/16"	567.49 mm	290 mm



Swage Shroud Terminals - 316 Stainless

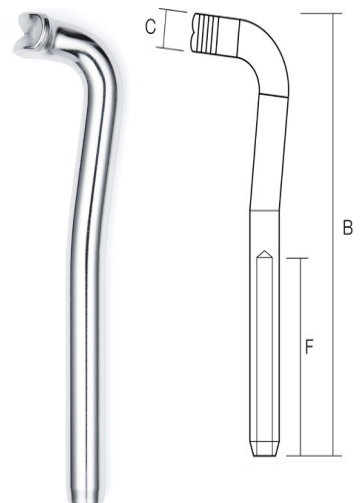
Part No.	Sta-Lok No.	Wire Diameter		B	C	F
		In	MM			
SWSHM04-4	045-04	5/32"	4mm	88.2mm	7.5mm	1-3/4"
SWSHM05-4	045-05	3/16"	5mm	103.8mm	9.1mm	2"
SWSHM06-4	045-06		6mm	130mm	12.5mm	2-1/2"
SWSHM07-4	045-07	9/32"	7mm	149mm	14.3mm	2-3/4"
SWSHM08-4	045-08	5/16"	8mm	168mm	16mm	3-1/8"
SWSHM10-4	045-10		10mm	197mm	17.8mm	3-15/16"
SWSHM12-4	045-12		12mm	241mm	21.4mm	5-3/16"



Pay special attention to the head thickness when ordering Shroud Terminals (Diagram Label C). The head thickness varies by manufacturer. Proper sizing is critical for fitting in backing plate. Measurements are provided by the manufacturer; visit <https://www.stalok.com/product/swage-shroud/> for manufacturer details.

Swage T-Terminals - 316 Stainless

Part No.	Sta-Lok No.	Wire Diameter		B	C	F
		In	MM			
SWTBM04-4	044-04	5/32"	4mm	101mm	7.5mm	1-3/4"
SWTBM05-4	044-05	3/16"	5mm	112mm	9mm	2"
SWTBM06-4	044-06		6mm	136mm	12.6mm	2-1/2"
SWTB08-4	144-06	1/4"		136mm	12.6mm	2-1/2"



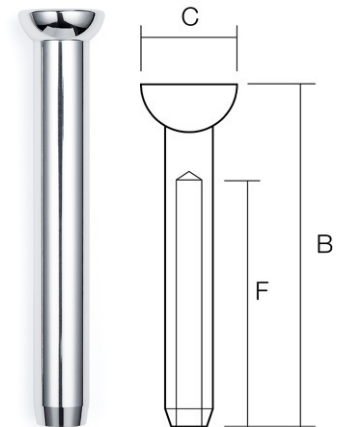
Pay special attention to the head thickness when ordering T-Terminals (Diagram Label C). The head thickness varies by manufacture. Proper sizing is critical for fitting in backing plate. Measurements are provided by the manufacturer; visit <https://www.stalok.com/product/swage-t/> for manufacturer details.



Swage Stemballs - 316 Stainless

*Cup washers sold separately

Part No.	Sta-Lok No.	Wire Diameter		Cup Washer	B	C	F
		In	MM				
SWSBM04-4	142-04	5/32"	4mm	SBC05-4	2-3/4"	37/64"	1-3/4"
SWSBM05-4	042-05	3/16"	5mm	SBC06-4	3-1/16"	11/16"	2"
SWSBM05S-4	042-05Z	3/16"	5mm	SBC06-4	3-1/16"	9/16"	2"
SWSB07-4	142-55	7/32"		SBC07/08/09-4	3-2/64"	53/64"	2-3/8"
SWSBM06-4	042-06		6mm	SBC07/08/09-4	3-7/16"	13/16"	2-1/2"
SWSB08-4	142-06	1/4"		SBC07/08/09-4	3-27/64"	53/64"	2-3/8"
SWSB08S-4	142-07Z	1/4"		SBC07/08/09-4	3-13/16"	1-1/16"	2-3/8"
SWSBM07-4	142-07	9/32"	7mm	SBC07/08/09-4	3-13/16"	27/32"	2-3/4"
SWSBM08-4	042-08	5/16"	8mm	SBC10/12-4	4-1/4"	1-3/64"	3-5/32"
SWSB12-4	142-10	3/8"		SBC10/12-4	5-7/64"	1-3/32"	3-15/16"
SWSBM10-4	042-10		10mm	SBC10/12-4	5-7/8"	1-1/16"	3-15/16"
SWSB14-4	142-11	7/16"		N/A	6-3/4"	1-9/64"	4-3/4"
SWSBM12-4	042-12		12mm	N/A	6-3/4"	1-5/16"	4-3/4"
SWSBM12S-4	042-12E		12mm	N/A	6-11/16"	1-1/8"	4-3/4"
SWSB16-4	142-12	1/2"		N/A	6-3/4"	1-9/64"	4-3/4"
SWSBM14-4	042-14	9/16"	14mm	N/A	7-7/8"	1-1/4"	5-1/2"
SWSBM16-4	042-16	5/8"	16mm	N/A	8-11/16"	1-9/16"	6-5/16"
SWSBM19-4	042-19	3/4"	19MM	N/A	301.715 MM	2-1/8"	209 MM



Stemball Cup Washers - 316 Stainless

Part No.	Sta-Lok No.	Wire Diameter		A	B
		In	MM		
SBC05-4	142C-4	5/32"	4mm	23/64"	1-1/32"
SBC06-4	142C-5	3/16"	5mm	7/16"	1-1/32"
SBC07/08/09-4	142C-6-7	7/32", 1/4", 9/32"	6mm, 7mm	5/8"	1-1/32"
SBC10/12-4	142C-8-10	5/16", 3/8"	8mm, 10mm	25/32"	1-11/32"



STA-LOK®



Open Body Turnbuckles - Forged T-Toggle

Chromed bronze bodies with left-hand forged t-toggles made from 316 grade stainless steel. Supplied with clevis pin, and three cotter pins.



Part No.	Sta-Lok No.	UNF Thread	Pin Dia.	Jaw Gap	Min Breaking Load LBF
TBLH0808-4	UB20-14	1/4"	1/4"	19/64"	2907
TBLH1010-4	UB20-516	5/16"	5/16"	23/64"	4671
TBLH1212-4	UB20-38	3/8"	3/8"	27/64"	7176
TBLH1414-4	UB20-716	7/16"	7/16"	31/64"	9675
TBLH1616-4	UB20-12	1/2"	1/2"	33/64"	13,162

Supajust Turnbuckles - Forged T-Toggle

Supajust Turnbuckles feature high specification polished 316 stainless bodies with threaded bronze inserts permanently sealed in each end. The result ensures superb adjustment without the risk of stainless on stainless thread galling. Includes left hand forged t-toggle made from 316 stainless. Supplied with clevis pin, and three cotter pins.



Part No.	Sta-Lok No.	UNF Thread	Pin Dia.	Jaw Depth	Jaw Gap	Overall Width
TBSJLH1212-4	US20-38	3/8"	3/8"	1-7/64"	15/32"	7/8"
TBSJLH1414-4	US20-716	7/16"	7/16"	1-17/64"	33/64"	1-1/8"
TBSJLH1616-4	US20-12	1/2"	1/2"	1-11/32"	33/64"	1-1/4"
TBSJLH2020-4	US20-58	5/8"	5/8"	1-1/16"	3/4"	1-1/2"

Supajust Eye Turnbuckles - Eye-Toggle Jaw

Supajust Turnbuckles feature high specification polished 316 stainless bodies with threaded bronze inserts permanently sealed in each end. The result ensures superb adjustment without the risk of stainless on stainless thread galling. Includes left hand eye-toggle made from 316 stainless. Supplied with clevis pin, and three cotter pins.



Part No.	Sta-Lok No.	UNF Thread	Pin Dia.	Jaw Depth	Jaw Gap	Overall Width
TBSJLHET2424-4	S20 ET-34	3/4"	3/4"	2-1/4"	7/8"	2-9/16"
TBSJLHET2828-4	S20 ET-78	7/8"	7/8"	2- 1/2"	1"	3-1/16"
TBSJLHET3232-4	S20 ET-100	1"	1"	2-11/16"	1-1/8"	3-1/4"
TBSJLHET3636-4	S20 ET-118	1-1/8"	1-1/8"	2-3/4"	1-1/4"	3-1/2"
TBSJLHET4040-4	S20 ET-114	1-1/4"	1-1/4"	3-1/8"	1-3/8"	3-7/8"
TBSJLHET4444-4	S20 ET-138	1-3/8"	1-3/8"	3-7/8"	1-1/2"	4-5/16"

Supajust Turnbuckles Body Only

Supajust Turnbuckles feature high specification polished 316 stainless bodies with threaded bronze inserts permanently sealed in each end. The result ensures superb adjustment without the risk of stainless on stainless thread galling.

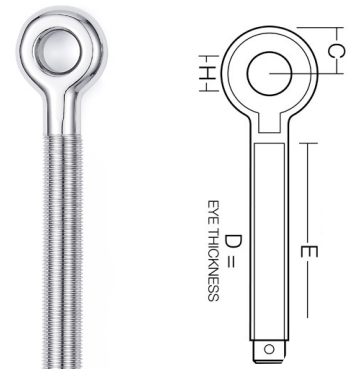


Part No.	Sta-Lok No.	UNF Thread	Body Length	Body Dia.
TBSJ16-4	S19-12	1/2"	7-5/32"	7/8"
TBSJ20-4	S19-58	5/8"	8-5/16"	1 1/8"
TBSJ24-4	S19-34	3/4"	9-3/4"	1 1/4"
TBSJ28-4	S19-78	7/8"	11-1/64"	1 3/8"
TBSJ32-4	S19-100	1"	12-13/32"	1 5/8"
TBSJ36-4	S19-118	1-1/8"	14 3/8"	1 7/8"
TBSJ40-4	S19-114	1-1/4"	17 1/8"	2 1/8"
TBSJ44-4	S19-138	1-3/8"	17 5/8"	2 1/2"



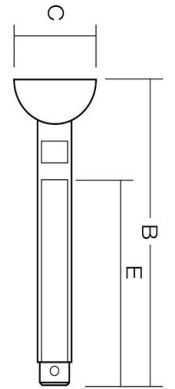
Threaded Eyes - 316 Stainless

Part No.	Sta-Lok No.	UNF Thread	Pin Dia.	C	D	E
TTE08L-4	C770-14	1/4" LH	1/4"	21/64"	15/64"	1-55/64"
TTE10L-4	C770-516	5/16" LH	5/16"	3/8"	1/4"	2-1/4"
TTE12L-4	C770-38	3/8" LH	3/8"	7/16"	19/64"	2-43/64"
TTE14L-4	C770-716	7/16" LH	7/16"	15/32"	23/64"	2-61/64"
TTE16L-4	C770-12	1/2" LH	1/2"	17/32"	29/64"	3-35/64"
TTE20L-4	C770-58	5/8" LH	5/8"	23/32"	17/32"	3-15/64"
TTE24L-4	C770-34	3/4" LH	3/4"	51/64"	45/64"	4-23/32"
TTE28L-4	C770-78	7/8"	7/8"	1"	53/64"	5-33/64"
TTE32L-4	C770-100	1"	1"	1-1/4"	31/32"	6-9/64"
TTE40L-4	C770-118	1-1/8"	1-1/8"	1-7/16"	1-5/64"	7-3/32"
TTE44L-4	C770-114	1-1/4"	1-1/4"	1-1/2"	1-13/64"	8-15/32"



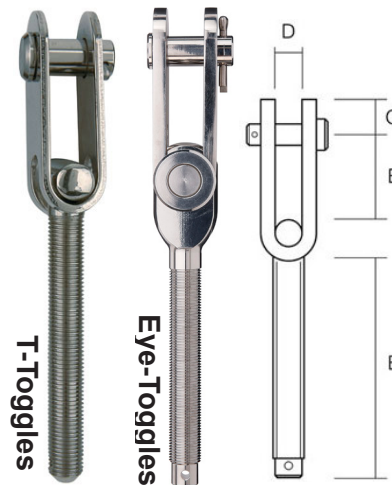
Threaded Stemballs - 316 Stainless

Part No.	Sta-Lok No.	UNF Thread	B	C	E
TSB08M14.6-4	186-14	1/4"	3-17/64"	9/16"	2-1/4"
TSB10M18-4	186-516	5/16"	3-1/2"	11/16"	2-31/64"
TSB12M20.3-4	186-38	3/8"	4-1/4"	13/16"	2-23/32"
TSB14M20.3-4	186-716	7/16"	4-11/16"	13/16"	2-61/64"
TSB16M26-4	186-12	1/2"	4-59/64"	1"	3-5/32"
TSB20M27-4	186-58	5/8"	5-5/8"	1-1/16"	3-55/64"
TSB24M28-4	186-34	3/4"	7-3/64"	1-1/8"	5-3/64"
TSB28M34-4	186-78	7/8"	210.24 MM	1-5/16"	5-1/2"
TSB32M39.5-4	186-100	1"	247 MM	1-9/16"	6-1/8"



Threaded T-Toggles - 316 Stainless

Part No.	Sta-Lok No.	UNF Thread	Pin Dia.	B	C	D	E	Overall Width
TTT1616L-4	U18-12	1/2" LH	1/2"	1-11/32"	43/64"	33/64"	3-3/16"	1-1/4"
TTT1616R-4	U15-12	1/2" RH	1/2"	1-11/32"	43/64"	33/64"	3-3/16"	1-1/4"
TTT2020L-4	U18-58	5/8" LH	5/8"	1-1/16"	25/32"	3/4"	3-57/64"	1-1/2"
TTT2020R-4	U15-58	5/8" RH	5/8"	1-1/16"	25/32"	3/4"	3-57/64"	1-1/2"

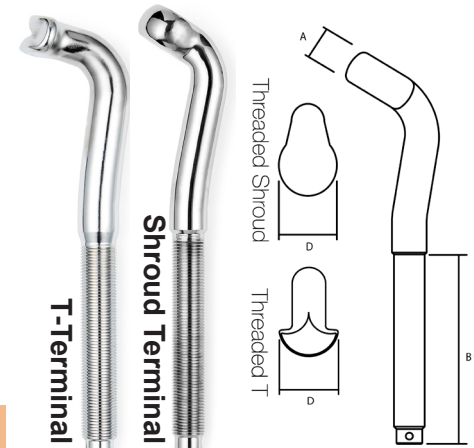


Threaded Eye-Toggles - 316 Stainless

Part No.	Sta-Lok No.	UNF Thread	Pin Dia.	B	C	D	E	Overall Width
TET2424L-4	ET18-34	3/4" LH	3/4"	2-1/4"	1"	7/8"	4-7/8"	2-9/16"
TET2424R-4	ET15-34	3/4" RH	3/4"	2-1/4"	1"	7/8"	4-7/8"	2-9/16"
TET2828L-4	ET18-78	7/8" LH	7/8"	2-1/2"	1-1/4"	1"	5-1/2"	3-1/16"
TET2828R-4	ET15-78	7/8" RH	7/8"	2-1/2"	1-1/4"	1"	5-1/2"	3-1/16"
TET3232L-4	ET18-100	1" LH	1"	2-11/16"	1-3/8"	1-1/8"	6-1/8"	3-1/4"
TET3232R-4	ET15-100	1" RH	1"	2-11/16"	1-3/8"	1-1/8"	6-1/8"	3-1/4"
TET3636L-4	ET18-118	1-1/8" LH	1-1/8"	2-3/4"	1-1/2"	1-1/4"	7-1/16"	3-1/2"
TET3636R-4	ET15-118	1-1/8" RH	1-1/8"	2-3/4"	1-1/2"	1-1/4"	7-1/16"	3-1/2"
TET4040L-4	ET18-114	1-1/4" LH	1-1/4"	3-1/8"	1-3/4"	1-3/8"	8-7/16"	3-7/8"
TET4040R-4	ET15-114	1-1/4" RH	1-1/4"	3-1/8"	1-3/4"	1-3/8"	8-7/16"	3-7/8"

Threaded T-Terminals - 316 Stainless

Part No.	Sta-Lok No.	UNF Thread	A	B	D
TTS08-4	187-14	1/4" LH	6.3mm	48mm	13.5mm
TTS10-4	187-516	5/16" LH	9.0mm	57mm	18.5mm
TTS12-4	187-38	3/8" LH	12.6mm	62mm	27.5mm
TTS14-4	187-716	7/16" LH	12.6mm	67mm	27.5mm
TTS16-4	187-12	1/2" LH	14.2mm	80mm	29.4mm
TTS20-4	187-58	5/8" LH	17.8mm	100mm	35.5mm



Threaded Shroud Terminals - 316 Stainless

Part No.	Sta-Lok No.	UNF Thread	A	B	D
TSH16-09-4	188-12	1/2" LH	14.4mm	90mm	27mm
TSH20-12-4	188-858	5/8" LH	16mm	90mm	30mm
TSH20-10-4	188-1058	5/8" LH	17.5mm	100mm	32mm
TSH24-12-4	188-34	3/4" LH	21.4mm	120mm	38mm

Pay special attention to the head thickness when ordering Shroud & T-Terminals (Diagram Label A). The head thickness varies by manufacture. Proper sizing is critical for fitting in backing plate. Visit <https://www.stalok.com/product-category/marine/threaded-end-fittings/> for manufacturer details.



The Sta-Lok system is a simple mechanical method of terminating 1x19, 7x7, 7x19, and compact strand wire ropes. Suitable for both right-hand lay and left-hand lay construction.

Hand fitted instead of machine swaged.

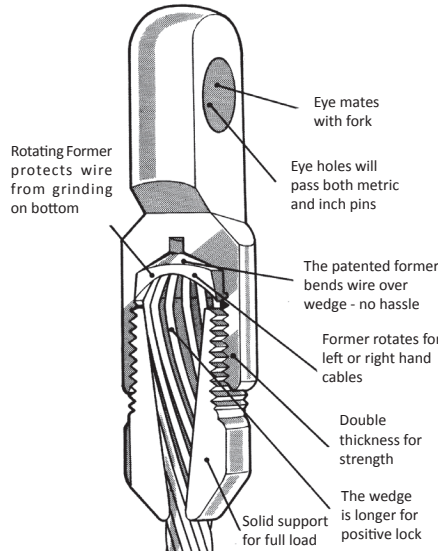
The Sta-Lok Terminal can be fitted on site using simple hand tools.

The Sta-Lok Terminal will work under constant loading and variable shock loading. In all situations, the Sta-Lok terminal has proven to be totally reliable.

Reusable.

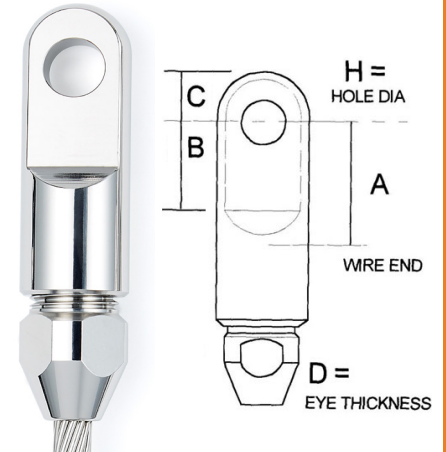
Manufactured from Type 316 stainless steel. All Sta-Lok Terminals are reusable* and require no servicing; they have a long life and very low maintenance costs.

*A new wedge component should be used. All Sta-Lok fittings for 1x19 wire. See page 7 for other wire constructions.



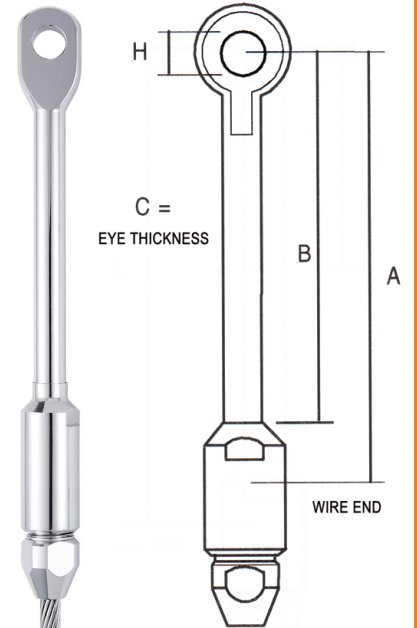
Sta-Lok Eyes - 316 Stainless

Part No.	Sta-Lok No.	Wire	H (Pin)	A	B	C	D
SLEY0408.....	033-03.....	1/8" / 3mm.....	1/4".....	45/64".....	25/64".....	1/4".....	13/64"
SLEY0510.....	033-04.....	5/32" / 4mm.....	5/16".....	51/64".....	37/64".....	5/16".....	15/64"
SLEYM0512.....	033-05.....	5mm.....	3/8".....	15/16".....	11/16".....	7/16".....	5/16"
SLEY0612.....	133-05.....	3/16".....	3/8".....	1-1/64".....	45/64".....	13/32".....	19/64"
SLEY0712.....	133-55-3/8.....	7/32".....	3/8".....	1-7/32".....	7/8".....	15/32".....	3/8"
SLEY0714.....	133-55.....	7/32".....	7/16".....	1-7/32".....	7/8".....	15/32".....	3/8"
SLEY0716.....	133-55-1/2.....	7/32".....	1/2".....	1-7/32".....	7/8".....	1/2".....	3/8"
SLEYM0616.....	033-06.....	6mm.....	1/2".....	1-4/16".....	7/8".....	1/2".....	3/8"
SLEY0812.....	133-06-3/8.....	1/4".....	3/8".....	1-7/32".....	7/8".....	1/2".....	3/8"
SLEY0814.....	133-06-7/16.....	1/4".....	7/16".....	1-7/32".....	7/8".....	15/32".....	3/8"
SLEY0816.....	133-06.....	1/4".....	1/2".....	1-7/32".....	7/8".....	1/2".....	3/8"
SLEY0916.....	033-07.....	9/32" / 7mm.....	1/2".....	1-9/32".....	31/32".....	17/32".....	27/64"
SLEY1016.....	033-08-1/2.....	5/16" / 8mm.....	1/2".....	1-13/32".....	1-1/16".....	9/16".....	15/32"
SLEY1020.....	033-08-5/8.....	5/16" / 8mm.....	5/8".....	1-13/32".....	1-1/16".....	5/8".....	17/32"
SLEYM1020.....	033-10.....	10mm.....	5/8".....	1-5/8".....	1-1/8".....	11/16".....	9/16"
SLEYM1024.....	033-10-3/4.....	10mm.....	3/4".....	1-5/8".....	1-1/8".....	3/4".....	9/16"
SLEY1220.....	133-10.....	3/8".....	5/8".....	1-9/16".....	1-5/32".....	45/64".....	17/32"
SLEY1224.....	133-10-3/4.....	3/8".....	3/4".....	1-5/8".....	1-5/32".....	3/4".....	17/32"
SLEY1424.....	133-11.....	7/16".....	3/4".....	1-11/16".....	1-5/16".....	57/64".....	3/4"
SLEYM1224.....	033-12.....	12mm.....	3/4".....	1 11/16".....	1-5/16".....	7/8".....	3/4"
SLEY1624.....	133-12.....	1/2".....	3/4".....	1-11/16".....	1-5/16".....	57/64".....	3/4"
SLEY1628.....	133-12-7/8.....	1/2".....	7/8".....	1-11/16".....	1-5/16".....	15/16".....	3/4"
SLEY1828.....	033-14.....	9/16" / 14mm.....	7/8".....	2-3/16".....	1-1/2".....	1".....	51/64"
SLEY2028.....	033-16.....	5/8" / 16mm.....	7/8".....	2-33/64".....	1-37/64".....	1-5/16".....	51/64"
SLEY2032.....	033-16-1.....	5/8" / 16mm.....	1".....	2-33/64".....	1-37/64".....	1-5/16".....	51/64"
SLEY2436.....	033-19.....	3/4" / 19mm.....	1-1/8".....	2-11/16".....	1-15/16".....	1-7/16".....	1-1/16"
SLEY2844.....	033-22.....	7/8" / 22mm.....	1-3/8".....	4-13/16".....	2-3/8".....	1-9/16".....	1-5/16"
SLEY3244.....	033-26.....	1" / 26mm.....	1-3/8".....	5-1/16".....	2-3/8".....	1-11/16".....	1-5/16"



Sta-Lok Long Eyes - 316 Stainless

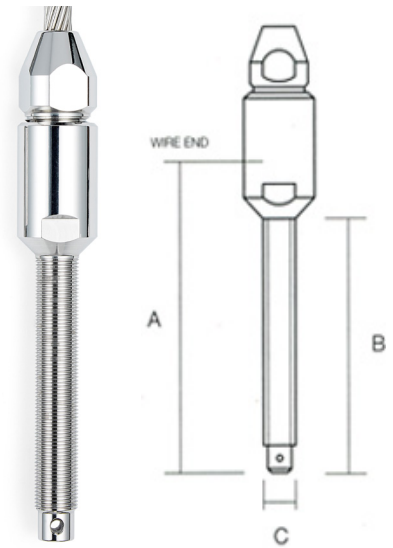
Part No.	Sta-Lok No.	Wire	H (Pin)	A	B	C
SLEYLM0512.....	078-05.....	5mm.....	3/8".....	4 3/16".....	3 1/4".....	5/16"
SLEYL0612.....	178-05.....	3/16".....	3/8".....	4-3/16".....	3-1/4".....	19/64"
SLEYL0712.....	178-55-3/8.....	7/32".....	3/8".....	4-7/8".....	3-15/16".....	3/8"
SLEYL0714.....	178-55.....	7/32".....	7/16".....	4-7/8".....	3-15/16".....	3/8"
SLEYLM0612.....	078-06-3/8.....	6mm.....	3/8".....	4-15/16".....	3-15/16".....	5/16"
SLEYLM0614.....	078-06.....	6mm.....	7/16".....	5-13/16".....	4-5/8".....	1/2"
SLEYLM0616.....	078-06-1/2.....	6mm.....	1/2".....	5-13/16".....	4-5/8".....	1/2"
SLEYL0812.....	178-06-3/8.....	1/4".....	3/8".....	4-7/8".....	3-15/16".....	3/8"
SLEYL0816.....	178-06.....	1/4".....	1/2".....	5-3/4".....	4-5/8".....	15/32"
SLEYL0916.....	078-07.....	9/32" / 7mm.....	1/2".....	5-25/32".....	4-5/8".....	15/32"
SLEYL1016.....	078-08.....	5/16" / 8mm.....	1/2".....	5-3/4".....	4-5/8".....	15/32"
SLEYL1020.....	078-08-5/8.....	5/16" / 8mm.....	5/8".....	6-5/8".....	5-1/2".....	17/32"
SLEYLM1020.....	078-10.....	10mm.....	5/8".....	6-7/8".....	5 3/8".....	9/16"
SLEYL1220.....	178-10.....	3/8".....	5/8".....	6-27/32".....	5-1/2".....	17/32"
SLEYL1424.....	178-11.....	7/16".....	3/4".....	10".....	8-1/8".....	3/4"
SLEYLM1224.....	078-12.....	12mm.....	3/4".....	10".....	8-1/8".....	3/4"
SLEYL1624.....	178-12.....	1/2".....	3/4".....	10".....	8-1/8".....	3/4"





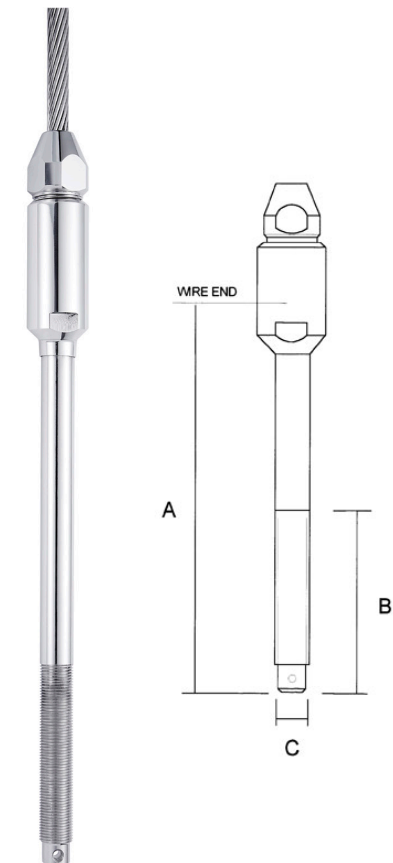
Stud Terminals - 316 Stainless

Part No.	Sta-Lok No.	Wire	C (Thread)	A	B
SLST0408	036-03	1/8" / 3mm	1/4"	2-7/16"	2-3/16"
SLST0508	036-04-1/4	5/32" / 4mm	1/4"	2-17/32"	2-5/16"
SLST0510	036-04	5/32" / 4mm	5/16"	2-7/16"	2-3/16"
SLSTM0510	036-05-5/16	5mm	5/16"	2-3/4"	2-5/16"
SLSTM0512	036-05	5mm	3/8"	3-1/16"	2-5/8"
SLST0610	136-05-5/16	3/16"	5/16"	2-9/16"	2-5/16"
SLST0612	136-05	3/16"	3/8"	3-1/16"	2-5/8"
SLST0712	136-55	7/32"	3/8"	3-5/16"	2-5/8"
SLST0714	136-55-7/16	7/32"	7/16"	3-21/32"	2-15/16"
SLSTM0612	036-06-3/8	6mm	3/8"	3-5/16"	2-5/8"
SLSTM0614	036-06	6mm	7/16"	3-11/16"	2-15/16"
SLST0812	136-06-3/8	1/4"	3/8"	3-5/16"	2-5/8"
SLST0814	136-06-7/16	1/4"	7/16"	3-21/32"	2-15/16"
SLST0816	136-06-1/2	1/4"	1/2"	3-11/16"	3-3/16"
SLST0916	036-07	9/32" / 7mm	1/2"	3-13/16"	3-3/16"
SLST1016	036-08	5/16" / 8mm	1/2"	3-7/8"	3-13/16"
SLST1020	036-08-5/8	5/16" / 8mm	5/8"	4-11/32"	3-3/4"
SLSTM1020	036-10	10mm	5/8"	4-3/8"	3-3/4"
SLSTM1024	036-10-3/4	10mm	3/4"	5-1/16"	4-7/8"
SLST1220	136-10	3/8"	5/8"	4-3/8"	3-3/4"
SLST1224	136-10-3/4	3/8"	3/4"	5-1/16"	4-7/8"
SLST1424	136-11	7/16"	3/4"	5-15/32"	4-7/8"
SLST1428	136-11-7/8	7/16"	7/8"	6-5/8"	5-1/2"
SLSTM1224	036-12	12mm	3/4"	5-1/2"	4-7/8"
SLSTM1228	036-12-7/8	12mm	7/8"	6-5/8"	5-1/2"
SLST1624	136-12	1/2"	3/4"	5-15/32"	4-7/8"
SLST1628	136-12-7/8	1/2"	7/8"	5-5/8"	5-1/2"
SLST1828	036-14	9/16" / 14mm	7/8"	6-11/16"	5-1/2"
SLST2032	036-16	5/8" / 16mm	1"	6-25/32"	5-1/2"
SLST2436	036-19	3/4" / 19mm	1-1/8"	8-1/16"	6-3/4"
SLST2840	036-22	7/8" / 22mm	1-1/4"	11-1/16"	8-15/16"
SLST3244	036-25	1" / 26mm	1-3/8"	11-11/16"	9-1/8"



Long Stud Terminals - 316 Stainless

Part No.	Sta-Lok No.	Wire	C (Thread)	A	B
SLSTL0510	076-04	5/32" / 4mm	5/16"	5-9/16"	2-1/8"
SLSTLM0510	076-05-5/16	5mm	5/16"	6-1/16"	2-1/8"
SLSTLM0512	076-05	5mm	3/8"	6-9/16"	2-5/8"
SLSTL0610	176-05-5/16	3/16"	5/16"	6-1/16"	2-1/8"
SLSTL0612	176-05	3/16"	3/8"	6-9/16"	2-5/8"
SLSTL0712	176-55	7/32"	3/8"	7-3/32"	2-5/8"
SLSTL0714	176-55-7/16	7/32"	7/16"	7-27/64"	3"
SLSTLM0612	076-06-3/8	6mm	3/8"	7-1/8"	2-5/8"
SLSTLM0614	076-06	6mm	7/16"	7-7/16"	3"
SLSTL0812	176-06-3/8	1/4"	3/8"	7-3/32"	2-5/8"
SLSTL0816	176-06-1/2	1/4"	1/2"	8-7/8"	3-1/4"
SLSTL0916	076-07	9/32" / 7mm	1/2"	8-7/8"	3-1/4"
SLSTL1016	076-08	5/16" / 8mm	1/2"	8-7/8"	3-1/4"
SLSTL1020	076-08-5/8	5/16" / 8mm	5/8"	10-11/16"	3-3/4"
SLSTLM1020	076-10	10mm	5/8"	10-3/4"	3-3/4"
SLSTL1220	176-10	3/8"	5/8"	10-23/32"	3-3/4"
SLSTL1424	176-11	7/16"	3/4"	13-3/8"	4-17/32"
SLSTLM1224	076-12	12mm	3/4"	13-3/8"	4-9/16"
SLSTL1624	176-12	1/2"	3/4"	13-3/8"	4-17/32"

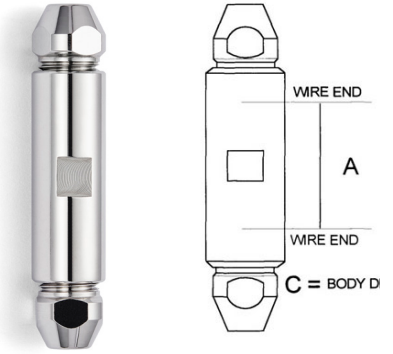




Connectors - 316 Stainless

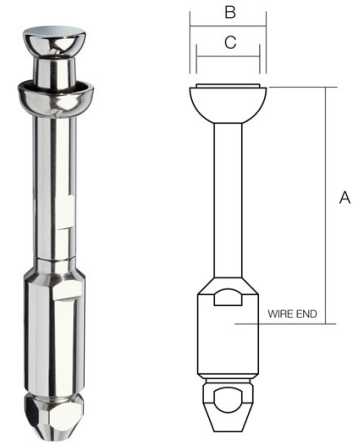
Used to connect two pieces of wire or for making connections to Stemballs or T-Balls.

Part No.	Sta-Lok No.	Wire	A	C (Body Dia.)
SLSC05	072-04	5/32" / 4mm	7/16"	9/16"
SLSC06	172-05	3/16"	5/8"	5/8"
SLSCM06	072-06	6mm	13/16"	3/4"
SLSC08	172-06	1/4"	5/8"	3/4"
SLSC09	172-07	9/32" / 7mm	3/4"	7/8"
SLSC10	172-08	5/16" / 8mm	3/4"	1"
SLSCM10	072-10	10mm	15/16"	1-1/8"
SLSC12	172-10	3/8"	3/4"	1-1/8"
SLSC14	172-11	7/16"	1"	1-3/8"
SLSCM12	072-12	12mm	1"	1-3/8"
SLSC16	172-12	1/2"	1"	1-3/8"



Stemballs - 316 Stainless

Part No.	Sta-Lok No.	Wire	A	C
SLSB07	146-55	7/32"	3-3/4"	13/16"
SLSBM06	046-06	6mm	3-3/4"	13/16"
SLSB08	146-06	1/4"	3-3/4"	13/16"
SLSB09	046-07	9/32" / 7mm	4-5/16"	7/8"
SLSB10	046-08	5/16" / 8mm	4-15/16"	1-1/16"
SLSBM10	046-10	10mm	6-5/8"	1-1/16"
SLSB12	146-10	3/8"	6-5/8"	1-1/16"



Stemball Cups - 316 Stainless

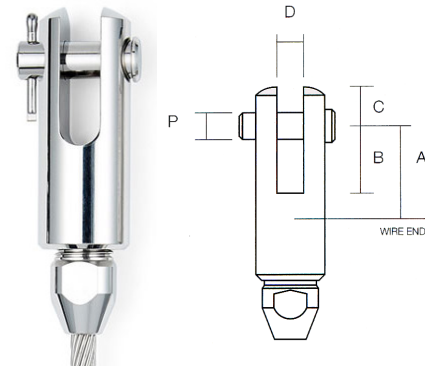
Part No.	Sta-Lok No.	Wire	A	B
SBC05-4	042C-4	5/32" / 4mm	0.354	1.024
SBC06-4	042C-5	3/16" / 5mm	0.441	1.024
SBC07/08/09-4	042C-6/7	7/32", 1/4", 9/32" / 6-7mm	0.630	1.024
SBC10/12-4	042C-8/10	5/16", 3/8" / 8-10mm	0.787	1.339





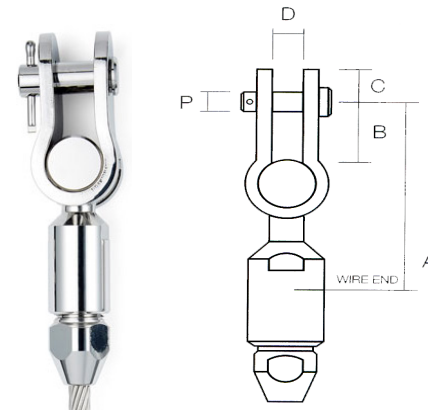
Fork Terminals - 316 Stainless

Table with 8 columns: Part No., Sta-Lok No., Wire, Pin, A, B, C, D. Lists various fork terminal specifications.



Toggle Fork Terminals - 316 Stainless

Table with 8 columns: Part No., Sta-Lok No., Wire, Pin, A, B, C, D. Lists various toggle fork terminal specifications.

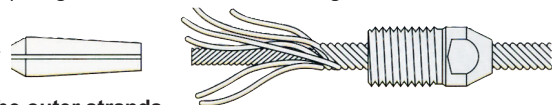


Sta-Lok Installation

1. Unravel the wire.

Slide the socket end over the wire and unravel the outer strands (one strand at a time) 2-3 inches exposing the center core. Slide the wedge over the central core, as shown.

Tip: Use a screwdriver to pry strands loose one at a time.

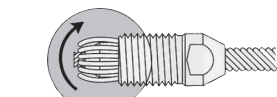
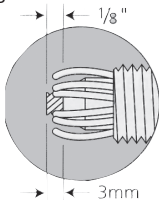


2. Reposition the outer strands.

Twist the wire so that it reforms around the wedge. Insure that the strands protrude 1/8" (2-3mm) from the eye of the wedge.

3. Push the socket over the wedge.

Individual strands should not overlap! Make sure the strands are evenly spaced around the wedge. Do not let a strand slip into the slot in the wedge.

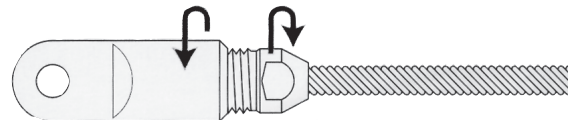
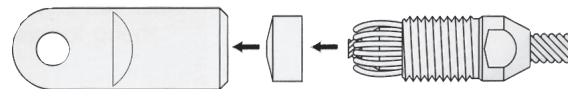


Tip: Push the socket towards the end of the wire while repositioning strands.

Important! Put a couple of drops of Loctite on the starting threads when first assembling the terminal. The Loctite will act as a lubricant and ensure that the threads will not gall. Loctite will also ensure that the terminal will not loosen after the final assembly. See pg 20 for Loctite.

4. Initial forming process.

The initial forming process begins when you start screwing the terminal and socket together. Do not overtighten! When you bottom out - stop! Unscrew the fitting to ensure that the strands are evenly formed around the wedge. There should be no overlapping strands and the slot in the wedge should not have any trapped wire. The wedge must compress! The slot must be clear for tightening!



5. Final assembly.

Fill the cavity of the terminal's body about 1/2 full of Life Caulk and place a few drops of Loctite on the threads. Reassemble the fitting and tighten to the point of bottoming out. Do not overtighten!

Overtightening will damage the threads and wire, and may render the terminal impossible to reuse at a later date.



Terminal-to-Terminal Insulators - 316 Stainless

Part No.	Sta-Lok No.	Wire	BL	Length	Dia.
SLIN07	143-55	7/32"	9,000 lb.	7-1/2"	1-3/8"
SLINM06	043-06	6mm	8,994 lb.	4.488	1-3/8"
SLIN08	143-06	1/4"	9,000 lb.	7-1/2"	1-3/8"
SLIN09	043-07	9/32" / 7mm	15,000 lb.	8"	1-1/2"
SLIN10	043-08	5/16" / 8mm	15,000 lb.	8"	1-1/2"
SLINM10	043-10	10mm	21,605 lb.	4.764	1-5/8"
SLIN12	143-10	3/8"	21,900 lb.	9"	1-5/8"
SLIN14	143-11	7/16"	29,607 lb.	11-3/16"	2"
SLINM12	043-12	12mm	29,607 lb.	5.866	2-1/6"
SLIN16	143-12	1/2"	29,607 lb.	11-3/16"	2"



Insulator Body Only - 316 Stainless

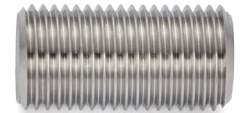
Part No.	Sta-Lok No.	Wire	BL
SLINB08	206-06	6mm, 7/32", 1/4"	9,000
SLINB10	206-08	7mm, 8mm, 9/32", 5/16"	15,000
SLINB12	206-10	10mm, 3/8"	21,900
SLINB14/16*	206-12	12mm, 7/16", 1/2"	29,607

*Achieves 93% of rated breaking load on 12mm Compact Strand Wire.



Insulator Eye Kits - 316 Stainless

Part No.	Sta-Lok No.	Fits Insulator Body	Eye Thickness	Pin Dia.
SLIEKM0614	20907-55	SLINB08	0.375"	7/16"
SLIEKM0616	20907-06	SLINB08	0.375"	1/2"
SLIEKM0716	20907-07	SLINB10	0.413"	1/2"
SLIEKM0816	20907-08	SLINB10	0.472"	1/2"
SLIEKM0820	20907-08-5/8	SLINB10	0.531"	5/8"
SLIEKM1020	20907-10	SLINB12	0.531"	5/8"
SLIEKM1224	20907-12	SLINB14/16	0.748"	3/4"



Terminal Ends - 316 Stainless (Includes terminal end, wedge and former)

Part No.	Sta-Lok No.	Wire
SLTEM04	208-04	5/32", 4mm
SLTEM05	208-05	5mm
SLTE06	211-05	3/16"
SLTE07	211-55	7/32"
SLTEM06	208-06	6mm
SLTE08	211-06	1/4"
SLTEM07	208-07	9/32", 7mm
SLTE09IN*	227-07	9/32", 7mm
SLTE10	208-08	5/16", 8mm
SLTEM10	208-10	10mm
SLTE12	211-10	3/8"
SLTE14	211-11	7/16"
SLTEM12	208-12	12mm
SLTE16	211-12	1/2"

*SLTE09 is a special terminal kit for insulators ONLY



Bar Toggles - 316 Stainless

Part No.	Sta-Lok No.	Pin Dia	Pin Center to Hole Center	Fork Width
SLBT10	S-516BT	5/16"	1 1/2"	5/16"
SLBT12	S-38BT	3/8"	1 3/4"	3/8"
SLBT14	S-716BT	7/16"	2 5/16"	7/16
SLBT16	S-12BT	1/2"	2 11/16"	1/2"
SLBT20	S-58BT	5/8"	2 3/4"	5/8"
SLBT24	S-34BT	3/4"	3 1/4"	3/4"
SLBT28	S-78BT	7/8"	4 1/16"	7/8"
SLBT32	S-100BT	1"	4 3/8"	1"
SLBT34	S-118BT	1 1/8"	5 3/4"	1 1/18"
SLBT40	S-114BT	1 1/4"	6 3/4"	1 1/4"
SLBT44	S-138BT	1 3/8"	7 1/4"	1 3/8"





The diameter of rigging wire is made either to nominal fractional inch or metric dimensions (mm). In some sizes, the wedges are interchangeable. Sta-Lok terminals must use a specific fractional or metric size wedge, however, some wedge sizes are identical.

The fractional / metric wedge table below will help you with this distinction

MM	Inch	
3	1/8	Wedges are identical
4	5/32	Wedges are identical
5	3/16	Wedges are different
6	1/4	Wedges are different
7	9/32	Wedges are identical
8	5/16	Wedges are identical
10	3/8	Wedges are different
11	7/16	Wedges are identical
12	1/2	Wedges are different
14	9/16	Wedges are identical
16	5/8	Wedges are identical
19	3/4	Wedges are identical



1x19 Wedges

Part No.	Sta-Lok No.	Wire (Inch)	Wire (mm)
SLWM03	126-03	1/8"	3mm
SLWM04	126-04	5/32"	4mm
SLWN06	138-05	3/16"	
SLWM05	126-05		5mm
SLWN07	138-55	7/32"	
SLWM06	126-06		6mm
SLWN08	138-06	1/4"	
SLWM07	126-07	9/32"	7mm
SLWM08	126-08	5/16"	8mm
SLWN12	138-10	3/8"	
SLWM10	126-10		10mm
SLWN14	138-11	7/16"	11mm
SLWM12	126-12		12mm
SLWN16	138-12	1/2"	
SLWM14	126-14	9/16"	14mm
SLWM16	126-16	5/8"	16mm
SLWM19	126-19	3/4"	19mm



7 Strand Wedges

Part No.	Sta-Lok No.	Wire (Inch)	Wire (mm)
SLWSM04	154-04	5/32"	4mm
SLWS06	139-05	3/16"	
SLWSM05	127-05		5mm
SLWSM06	127-06		6mm
SLWS08	139-06	1/4"	
SLWSM07	127-07	9/32"	7mm
SLWSM08	127-08	5/16"	8mm
SLWS12	139-10	3/8"	
SLWSM10	127-10		10mm



Wedges for Dyform® Brand Wire

1x19 Construction unless otherwise specified.

Part No.	Sta-Lok No.	Wire Diameter
SLWDM04*	154-04	4mm
SLWDM05	154-05	5mm
SLWDM06	154-06	6mm
SLWDM07	154-07	7mm
SLWDM08	154-08	8mm
SLWDM10	154-10	10mm
SLWDM12	154-12	12mm
SLWDM14**	154-14	14mm
SLWDM16**	154-16	16mm
SLWDM19***	154-19	19mm

* 1x7 Construction
 ** 1x25 Construction
 *** 1x31 Construction



Wedges for KOS Compact Strand Wire

1x19 Construction unless otherwise specified.

Part No.	Sta-Lok No.	Wire Diameter
SLWDM04*	154-04	4mm
SLWDM05	154-05	5mm
SLWCM06	154-06C	6mm
SLWCM07	154-07C	7mm
SLWDM08	154-08	8mm
SLWDM10	154-10	10mm
SLWCM12	154-12C	12mm
SLWCM14-1x19	154-14C19	14mm
SLWCM14-1x36	154-14C36	14mm
SLWCM16**	154-16C36	16mm
SLWCM19**	154-19C36	19mm

* 1x7 Construction
 ** 1x36 Construction



Formers

Part No.	Sta-Lok No.	Wire (Inch)	Wire (mm)
SLFO04	115-03	1/8"	3mm
SLFO05	155-04	5/32"	4mm
SLFO06	155-05	3/16"	5mm
SLFO08	115-06	1/4"	6mm
SLFO09	115-07	9/32"	7mm
SLFO10	115-08	5/16"	8mm
SLFO12	115-10	3/8"	10mm
SLFO16	115-12	1/2"	12mm
SLFO18	115-14	9/16"	14mm
SLFO20	115-16	5/8"	16mm
SLFO24	115-19	3/4"	19mm



Note!

For certain wire diameters the Sta-Lok wedges for Dyform® wire and KOS Compact Strand wire are interchangeable. For other diameters they are not. It is critical to the performance of Sta-Lok fittings to use the correct wedge. See the listings above. If you have any questions regarding which wedge to use, please contact us.

Important!

Sta-Lok wedges shown on this page are intended for Sta-Lok terminal ends with either two- or four-wrench flats. Some older Sta-Lok fittings had more than four-wrench flats and are not compatible with current wedges. If you have any questions regarding the identification of a Sta-Lok fitting or need a larger size, please contact us.