



www.sailingservices.com

305-758-1074

2024 Catalog



Terms of Business & Contact Information 3

Standing Rigging..... 4-38

- How to Measure Standing Rigging 4
- Standing Rigging Order Form 5
- Swaging and Rigging Services 6
- Wire Rope & Nitronic 50 Rod 7

Sta-lok..... 8-18

- Swage Terminals 8-10
- Turnbuckles 11
- Threaded Terminals 12
- Mechanical Terminals 13-16
- Insulators & Additional Hardware 17
- Wedges & Formers 18

Hayn..... 19-30

- Swage Terminals 19-22
- Swage Shroud Terminals & Backing Plates 23
- Turnbuckles & Toggles 24-26
- Hi-Mod Mechanical Terminals 27-29
- Cones, Crown Rings & Hardware 30

- Alexander Roberts 31
- Alexander Roberts / Toggles & Plates 32
- Sleeves, Thimbles & Pins 33
- Adjusters 34
- Tools, Sealants & Lubricants 35-36
- Lights & Lighting Accessories,
VHF Antenna & Components 37
- Mast, Shrouds & Stay Accessories 38

Lifelines..... 39-41

- Lifeline Measurement Form 39
- Lifeline Fittings 40
- Lifeline Fittings & Stanchion Accessories 41

Rope 42-49

- Splicing Services 43
- Rope for Racing 44-45
- Rope for Performance Cruisers 46
- Rope for Dinghy / One Design 47
- Rope for Anchor & Docking 48
- Traditional & Specialty Rope 49

Sail Handling 50-53

- Harken Furling Systems 50
- Schaefer & Proful Furling Systems 51
- Free Flying Sail Furlers & Headstay Foils 52
- Harken Battcar Systems, Lazy Jacks & Mainsail Outhauls 53

Hardware 54-60

- Shackles 54-55
- Cabine Hooks, U-Bolts, Pad Eyes & Eyestraps 56

Winches 57-58

- Harken Winches 57
- Lewmar Winches 58
- Winch Accessories & Schaefer T-Track 59

Blocks, Clutches & Cam Cleats 60

Spinlock 61

Forespar Whisker & Spinnaker Poles 62-63

Architectural & Decorative Rigging 64-65

Useful Information 66

Meet the Sailing Services Team 67





Contact Information

Hours of operation: Mon-Fri 8:30 AM to 5:30 PM EST.

Phone: 305-758-1074
 Web: www.sailingservices.com
 Email: sales@sailingservices.com

Send orders or requests for bids to sales@sailingservices.com

We hope to acknowledge your request within one hour during our normal business hours.

Sailing Services' staff is here to assist you!

Name	Department	Extension	Email Address
Brooks Paul Jones.....	Sales (President).....	305.....	brooks@sailingservices.com
David Weir.....	Sales (VP).....		david@sailingservices.com
Pedro Malax.....	Sales (English/Espanol).....	301.....	pedro@sailingservices.com
Richard White.....	Sales.....	313.....	richard@sailingservices.com
Ale Harris.....	Sales/Rec (English/Espanol)....	306.....	alejandra@sailingservices.com
Tom Sharkey.....	Sales.....		tom@sailingservices.com
Douglas Andino.....	Shipping.....	307.....	shipping@sailingservices.com
Mark DuFeny.....	Purchasing/Marketing.....	304.....	markd@sailingservices.com
Diane Jones.....	Bookkeeping.....	300.....	diane@sailingservices.com
Morgan Jones.....	Marketing.....	308.....	morgan@sailingservices.com
Danielle Chandler.....	Marketing.....	303.....	danielle@sailingservices.com
Alex Alvarez.....	Production		
Alexis Guadamuz.....	Production		
Milton Ibanez.....	Production		

Visit us Online
www.sailingservices.com



General Information Terms of Business

Errors and Omissions

Every effort has been made to ensure that the Professional Rigger's Source Book is free of errors. Sailing Services is not responsible for typographical errors.

Item Prices & Availability

All prices are current at the time of printing, but manufacturers often change prices without notice, Sailing Services reserves the right to pass these changes on to its customers. The majority of items listed in the Professional Rigger's Source Book are in stock at Sailing Services. High demand sometimes causes temporary shortages which may result in products being back-ordered or drop-shipped from the manufacturer.

We are happy to provide detailed bids upon request. Bids are valid for 30 days for items that are in stock at the time of bid, unless otherwise specified. Bids for special orders and non-stock items are subject to change in pricing and availability at time of order.

Payment

Sailing Services accepts Master Card, Visa and Discover cards, as well as checks, wire transfers, ACH, and PayPal. Orders paid by check may be held until the check has cleared. Returned checks are subject to a \$20 fee.

Trade Customers & Open Accounts

Sailing Services welcomes new bona-fide trade customers. Please request our Trade Account Application or download the application from www.sailingservices.com. Accounts can be opened on a prepayment or COD basis. Open accounts may be established with approved references and credit check. Please contact us for details regarding trade discounts and quantity pricing. We are happy to discuss your special needs. **Possession of our catalog and our trade pricing structure does not guarantee access of our trade pricing.**

Terms for approved accounts in good standing within credit limits are Net 30 Days from invoice/shipping date. Interest of 1.5% per month **will** be charged on accounts unpaid after 30 days. Accounts unpaid after 30 days may be placed in full. Purchaser agrees to pay reasonable collection charges including legal fees. Trade account orders invoiced at less than \$100 net, excluding shipping and handling, may incur a service charge.

Orders

Orders may be placed online, by phone, or by email. Verbal orders for fabricated rigging assemblies are made at the risk of the customer; written orders via fax or email are preferred and highly encouraged.

Shipping

Shipping charges are FOB Miami, FL (or origin) and are invoiced at the time of shipment. Sailing Services ships via Fed Ex, UPS and the United States Postal Service, as well as other freight carriers and forwarders. Expedited shipping is available; please inquire at time of order. Drop shipments or rush orders may incur additional handling charges. Shipping, insurance, and handling charges will be provided upon request. For international orders, the customer is responsible for all duties, customs, brokerage fees and taxes that may apply at delivery. We reserve the right to decline drop ship orders to foreign countries.

Shortages, Damage, or Invoice Discrepancies

Please inspect all orders promptly and carefully. Report any shortages or errors to Sailing Services within 5 business days of receipt. Claims for lost or damaged shipments should be filed directly with the shipping carrier. We will be happy to assist with package tracking and insurance information. Billing discrepancies must be reported to Sailing Services within 15 business days of invoice date.

Returns

1. Contact Sailing Services for a Return Authorization Number (RA#).
2. Place the RA# on the outside of the box when returning items to us. Delivery of a return that is lacking a clearly marked RA# may be refused.
3. Returned items must be in new, resalable condition, in original packaging with all packaging materials including instruction booklets and warranty cards.
4. After inspection, any item deemed not in ready-to-sell condition may not be accepted for return or may be subject to a restocking fee.
5. Return authorizations must be requested within 15 days of receipt of order. Returns may not be accepted after 30 days of receipt.
6. Custom rigging and cut-length materials are generally not returnable if fabricated to your specifications. Special order items are also generally not returnable or may be subject to a restocking fee.

Warranty

The obligation of Sailing Services under this warranty is limited to repairing or replacing products that have been deemed by Sailing Services, Inc. to be defective. Sailing Services does not assume responsibility for any incidental or consequential damages incurred in connection with the use of its products. Sailing Services does not warrant the suitability of a manufacturer's product for an application selected by the purchaser and defers to all OEM warranties on any product sold in its original state. Manufacturer's warranty claims, specifications, and designs are provided as a service to our customers and we defer to our suppliers as a direct source for this information, as details may change.

Come visit us!

Physical and Mailing Address:

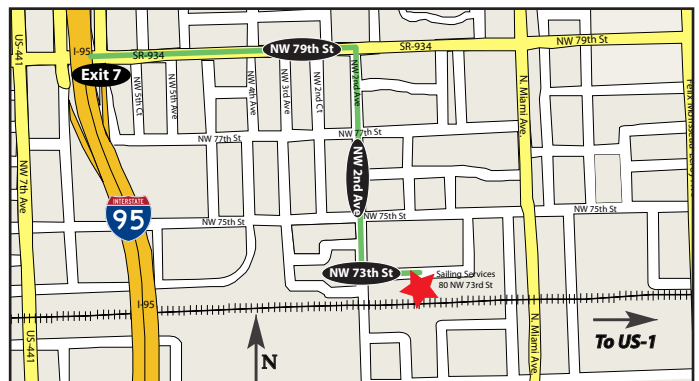
Sailing Services, Inc.
 80 NW 73rd Street
 Miami, FL 33150

Hours of Operation:

**Mon - Fri 8:30 AM to 5:30 PM EST
 or by Appointment**

Closed Most Federal Holidays

Sailing Services is conveniently located 5 miles north of downtown, east of I-95 in Miami. Take Exit 7, go East to NW 2nd Ave, then South to 73rd St. Turn East on 73rd to find 80 NW 73rd on the right.

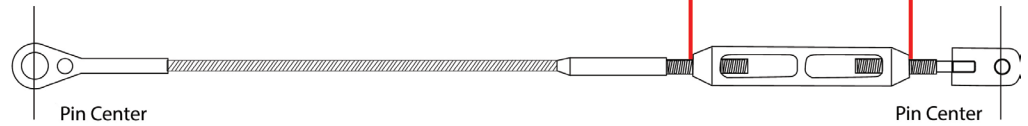




How to Measure Standing Rigging

1. With the mast and rigging still standing and set to its normal sailing positions, tape or mark all the threads of the studs where they exit the turnbuckles. Make sure your turnbuckle is centered between the studs for accurate measurement. It is important to do this while the mast is still up and set for normal sailing as this will be the base line to produce your new rigging.

Tape or mark with sharpie where threads of studs exit turnbuckles



2. Label all wire segments indicating their position. For example, port upper shroud (fig 3) or forestay (fig 1). See rigging diagram labeled Continuous Rigging on page 5.

3. Unstep the mast and remove the rigging from the boat.

4. At this point many of our customers choose to ship their rigging to our shop in Miami Florida where we will duplicate it exactly. This is our highest recommendation to make sure your rig fits properly. If you would like to measure your rigging yourself proceed to step 5.

5. Find a flat surface large enough that you can fully stretch your rigging out for measurement.

6. Lay out the wire and attach one end of your wire segment to a secure fixed point. You can use a large nail or screw on the dock.

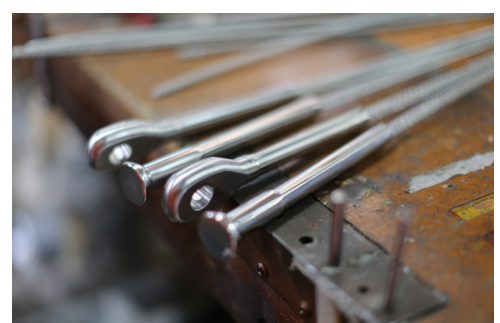
7. "Stretch" the wire straight and ensure there are no bends in the wire. You may need to apply pressure to "stretch" the wire straight, you may find it helpful to use a line or block and tackle.

If your rigging terminal contains a pin remove the pin and use this as your attachment point. This also serves as your pin center measuring point.

8. Using a fiberglass or steel tape measure, measure the distance from pin-center to pin-center or bearing point to bearing point as applicable. It is important to use a tape measure under tension and that does not stretch.

9. Record your measurements in our handy Standing Rigging Order Form or email your specifications to us at sales@sailingservices.com. We will review your specifications and send you a bid for your rigging project.

We highly recommend you hire a professional rigger if you are not familiar with this process. We do support educated do-it-yourself sailors if you are confident and understand the rigging process. Many of our do-it-yourself customers with continuous rigs order their rigging with a swaged terminal at the top of the mast and a Sta-Lok or Hi-Mod mechanical fitting for the bottom so they can fit the rigging on site. Please feel free to contact us with any questions; our highly experienced staff is here to help. Please contact us before you take your rig down to ensure your measurements are taken properly.





Swaging and Rigging Services

Labor prices are posted online; bids are available by email at sales@sailingservices.com or by phone at (305) 758-1074. Sailing Services has over 45 years of experience with rigging, specializing in fabricating high-quality standing rigging and selling components to riggers and sailors across the globe.

Sailing Services always uses top quality certified type 316 stainless steel wire and terminals. Our rigging is fabricated to the most exacting industry standards with extreme attention to quality for the greatest longevity and strength. To ensure accurate termination our Rotary swaging and Wiretechnik swaging machines are outfitted with perfectly calibrated dies. We carry a vast inventory in stock for fast fabrication and shipping time. Contact our sales team today for a personalized consultation.

Quantity Discounts Available, Contact Us for a Quote!

Rotary Swaging

Part No.	Description
LARS04	1/8"
LARS05	5/32" or 4mm
LARS06	3/16" or 5mm
LARS07	7/32"
LARS08	1/4"
LARS09	9/32" or 7mm
LARS10	5/16" or 8mm
LARS12	3/8" or 10mm
LARS14	7/16"
LARS16	1/2" or 12mm
LARS18	9/16" or 14mm
LARS20	5/8" or 16mm Rotary Swage

Passive Die Swaging (Wiretechnik)

Part No.	Description
LAPD10	5/16" or 8mm
LAPD12	3/8" or 10mm
LAPD14	7/16"
LAPD16	1/2" or 12mm
LAPD18	9/16" or 14mm
LAPD20	5/8" or 16mm
LAPD24	3/4" or 19mm
LAPD28	7/8" or 22mm
LAPD32	1" or 26mm
LAPD36	1 1/8" or 28mm

Sta-Lok / Hi-Mod Installation

Part No.	Description
LASL	Up to 3/8" or 10mm
LASLL	7/16", 12mm and 1/2"
LASLXL	9/16", 14mm and up
LASLD	Compact Strand up to 12mm
LASLDL	Compact Strand 14mm to 19mm
LASLL/R	Removal of Sta-Lok / Hi-Mod Fittings

Kearney Swaging

Part No.	Description
LAKS	1/16" - 1/4" (Lifelines)

Compact Strand Swaging

Part No.	Description
LACSSM02.5	2.5mm
LACSSM03	3mm
LACSSM04	4mm
LACSSM05	5mm
LACSSM06	6mm
LACSSM07	7mm
LACSSM08	8mm
LACSSM10	10mm
LACSSM12	12mm
LACSSM14	14mm
LACSSM16	16mm

**We follow the Navtec guidelines for swaging compact strand wire, using a high strength sleeve retainer. Contact us for more information about the process of swaging compact strand wire.*

Oval Sleeve Press

Part No.	Description
LANS	1/4" Oval Sleeve Press
LANSD	1/4" Double Oval Sleeve Press
LANL	5/16" Oval Sleeve Press
LANXL	3/8" & Up Oval Sleeve Press (Hydr)

Rod Heading

Part No.	Description
LARH04-12	Rod Heading -004 to -012
LARH15-22	Rod Heading -017 to -022
LARH30-40	Rod Heading -030 to -040
Layout Charge	Layout charge for rod, per hour

Standing Rigging Tips

- Use Certified Type 316 Stainless Steel Wire.
- Sta-lok & Hayn terminals are top choices for professional riggers.
- Consult with a professional to make sure you are ordering the correct fittings for your application. *References available*
- Contact us for information on our rigging options: Swaged terminal on wire with mechanical terminal for easy installation on site.



KOS 1x19 Wire - Type 316SS

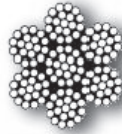
Wire surrounded by 18 wires, stiff and low stretch. Most commonly used for standing rigging, and becoming more and more popular for lifelines (See page 39 for *Lifeline Measurement Form*).



Part No.	Diameter	Approx. Break Load	Weight / 100 Ft.
WS02	1/16"	474 Lbs.	0.9 Lbs
WS03	3/32"	1,067 Lbs.	1.9 Lbs
WS04	1/8"	1,898.2 Lbs.	3.5 Lbs
WS05	5/32" / 4mm	2,965.2 Lbs.	3.5 Lbs
WS06	3/16"	4,268.1 Lbs.	7.7 Lbs
WSM05	5mm	4,400 Lbs.	8.2 Lbs
WS07	7/32"	5,811.3 Lbs.	10.2 Lbs
WSM06	6mm	6,671.1 Lbs.	11.8 Lbs
WS08	1/4"	7,588.2 Lbs.	13.5 Lbs
WS09	9/32" / 7mm	9,605.4 Lbs.	17.0 Lbs
WS10	5/16" / 8mm	11,858.5 Lbs.	21.0 Lbs
WS12	3/8"	17,076.8 Lbs.	30.0 Lbs
WSM10	10mm	18,527.5 Lbs.	32.8 Lbs
WS14	7/16"	23,240.9 Lbs.	41.0 Lbs
WSM12	12mm	26,680.1 Lbs.	47.2 Lbs
WS16	1/2"	29,883.4 Lbs.	52.1 Lbs
WS18	9/16" / 14mm	37,888.3 Lbs.	67.0 Lbs
WS20	5/8" / 16mm	45,194.3 Lbs.	85.5 Lbs
WS24	3/4" / 19mm	51,717 Lbs.	108.0 Lbs
WS28	7/8" / 22mm	Call	Call
WS32	1"	Call	Call

KOS 7x19 Wire - Type 316SS

Seven strands each made of 19 wires each. Very flexible. In the past, 7x19 was used for running rigging applications such as halyards. On many boats this wire running rigging has been replaced with rope. Today, 7x19 is used wherever strength, flexibility, and chafe resistance is needed, such as for pennants and hoisting bridles.



Part No.	Diameter	Approx Break Load	Weight / 100 Ft.
WR02	1/16"*	335 Lbs.	0.9 Lbs
WR03	3/32"	700 Lbs.	1.6 Lbs
WR04	1/8"	1,328 Lbs.	2.2 Lbs
WR05	5/32"	2,074 Lbs.	3.9 Lbs
WR06	3/16"	2,963 Lbs.	5.6 Lbs
WR07	7/32"	4,056 Lbs.	7.7 Lbs
WR08	1/4"	5,308 Lbs.	10.1 Lbs
WR10	5/16"	8,290 Lbs.	15.9 Lbs
WR12	3/8"	11,951 Lbs.	22.6 Lbs

* 1/16" wire is 7x7 in construction.

KOS Compact Strand Wire - Type 316SS

Compact Strand wire shares the same basic construction as 1x19 wire, however the wires are compacted via a cold deformation process which reduces the diameter of the wire by passing through a die or rollers. This process increases the metallic cross section of the strand, extends the area of contact between the wires, distributes tension more uniformly to the wires and makes the surface of the strand smoother and more regular. Compact strand wire is stronger than conventional 1x19 wire and has less stretch. A special process is necessary to swage compact strand wire and mechanical terminals require specific cones or wedges.



Part No.	Diameter	Approx. Break Load	Weight / 100 Ft.
WCM02.5	2.5mm*	1,518 Lbs.	2.28 Lbs
WCM03	3mm*	2,200 Lbs.	3.28 Lbs
WCM04	4mm*	3,916 Lbs.	5.91 Lbs
WCM05	5mm	5,368 Lbs.	9.10 Lbs
WCM06	6mm	7,810 Lbs.	13.0 Lbs
WCM07	7mm	10,820 Lbs.	17.4 Lbs
WCM08	8mm	13,530 Lbs.	23.2 Lbs
WCM10	10mm	21,490 Lbs.	36.3 Lbs
WCM12	12mm	31,746 Lbs.	54.2 Lbs
WCM14 1x19	14mm	42,549 Lbs.	77.28 Lbs
WCM14 1x36	14mm	42,549 Lbs.	77.28 Lbs
WCM16 1x25	16mm	Call	Call
WCM19 1x36	19mm	Call	Call

* 1x7 construction.

KOS Lifeline Wire, 7x7, Vinyl Coated - Type 316SS

Seven strands consisting of seven wires each. Semi-flexible. Vinyl coated in various dimensions. Used for lifelines (see page 39 for *Lifeline Measurement Form*), topping lifts, pole bridles, trip lines, pennants, and safety cables. Available in white only.



Part No.	Wire Diameter	Vinyl OD Diameter	Approx. Break Load	Weight / 100 Ft.
WV0406	1/8"	3/16"	1,434 Lbs.	3.9 Lbs
WV0407	1/8"	7/32"	1,434 Lbs.	4.1 Lbs
WV0508	5/32"	1/4"	2,211 Lbs.	5.9 Lbs
WV0608	3/16"	1/4"	3,218 Lbs.	8.0 Lbs
WV0610	3/16"	5/16"	3,218 Lbs.	9.2 Lbs
WV0812	1/4"	3/8"	5,728 Lbs.	14.5 Lbs

Nitronic 50 Straightened Rod

Solid strand stainless steel. High strength, low stretch and corrosion resistant. Commonly used on performance boats and higher end cruising boats.



Larger diameters available and in-house rod heading available. Please call to inquire.

Part No.	Rod Size	Rod Diameter	Min. Break Load	Weight / Ft.
R505-004	-4	4.37mm	4,700 Lbs.	0.08 Lbs
R505-006	-6	5.03mm	6,300 Lbs.	0.11 Lbs
R505-008	-8	5.72mm	8,200 Lbs.	0.14 Lbs
R505-010	-10	6.35mm	10,300 Lbs.	0.17 Lbs
R505-012	-12	7.14mm	12,500 Lbs.	0.21 Lbs
R505-015	-15	7.52mm	14,250 Lbs.	0.24 Lbs
R505-017	-17	8.38mm	17,500 Lbs.	0.29 Lbs
R505-022	-22	9.53mm	22,500 Lbs.	0.38 Lbs
R505-030	-30	11.10mm	30,000 Lbs.	0.51 Lbs
R505-040	-40	12.7mm	38,000 Lbs.	0.67 Lbs

CONTACT US FOR PRICING

Sailing Services is a rigging manufacturer and sailboat hardware distributor. We work with riggers and other marine professionals around the globe providing high quality rigging, hardware and spars.

WHOLESALE ACCOUNTS

Sailing Services welcomes new bona-fide trade customers, we have a deep commitment to riggers and marine industry professionals.

Contact us to set up an account to receive trade pricing.

Wire Discounts:

We sell wire by the foot and in 250 ft, 500 ft, and 1,000 ft spools. Wire sold by the spool carries a deeper discount than wire sold by the foot. Purchases of two or more spools receive an additional 5% discount for 1x19 stainless steel wire.

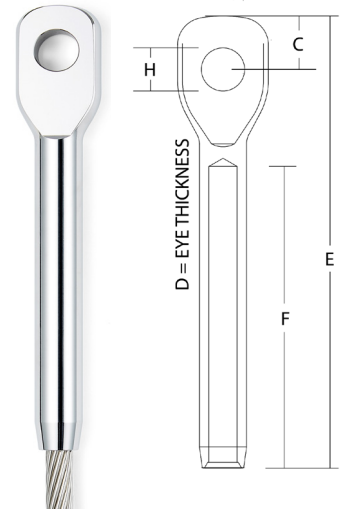


STANDING RIGGING



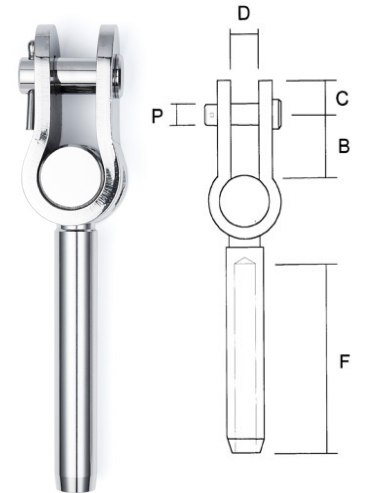
Swage Marine Eyes - 316 Stainless

Part No.	Sta-Lok No.	Wire Diameter		Pin Dia.	C	D	E	F
		In	MM					
SWME0408-4	130N-03	1/8"		1/4"	1/4"	15/64"	2-23/64"	1-17/32"
SWMEM0410-4	039N-04	5/32"	4MM	5/16"	5/16"	5/16"	2-53/64"	1-49/64"
SWMEM0512-4	039N-05	3/16"	5MM	3/8"	3/8"	5/16"	3-19/64"	2-3/64"
SWME0714-4	130N-55	7/32"		7/16"	7/16"	3/8"	4-1/64"	2-33/64"
SWMEM0614-4	039N-06		6MM	7/16"	7/16"	3/8"	4-1/64"	2-33/64"
SWME0816-4	130N-06	1/4"		1/2"	7/16"	3/8"	4-1/64"	2-33/64"
SWMEM0716R-4	039N-07	9/32"	7MM	1/2"	17/32"	7/16"	4-7/16"	2-3/4"
SWMEM0816-4	039N-08-1/2	5/16"	8MM	1/2"	35/64"	7/16"	4-59/64"	3-9/64"
SWMEM0820-4	039N-08-5/8	5/16"	8MM	5/8"	23/32"	19/32"	5-23/64"	3-9/64"
SWME1220-4	130N-10	3/8"		5/8"	5/8"	19/32"	6-3/32"	3-15/16"
SWMEM1020-4	039N-10		10MM	5/8"	5/8"	19/32"	6-3/32"	3-15/16"
SWME1424-4	130-11	7/16"		3/4"	7/8"	3/4"	7-3/4"	5-3/16"
SWMEM1224-4	030-12		12MM	3/4"	7/8"	3/4"	7-3/4"	5-3/16"
SWME1624-4	130-12	1/2"		3/4"	7/8"	3/4"	7-3/4"	5-3/16"
SWMEM1428-4	039-14	9/16"	14MM	7/8"	1"	7/8"	9-9/64"	6-9/64"
SWMEM1632-4	039-16	5/8"	16MM	1"	1-1/4"	15/16"	10-5/16"	6-59/64"
SWMEM1936-4	039-19	3/4"	19MM	1-1/8"	1-7/16"	1-7/64"	11-57/64"	8-17/64"
SWMEM2240-4	039-22	7/8"	22MM	1-1/4"	1-1/4"	32 mm	361.7 mm	241.3 mm
SWMEM2644-4	039-26	1"	26MM	1-3/8"	42.9 mm	34 mm	430 mm	290 mm



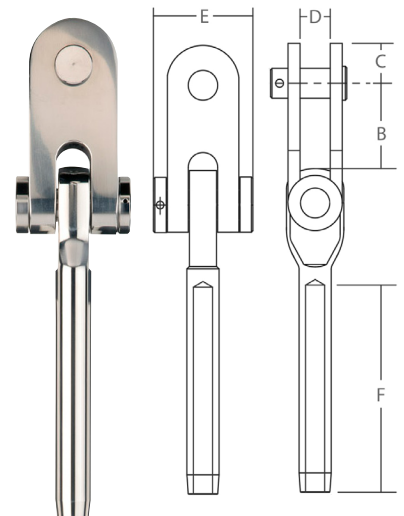
Swage T-Toggles - 316 Stainless

Part No.	Sta-Lok No.	Wire Diameter		Pin Dia.	B	C	D	F
		In	MM					
SWETM0308-4	038-03		3mm	1/4"	9/16"	3/8"	1/4"	1-9/16"
SWET0408-4	132-03	1/8"		1/4"	19/32"	23/64"	1/4"	1-17/32"
SWETM0410-4	038-04	5/32"	4mm	5/16"	3/4"	3/8"	5/16"	1-3/4"
SWETM0512-4	038-05	3/16"	5mm	3/8"	13/16"	7/16"	3/8"	2"
SWET0714-4	132-55	7/32"		7/16"	63/64"	19/32"	29/64"	2-3/8"
SWETM0614-4	038-06		6mm	7/16"	7/16"	1"	9/16"	2-3/8"
SWET0816-4	132-06	1/4"		1/2"	63/64"	19/32"	33/64"	2-3/8"
SWETM0716-4	038-07	9/32"	7mm	1/2"	1-1/8"	5/8"	1/2"	2-3/4"
SWETM0816-4	038-08	5/16"	8mm	1/2"	1-1/8"	5/8"	1/2"	3-1/8"
SWET1220-4	132-10	3/8"		5/8"	1-19/64"	25/32"	41/64"	3-15/16"
SWETM1020-4	038-10		10mm	5/8"	1-5/16"	13/16"	5/8"	3-15/16"



Swage Eye Toggles - 316 Stainless

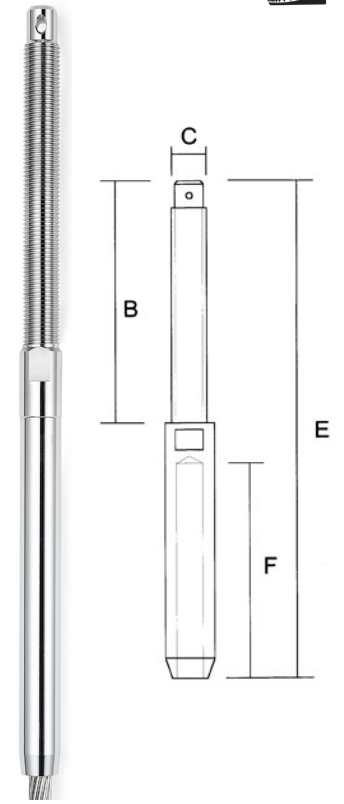
Part No.	Sta-Lok No.	Wire Diameter		Pin Dia.	B	C	D	E	F
		In	MM						
SWET1424-4	132 ET-11	7/16"		3/4"	2-3/16"	1"	7/8"	2-9/16"	5-5/16"
SWETM1224-4	038 ET-12		12mm	3/4"	2 3/16"	1"	7/8"	2 5/8"	5-5/16"
SWET1624-4	132 ET-12	1/2"		3/4"	2-3/16"	1"	7/8"	2-5/8"	5-5/16"
SWETM1428-4	038 ET-14	9/16"	14mm	7/8"	2-1/2"	1-1/4"	1"	3-1/16"	6-1/8"
SWETM1632-4	132 ET-16	5/8"	16mm	1"	2-11/16"	1-3/8"	1-1/8"	3-1/4"	7-1/16"
SWETM1936-4	132 ET-19	3/4"	19mm	1-1/8"	2-3/4"	1-1/2"	1-1/4"	3-1/2"	8-1/4"
SWETM2240-4	132 ET-22	7/8"	22mm	1-1/4"	3-1/8"	1-3/4"	1-3/8"	3-7/8"	9-1/2"
SWETM2644-4	038 ET-26	1"	26mm	1-3/8"	3-7/8"	56.5 mm	1-1/2"	4-5/16"	290 mm





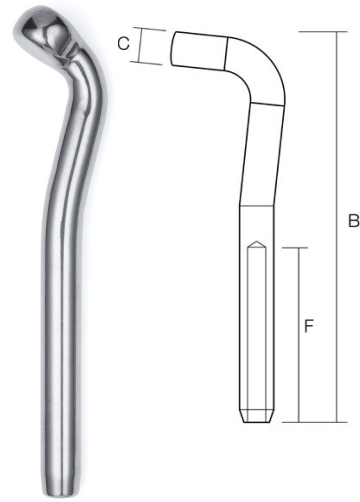
Swage Studs - 316 Stainless

Part No.	Sta-Lok No.	Wire Diameter		Thread Dia.	B	E	F
		In	MM				
SWST0408R-4	151-03	1/8"		1/4"	2-13/64"	4-1/4"	1-17/32"
SWSTM0408R-4	051-04-1/4	5/32"	4mm	1/4"	2-13/16"	4-11/16"	1-3/4"
SWSTM0410R-4	051-04	5/32"	4mm	5/16"	2-23/64"	4-7/8"	1-3/4"
SWSTM0510R-4	051-05-5/16	3/16"	5mm	5/16"	2-23/64"	5-1/32"	2"
SWSTM0512R-4	051-05	3/16"	5mm	3/8"	2-5/8"	5-1/4"	2"
SWST0712R-4	151-55	7/32"		3/8"	2-5/8"	5-31/32"	2-3/8"
SWST0714R-4	151-55-7/16	7/32"		7/16"	2-61/64"	6-1/4"	2-3/8"
SWSTM0612R-4	051-06-3/8		6mm	3/8"	2-5/8"	6"	2-3/8"
SWSTM0614R-4	051-06		6mm	7/16"	2-15/16"	6-1/4"	2-3/8"
SWST0812R-4	151-06-3/8	1/4"		3/8"	2-5/8"	5-31/32"	2-1/2"
SWST0814R-4	151-06	1/4"		7/16"	2-61/64"	6-1/2"	2-1/2"
SWST0816R-4	151-06-1/2	1/4"		1/2"	3-3/16"	6-3/8"	2-1/2"
SWSTM0714R-4	051-07-7/16	9/32"	7mm	7/16"	2-61/64"	6-35/64"	2-3/4"
SWSTM0716R-4	051-07	9/32"	7mm	1/2"	3-3/16"	6-25/32"	2-3/4"
SWSTM0816R-4	051-08-1/2	5/16"	8mm	1/2"	3-3/16"	7-3/16"	3-5/32"
SWSTM0820R-4	051-08-5/8	5/16"	8mm	5/8"	3 15/16"	7 15/16"	3 1/8"
SWSTM1020R-4	051-10		10mm	5/8"	3-15/16"	8-15/16"	3-15/16"
SWST1220R-4	151-10	3/8"		5/8"	3-15/16"	8-15/16"	3-15/16"
SWST1424R-4	151-11	7/16"		3/4"	4-7/8"	11"	4-3/4"
SWSTM1224R-4	051-12		12mm	3/4"	4-7/8"	11"	4-3/4"
SWST1624R-4	151-12	1/2"		3/4"	4-7/8"	11"	4-3/4"
SWSTM1428R-4	051-14	9/16"	14mm	7/8"	5-33/64"	12-19/32"	5-1/2"
SWSTM1632R-4	051-16	5/8"	16mm	1"	6-3/8"	14-9/32"	6-5/16"
SWSTM1936R-4	051-19	3/4"	19mm	1-1/8"	6-1/2"	15-29/32"	7-1/2"
SWSTM2240-4	051-22	7/8"	22mm	1-1/4"	8-7/16"	500 mm	241.3 mm
SWSTM2644R-4	051-26	1"	26mm	1-3/8"	8-11/16"	567.49 mm	290 mm



Swage Shroud Terminals - 316 Stainless

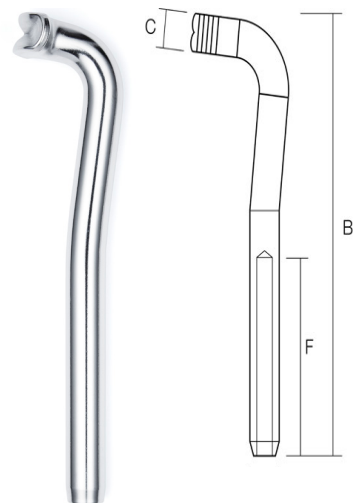
Part No.	Sta-Lok No.	Wire Diameter		B	C	F
		In	MM			
SWSHM04-4	045-04	5/32"	4mm	88.2mm	7.5mm	1-3/4"
SWSHM05-4	045-05	3/16"	5mm	103.8mm	9.1mm	2"
SWSHM06-4	045-06		6mm	130mm	12.5mm	2-1/2"
SWSHM07-4	045-07	9/32"	7mm	149mm	14.3mm	2-3/4"
SWSHM08-4	045-08	5/16"	8mm	168mm	16mm	3-1/8"
SWSHM10-4	045-10		10mm	197mm	17.8mm	3-15/16"
SWSHM12-4	045-12		12mm	241mm	21.4mm	5-3/16"



Pay special attention to the head thickness when ordering Shroud Terminals (Diagram Label C). The head thickness varies by manufacturer. Proper sizing is critical for fitting in backing plate. Measurements are provided by the manufacturer; visit <https://www.stalok.com/product/swage-shroud/> for manufacturer details.

Swage T-Terminals - 316 Stainless

Part No.	Sta-Lok No.	Wire Diameter		B	C	F
		In	MM			
SWTBM04-4	044-04	5/32"	4mm	101mm	7.5mm	1-3/4"
SWTBM05-4	044-05	3/16"	5mm	112mm	9mm	2"
SWTBM06-4	044-06		6mm	136mm	12.6mm	2-1/2"
SWTB08-4	144-06	1/4"		136mm	12.6mm	2-1/2"



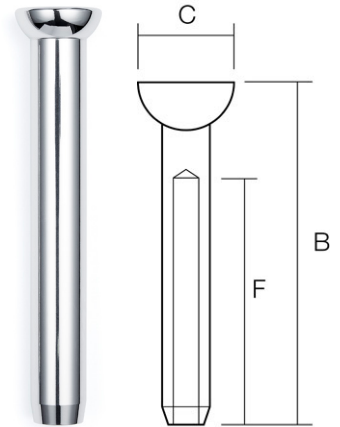
Pay special attention to the head thickness when ordering T-Terminals (Diagram Label C). The head thickness varies by manufacture. Proper sizing is critical for fitting in backing plate. Measurements are provided by the manufacturer; visit <https://www.stalok.com/product/swage-t/> for manufacturer details.



Swage Stemballs - 316 Stainless

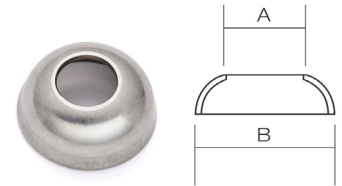
*Cup washers sold separately

Part No.	Sta-Lok No.	Wire Diameter		Cup Washer	B	C	F
		In	MM				
SWSBM04-4	142-04	5/32"	4mm	SBC05-4	2-3/4"	37/64"	1-3/4"
SWSBM05-4	042-05	3/16"	5mm	SBC06-4	3-1/16"	11/16"	2"
SWSBM05S-4	042-05Z	3/16"	5mm	SBC06-4	3-1/16"	9/16"	2"
SWSB07-4	142-55	7/32"		SBC07/08/09-4	3-2/64"	53/64"	2-3/8"
SWSBM06-4	042-06		6mm	SBC07/08/09-4	3-7/16"	13/16"	2-1/2"
SWSB08-4	142-06	1/4"		SBC07/08/09-4	3-27/64"	53/64"	2-3/8"
SWSB08S-4	142-07Z	1/4"		SBC07/08/09-4	3-13/16"	1-1/16"	2-3/8"
SWSBM07-4	142-07	9/32"	7mm	SBC07/08/09-4	3-13/16"	27/32"	2-3/4"
SWSBM08-4	042-08	5/16"	8mm	SBC10/12-4	4-1/4"	1-3/64"	3-5/32"
SWSB12-4	142-10	3/8"		SBC10/12-4	5-7/64"	1-3/32"	3-15/16"
SWSBM10-4	042-10		10mm	SBC10/12-4	5-7/8"	1-1/16"	3-15/16"
SWSB14-4	142-11	7/16"		N/A	6-3/4"	1-9/64"	4-3/4"
SWSBM12-4	042-12		12mm	N/A	6-3/4"	1-5/16"	4-3/4"
SWSBM12S-4	042-12E		12mm	N/A	6-11/16"	1-1/8"	4-3/4"
SWSB16-4	142-12	1/2"		N/A	6-3/4"	1-9/64"	4-3/4"
SWSBM14-4	042-14	9/16"	14mm	N/A	7-7/8"	1-1/4"	5-1/2"
SWSBM16-4	042-16	5/8"	16mm	N/A	8-11/16"	1-9/16"	6-5/16"
SWSBM19-4	042-19	3/4"	19MM	N/A	301.715 MM	2-1/8"	209 MM



Stemball Cup Washers - 316 Stainless

Part No.	Sta-Lok No.	Wire Diameter		A	B
		In	MM		
SBC05-4	142C-4	5/32"	4mm	23/64"	1-1/32"
SBC06-4	142C-5	3/16"	5mm	7/16"	1-1/32"
SBC07/08/09-4	142C-6-7	7/32", 1/4", 9/32"	6mm, 7mm	5/8"	1-1/32"
SBC10/12-4	142C-8-10	5/16", 3/8"	8mm, 10mm	25/32"	1-11/32"



STA-LOK®



Open Body Turnbuckles - Forged T-Toggle

Chromed bronze bodies with left-hand forged t-toggles made from 316 grade stainless steel. Supplied with clevis pin, and three cotter pins.



Part No.	Sta-Lok No.	UNF Thread	Pin Dia.	Jaw Gap	Min Breaking Load LBF
TBLH0808-4	UB20-14	1/4"	1/4"	19/64"	2907
TBLH1010-4	UB20-516	5/16"	5/16"	23/64"	4671
TBLH1212-4	UB20-38	3/8"	3/8"	27/64"	7176
TBLH1414-4	UB20-716	7/16"	7/16"	31/64"	9675
TBLH1616-4	UB20-12	1/2"	1/2"	33/64"	13,162

Supajust Turnbuckles - Forged T-Toggle

Supajust Turnbuckles feature high specification polished 316 stainless bodies with threaded bronze inserts permanently sealed in each end. The result ensures superb adjustment without the risk of stainless on stainless thread galling. Includes left hand forged t-toggle made from 316 stainless. Supplied with clevis pin, and three cotter pins.



Part No.	Sta-Lok No.	UNF Thread	Pin Dia.	Jaw Depth	Jaw Gap	Overall Width
TBSJLH1212-4	US20-38	3/8"	3/8"	1-7/64"	15/32"	7/8"
TBSJLH1414-4	US20-716	7/16"	7/16"	1-17/64"	33/64"	1-1/8"
TBSJLH1616-4	US20-12	1/2"	1/2"	1-11/32"	33/64"	1-1/4"
TBSJLH2020-4	US20-58	5/8"	5/8"	1-1/16"	3/4"	1-1/2"

Supajust Eye Turnbuckles - Eye-Toggle Jaw

Supajust Turnbuckles feature high specification polished 316 stainless bodies with threaded bronze inserts permanently sealed in each end. The result ensures superb adjustment without the risk of stainless on stainless thread galling. Includes left hand eye-toggle made from 316 stainless. Supplied with clevis pin, and three cotter pins.



Part No.	Sta-Lok No.	UNF Thread	Pin Dia.	Jaw Depth	Jaw Gap	Overall Width
TBSJLHET2424-4	S20 ET-34	3/4"	3/4"	2-1/4"	7/8"	2-9/16"
TBSJLHET2828-4	S20 ET-78	7/8"	7/8"	2- 1/2"	1"	3-1/16"
TBSJLHET3232-4	S20 ET-100	1"	1"	2-11/16"	1-1/8"	3-1/4"
TBSJLHET3636-4	S20 ET-118	1-1/8"	1-1/8"	2-3/4"	1-1/4"	3-1/2"
TBSJLHET4040-4	S20 ET-114	1-1/4"	1-1/4"	3-1/8"	1-3/8"	3-7/8"
TBSJLHET4444-4	S20 ET-138	1-3/8"	1-3/8"	3-7/8"	1-1/2"	4-5/16"

Supajust Turnbuckles Body Only

Supajust Turnbuckles feature high specification polished 316 stainless bodies with threaded bronze inserts permanently sealed in each end. The result ensures superb adjustment without the risk of stainless on stainless thread galling.

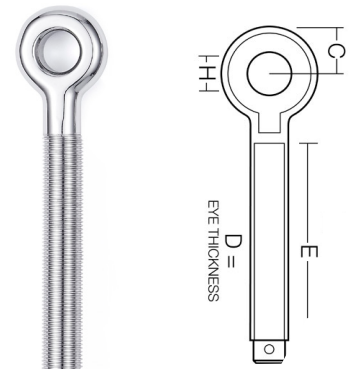


Part No.	Sta-Lok No.	UNF Thread	Body Length	Body Dia.
TBSJ16-4	S19-12	1/2"	7-5/32"	7/8"
TBSJ20-4	S19-58	5/8"	8-5/16"	1 1/8"
TBSJ24-4	S19-34	3/4"	9-3/4"	1 1/4"
TBSJ28-4	S19-78	7/8"	11-1/64"	1 3/8"
TBSJ32-4	S19-100	1"	12-13/32"	1 5/8"
TBSJ36-4	S19-118	1-1/8"	14 3/8"	1 7/8"
TBSJ40-4	S19-114	1-1/4"	17 1/8"	2 1/8"
TBSJ44-4	S19-138	1-3/8"	17 5/8"	2 1/2"



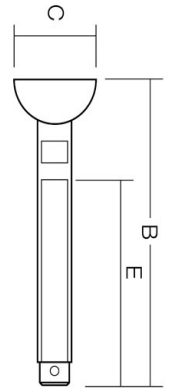
Threaded Eyes - 316 Stainless

Part No.	Sta-Lok No.	UNF Thread	Pin Dia.	C	D	E
TTE08L-4	C770-14	1/4" LH	1/4"	21/64"	15/64"	1-55/64"
TTE10L-4	C770-516	5/16" LH	5/16"	3/8"	1/4"	2-1/4"
TTE12L-4	C770-38	3/8" LH	3/8"	7/16"	19/64"	2-43/64"
TTE14L-4	C770-716	7/16" LH	7/16"	15/32"	23/64"	2-61/64"
TTE16L-4	C770-12	1/2" LH	1/2"	17/32"	29/64"	3-35/64"
TTE20L-4	C770-58	5/8" LH	5/8"	23/32"	17/32"	3-15/64"
TTE24L-4	C770-34	3/4" LH	3/4"	51/64"	45/64"	4-23/32"
TTE28L-4	C770-78	7/8"	7/8"	1"	53/64"	5-33/64"
TTE32L-4	C770-100	1"	1"	1-1/4"	31/32"	6-9/64"
TTE40L-4	C770-118	1-1/8"	1-1/8"	1-7/16"	1-5/64"	7-3/32"
TTE44L-4	C770-114	1-1/4"	1-1/4"	1-1/2"	1-13/64"	8-15/32"



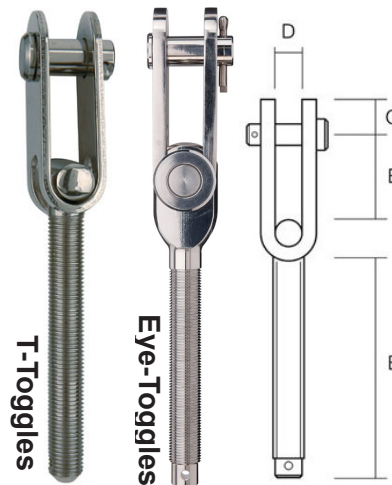
Threaded Stemballs - 316 Stainless

Part No.	Sta-Lok No.	UNF Thread	B	C	E
TSB08M14.6-4	186-14	1/4"	3-17/64"	9/16"	2-1/4"
TSB10M18-4	186-516	5/16"	3-1/2"	11/16"	2-31/64"
TSB12M20.3-4	186-38	3/8"	4-1/4"	13/16"	2-23/32"
TSB14M20.3-4	186-716	7/16"	4-11/16"	13/16"	2-61/64"
TSB16M26-4	186-12	1/2"	4-59/64"	1"	3-5/32"
TSB20M27-4	186-58	5/8"	5-5/8"	1-1/16"	3-55/64"
TSB24M28-4	186-34	3/4"	7-3/64"	1-1/8"	5-3/64"
TSB28M34-4	186-78	7/8"	210.24 MM	1-5/16"	5-1/2"
TSB32M39.5-4	186-100	1"	247 MM	1-9/16"	6-1/8"



Threaded T-Toggles - 316 Stainless

Part No.	Sta-Lok No.	UNF Thread	Pin Dia.	B	C	D	E	Overall Width
TTT1616L-4	U18-12	1/2" LH	1/2"	1-11/32"	43/64"	33/64"	3-3/16"	1-1/4"
TTT1616R-4	U15-12	1/2" RH	1/2"	1-11/32"	43/64"	33/64"	3-3/16"	1-1/4"
TTT2020L-4	U18-58	5/8" LH	5/8"	1-1/16"	25/32"	3/4"	3-57/64"	1-1/2"
TTT2020R-4	U15-58	5/8" RH	5/8"	1-1/16"	25/32"	3/4"	3-57/64"	1-1/2"

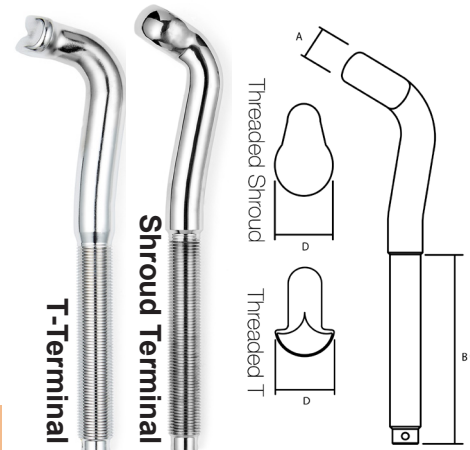


Threaded Eye-Toggles - 316 Stainless

Part No.	Sta-Lok No.	UNF Thread	Pin Dia.	B	C	D	E	Overall Width
TET2424L-4	ET18-34	3/4" LH	3/4"	2-1/4"	1"	7/8"	4-7/8"	2-9/16"
TET2424R-4	ET15-34	3/4" RH	3/4"	2-1/4"	1"	7/8"	4-7/8"	2-9/16"
TET2828L-4	ET18-78	7/8" LH	7/8"	2-1/2"	1-1/4"	1"	5-1/2"	3-1/16"
TET2828R-4	ET15-78	7/8" RH	7/8"	2-1/2"	1-1/4"	1"	5-1/2"	3-1/16"
TET3232L-4	ET18-100	1" LH	1"	2-11/16"	1-3/8"	1-1/8"	6-1/8"	3-1/4"
TET3232R-4	ET15-100	1" RH	1"	2-11/16"	1-3/8"	1-1/8"	6-1/8"	3-1/4"
TET3636L-4	ET18-118	1-1/8" LH	1-1/8"	2-3/4"	1-1/2"	1-1/4"	7-1/16"	3-1/2"
TET3636R-4	ET15-118	1-1/8" RH	1-1/8"	2-3/4"	1-1/2"	1-1/4"	7-1/16"	3-1/2"
TET4040L-4	ET18-114	1-1/4" LH	1-1/4"	3-1/8"	1-3/4"	1-3/8"	8-7/16"	3-7/8"
TET4040R-4	ET15-114	1-1/4" RH	1-1/4"	3-1/8"	1-3/4"	1-3/8"	8-7/16"	3-7/8"

Threaded T-Terminals - 316 Stainless

Part No.	Sta-Lok No.	UNF Thread	A	B	D
TTS08-4	187-14	1/4" LH	6.3mm	48mm	13.5mm
TTS10-4	187-516	5/16" LH	9.0mm	57mm	18.5mm
TTS12-4	187-38	3/8" LH	12.6mm	62mm	27.5mm
TTS14-4	187-716	7/16" LH	12.6mm	67mm	27.5mm
TTS16-4	187-12	1/2" LH	14.2mm	80mm	29.4mm
TTS20-4	187-58	5/8" LH	17.8mm	100mm	35.5mm



Threaded Shroud Terminals - 316 Stainless

Part No.	Sta-Lok No.	UNF Thread	A	B	D
TSH16-09-4	188-12	1/2" LH	14.4mm	90mm	27mm
TSH20-12-4	188-858	5/8" LH	16mm	90mm	30mm
TSH20-10-4	188-1058	5/8" LH	17.5mm	100mm	32mm
TSH24-12-4	188-34	3/4" LH	21.4mm	120mm	38mm

Pay special attention to the head thickness when ordering Shroud & T-Terminals (Diagram Label A). The head thickness varies by manufacture. Proper sizing is critical for fitting in backing plate. Visit <https://www.stalok.com/product-category/marine/threaded-end-fittings/> for manufacturer details.



The Sta-Lok system is a simple mechanical method of terminating 1x19, 7x7, 7x19, and compact strand wire ropes. Suitable for both right-hand lay and left-hand lay construction.

Hand fitted instead of machine swaged.

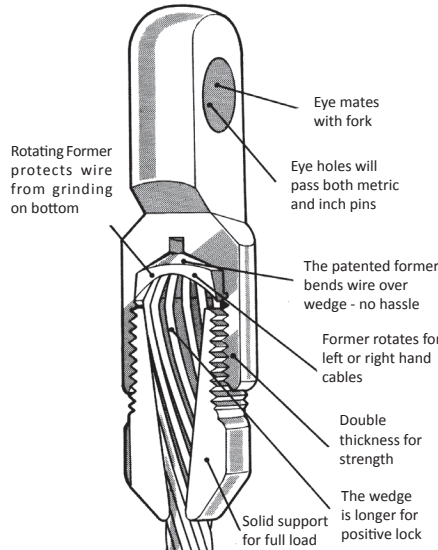
The Sta-Lok Terminal can be fitted on site using simple hand tools.

The Sta-Lok Terminal will work under constant loading and variable shock loading. In all situations, the Sta-Lok terminal has proven to be totally reliable.

Reusable.

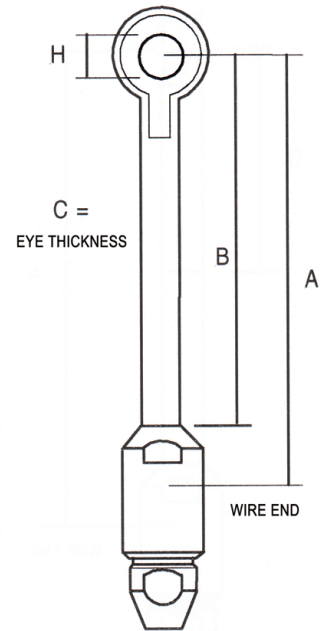
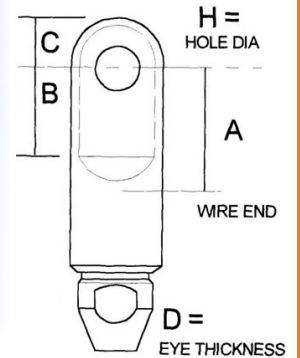
Manufactured from Type 316 stainless steel. All Sta-Lok Terminals are reusable* and require no servicing; they have a long life and very low maintenance costs.

*A new wedge component should be used. All Sta-Lok fittings for 1x19 wire. See page 7 for other wire constructions.



Sta-Lok Eyes - 316 Stainless

Part No.	Sta-Lok No.	Wire	H (Pin)	A	B	C	D
SLEY0408.....	033-03.....	1/8" / 3mm.....	1/4".....	45/64".....	25/64".....	1/4".....	13/64"
SLEY0510.....	033-04.....	5/32" / 4mm.....	5/16".....	51/64".....	37/64".....	5/16".....	15/64"
SLEYM0512.....	033-05.....	5mm.....	3/8".....	15/16".....	11/16".....	7/16".....	5/16"
SLEY0612.....	133-05.....	3/16".....	3/8".....	1-1/64".....	45/64".....	13/32".....	19/64"
SLEY0712.....	133-55-3/8.....	7/32".....	3/8".....	1-7/32".....	7/8".....	15/32".....	3/8"
SLEY0714.....	133-55.....	7/32".....	7/16".....	1-7/32".....	7/8".....	15/32".....	3/8"
SLEY0716.....	133-55-1/2.....	7/32".....	1/2".....	1-7/32".....	7/8".....	1/2".....	3/8"
SLEYM0616.....	033-06.....	6mm.....	1/2".....	1-4/16".....	7/8".....	1/2".....	3/8"
SLEY0812.....	133-06-3/8.....	1/4".....	3/8".....	1-7/32".....	7/8".....	1/2".....	3/8"
SLEY0814.....	133-06-7/16.....	1/4".....	7/16".....	1-7/32".....	7/8".....	15/32".....	3/8"
SLEY0816.....	133-06.....	1/4".....	1/2".....	1-7/32".....	7/8".....	1/2".....	3/8"
SLEY0916.....	033-07.....	9/32" / 7mm.....	1/2".....	1-9/32".....	31/32".....	17/32".....	27/64"
SLEY1016.....	033-08-1/2.....	5/16" / 8mm.....	1/2".....	1-13/32".....	1-1/16".....	9/16".....	15/32"
SLEY1020.....	033-08-5/8.....	5/16" / 8mm.....	5/8".....	1-13/32".....	1-1/16".....	5/8".....	17/32"
SLEYM1020.....	033-10.....	10mm.....	5/8".....	1-5/8".....	1-1/8".....	11/16".....	9/16"
SLEYM1024.....	033-10-3/4.....	10mm.....	3/4".....	1-5/8".....	1-1/8".....	3/4".....	9/16"
SLEY1220.....	133-10.....	3/8".....	5/8".....	1-9/16".....	1-5/32".....	45/64".....	17/32"
SLEY1224.....	133-10-3/4.....	3/8".....	3/4".....	1-5/8".....	1-5/32".....	3/4".....	17/32"
SLEY1424.....	133-11.....	7/16".....	3/4".....	1-11/16".....	1-5/16".....	57/64".....	3/4"
SLEYM1224.....	033-12.....	12mm.....	3/4".....	1 11/16".....	1-5/16".....	7/8".....	3/4"
SLEY1624.....	133-12.....	1/2".....	3/4".....	1-11/16".....	1-5/16".....	57/64".....	3/4"
SLEY1628.....	133-12-7/8.....	1/2".....	7/8".....	1-11/16".....	1-5/16".....	15/16".....	3/4"
SLEY1828.....	033-14.....	9/16" / 14mm.....	7/8".....	2-3/16".....	1-1/2".....	1".....	51/64"
SLEY2028.....	033-16.....	5/8" / 16mm.....	7/8".....	2-33/64".....	1-37/64".....	1-5/16".....	51/64"
SLEY2032.....	033-16-1.....	5/8" / 16mm.....	1".....	2-33/64".....	1-37/64".....	1-5/16".....	51/64"
SLEY2436.....	033-19.....	3/4" / 19mm.....	1-1/8".....	2-11/16".....	1-15/16".....	1-7/16".....	1-1/16"
SLEY2844.....	033-22.....	7/8" / 22mm.....	1-3/8".....	4-13/16".....	2-3/8".....	1-9/16".....	1-5/16"
SLEY3244.....	033-26.....	1" / 26mm.....	1-3/8".....	5-1/16".....	2-3/8".....	1-11/16".....	1-5/16"



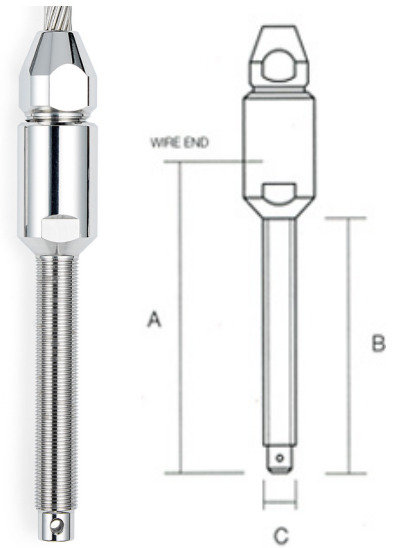
Sta-Lok Long Eyes - 316 Stainless

Part No.	Sta-Lok No.	Wire	H (Pin)	A	B	C
SLEYLM0512.....	078-05.....	5mm.....	3/8".....	4 3/16".....	3 1/4".....	5/16"
SLEYL0612.....	178-05.....	3/16".....	3/8".....	4-3/16".....	3-1/4".....	19/64"
SLEYL0712.....	178-55-3/8.....	7/32".....	3/8".....	4-7/8".....	3-15/16".....	3/8"
SLEYL0714.....	178-55.....	7/32".....	7/16".....	4-7/8".....	3-15/16".....	3/8"
SLEYLM0612.....	078-06-3/8.....	6mm.....	3/8".....	4-15/16".....	3-15/16".....	5/16"
SLEYLM0614.....	078-06.....	6mm.....	7/16".....	5-13/16".....	4-5/8".....	1/2"
SLEYLM0616.....	078-06-1/2.....	6mm.....	1/2".....	5-13/16".....	4-5/8".....	1/2"
SLEYL0812.....	178-06-3/8.....	1/4".....	3/8".....	4-7/8".....	3-15/16".....	3/8"
SLEYL0816.....	178-06.....	1/4".....	1/2".....	5-3/4".....	4-5/8".....	15/32"
SLEYL0916.....	078-07.....	9/32" / 7mm.....	1/2".....	5-25/32".....	4-5/8".....	15/32"
SLEYL1016.....	078-08.....	5/16" / 8mm.....	1/2".....	5-3/4".....	4-5/8".....	15/32"
SLEYL1020.....	078-08-5/8.....	5/16" / 8mm.....	5/8".....	6-5/8".....	5-1/2".....	17/32"
SLEYLM1020.....	078-10.....	10mm.....	5/8".....	6-7/8".....	5 3/8".....	9/16"
SLEYL1220.....	178-10.....	3/8".....	5/8".....	6-27/32".....	5-1/2".....	17/32"
SLEYL1424.....	178-11.....	7/16".....	3/4".....	10".....	8-1/8".....	3/4"
SLEYLM1224.....	078-12.....	12mm.....	3/4".....	10".....	8-1/8".....	3/4"
SLEYL1624.....	178-12.....	1/2".....	3/4".....	10".....	8-1/8".....	3/4"



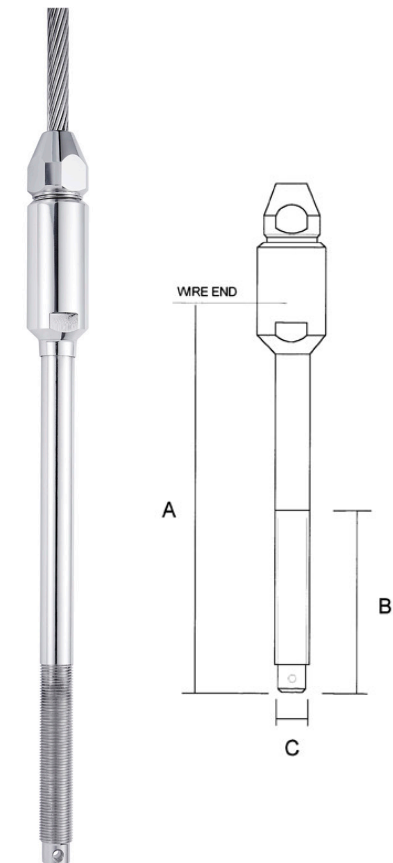
Stud Terminals - 316 Stainless

Part No.	Sta-Lok No.	Wire	C (Thread)	A	B
SLST0408	036-03	1/8" / 3mm	1/4"	2-7/16"	2-3/16"
SLST0508	036-04-1/4	5/32" / 4mm	1/4"	2-17/32"	2-5/16"
SLST0510	036-04	5/32" / 4mm	5/16"	2-7/16"	2-3/16"
SLSTM0510	036-05-5/16	5mm	5/16"	2-3/4"	2-5/16"
SLSTM0512	036-05	5mm	3/8"	3-1/16"	2-5/8"
SLST0610	136-05-5/16	3/16"	5/16"	2-9/16"	2-5/16"
SLST0612	136-05	3/16"	3/8"	3-1/16"	2-5/8"
SLST0712	136-55	7/32"	3/8"	3-5/16"	2-5/8"
SLST0714	136-55-7/16	7/32"	7/16"	3-21/32"	2-15/16"
SLSTM0612	036-06-3/8	6mm	3/8"	3-5/16"	2-5/8"
SLSTM0614	036-06	6mm	7/16"	3-11/16"	2-15/16"
SLST0812	136-06-3/8	1/4"	3/8"	3-5/16"	2-5/8"
SLST0814	136-06-7/16	1/4"	7/16"	3-21/32"	2-15/16"
SLST0816	136-06-1/2	1/4"	1/2"	3-11/16"	3-3/16"
SLST0916	036-07	9/32" / 7mm	1/2"	3-13/16"	3-3/16"
SLST1016	036-08	5/16" / 8mm	1/2"	3-7/8"	3-13/16"
SLST1020	036-08-5/8	5/16" / 8mm	5/8"	4-11/32"	3-3/4"
SLSTM1020	036-10	10mm	5/8"	4-3/8"	3-3/4"
SLSTM1024	036-10-3/4	10mm	3/4"	5-1/16"	4-7/8"
SLST1220	136-10	3/8"	5/8"	4-3/8"	3-3/4"
SLST1224	136-10-3/4	3/8"	3/4"	5-1/16"	4-7/8"
SLST1424	136-11	7/16"	3/4"	5-15/32"	4-7/8"
SLST1428	136-11-7/8	7/16"	7/8"	6-5/8"	5-1/2"
SLSTM1224	036-12	12mm	3/4"	5-1/2"	4-7/8"
SLSTM1228	036-12-7/8	12mm	7/8"	6-5/8"	5-1/2"
SLST1624	136-12	1/2"	3/4"	5-15/32"	4-7/8"
SLST1628	136-12-7/8	1/2"	7/8"	5-5/8"	5-1/2"
SLST1828	036-14	9/16" / 14mm	7/8"	6-11/16"	5-1/2"
SLST2032	036-16	5/8" / 16mm	1"	6-25/32"	5-1/2"
SLST2436	036-19	3/4" / 19mm	1-1/8"	8-1/16"	6-3/4"
SLST2840	036-22	7/8" / 22mm	1-1/4"	11-1/16"	8-15/16"
SLST3244	036-25	1" / 26mm	1-3/8"	11-11/16"	9-1/8"



Long Stud Terminals - 316 Stainless

Part No.	Sta-Lok No.	Wire	C (Thread)	A	B
SLSTL0510	076-04	5/32" / 4mm	5/16"	5-9/16"	2-1/8"
SLSTLM0510	076-05-5/16	5mm	5/16"	6-1/16"	2-1/8"
SLSTLM0512	076-05	5mm	3/8"	6-9/16"	2-5/8"
SLSTL0610	176-05-5/16	3/16"	5/16"	6-1/16"	2-1/8"
SLSTL0612	176-05	3/16"	3/8"	6-9/16"	2-5/8"
SLSTL0712	176-55	7/32"	3/8"	7-3/32"	2-5/8"
SLSTL0714	176-55-7/16	7/32"	7/16"	7-27/64"	3"
SLSTLM0612	076-06-3/8	6mm	3/8"	7-1/8"	2-5/8"
SLSTLM0614	076-06	6mm	7/16"	7-7/16"	3"
SLSTL0812	176-06-3/8	1/4"	3/8"	7-3/32"	2-5/8"
SLSTL0816	176-06-1/2	1/4"	1/2"	8-7/8"	3-1/4"
SLSTL0916	076-07	9/32" / 7mm	1/2"	8-7/8"	3-1/4"
SLSTL1016	076-08	5/16" / 8mm	1/2"	8-7/8"	3-1/4"
SLSTL1020	076-08-5/8	5/16" / 8mm	5/8"	10-11/16"	3-3/4"
SLSTLM1020	076-10	10mm	5/8"	10-3/4"	3-3/4"
SLSTL1220	176-10	3/8"	5/8"	10-23/32"	3-3/4"
SLSTL1424	176-11	7/16"	3/4"	13-3/8"	4-17/32"
SLSTLM1224	076-12	12mm	3/4"	13-3/8"	4-9/16"
SLSTL1624	176-12	1/2"	3/4"	13-3/8"	4-17/32"

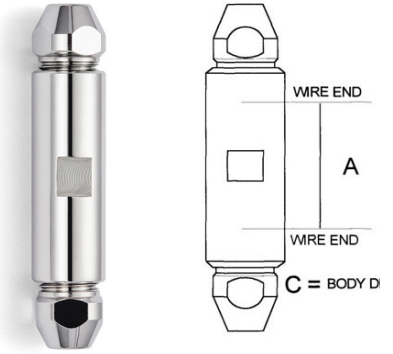




Connectors - 316 Stainless

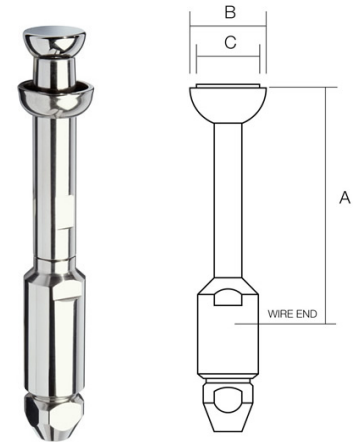
Used to connect two pieces of wire or for making connections to Stemballs or T-Balls.

Part No.	Sta-Lok No.	Wire	A	C (Body Dia.)
SLSC05	072-04	5/32" / 4mm	7/16"	9/16"
SLSC06	172-05	3/16"	5/8"	5/8"
SLSCM06	072-06	6mm	13/16"	3/4"
SLSC08	172-06	1/4"	5/8"	3/4"
SLSC09	172-07	9/32" / 7mm	3/4"	7/8"
SLSC10	172-08	5/16" / 8mm	3/4"	1"
SLSCM10	072-10	10mm	15/16"	1-1/8"
SLSC12	172-10	3/8"	3/4"	1-1/8"
SLSC14	172-11	7/16"	1"	1-3/8"
SLSCM12	072-12	12mm	1"	1-3/8"
SLSC16	172-12	1/2"	1"	1-3/8"



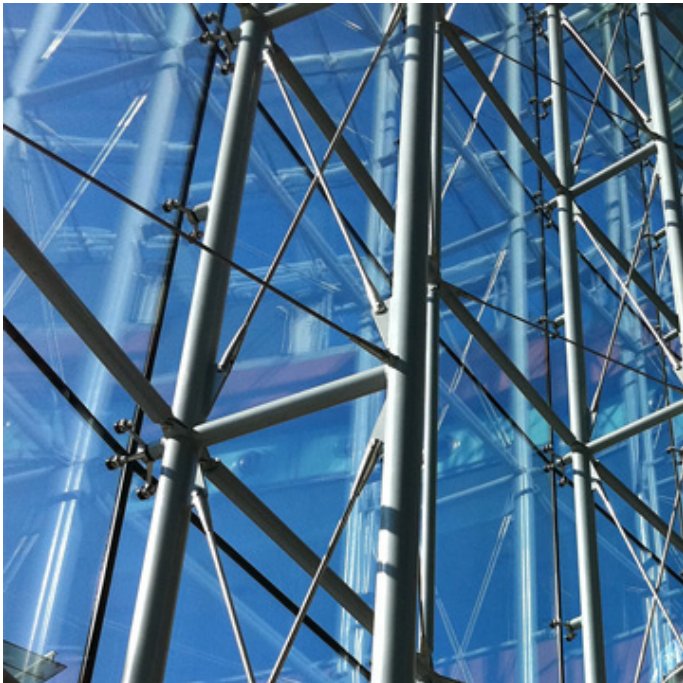
Stemballs - 316 Stainless

Part No.	Sta-Lok No.	Wire	A	C
SLSB07	146-55	7/32"	3-3/4"	13/16"
SLSBM06	046-06	6mm	3-3/4"	13/16"
SLSB08	146-06	1/4"	3-3/4"	13/16"
SLSB09	046-07	9/32" / 7mm	4-5/16"	7/8"
SLSB10	046-08	5/16" / 8mm	4-15/16"	1-1/16"
SLSBM10	046-10	10mm	6-5/8"	1-1/16"
SLSB12	146-10	3/8"	6-5/8"	1-1/16"



Stemball Cups - 316 Stainless

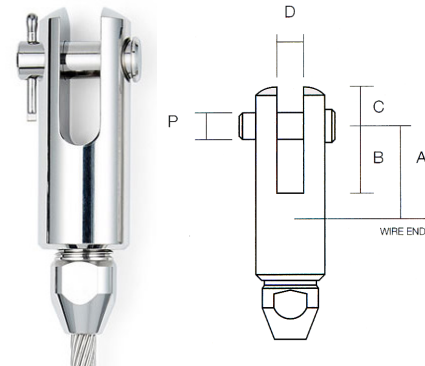
Part No.	Sta-Lok No.	Wire	A	B
SBC05-4	042C-4	5/32" / 4mm	0.354	1.024
SBC06-4	042C-5	3/16" / 5mm	0.441	1.024
SBC07/08/09-4	042C-6/7	7/32", 1/4", 9/32" / 6-7mm	0.630	1.024
SBC10/12-4	042C-8/10	5/16", 3/8" / 8-10mm	0.787	1.339





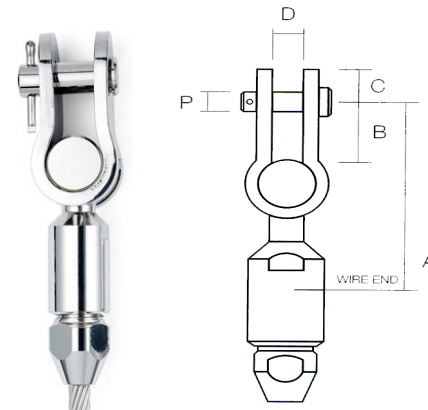
Fork Terminals - 316 Stainless

Table with 8 columns: Part No., Sta-Lok No., Wire, Pin, A, B, C, D. Lists various part numbers and their dimensions.



Toggle Fork Terminals - 316 Stainless

Table with 8 columns: Part No., Sta-Lok No., Wire, Pin, A, B, C, D. Lists various part numbers and their dimensions.

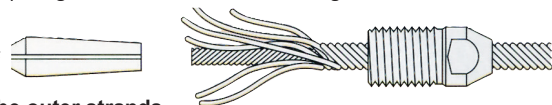


Sta-Lok Installation

1. Unravel the wire.

Slide the socket end over the wire and unravel the outer strands (one strand at a time) 2-3 inches exposing the center core. Slide the wedge over the central core, as shown.

Tip: Use a screwdriver to pry strands loose one at a time.

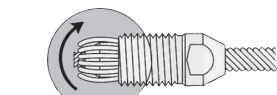
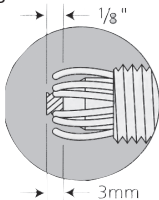


2. Reposition the outer strands.

Twist the wire so that it reforms around the wedge. Insure that the strands protrude 1/8" (2-3mm) from the eye of the wedge.

3. Push the socket over the wedge.

Individual strands should not overlap! Make sure the strands are evenly spaced around the wedge. Do not let a strand slip into the slot in the wedge.

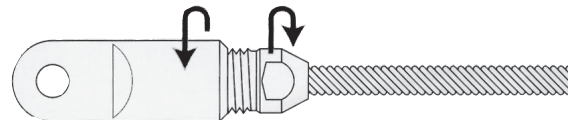
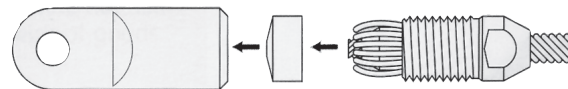


Tip: Push the socket towards the end of the wire while repositioning strands.

Important! Put a couple of drops of Loctite on the starting threads when first assembling the terminal. The Loctite will act as a lubricant and ensure that the threads will not gall. Loctite will also ensure that the terminal will not loosen after the final assembly. See pg 20 for Loctite.

4. Initial forming process.

The initial forming process begins when you start screwing the terminal and socket together. Do not overtighten! When you bottom out - stop! Unscrew the fitting to ensure that the strands are evenly formed around the wedge. There should be no overlapping strands and the slot in the wedge should not have any trapped wire. The wedge must compress! The slot must be clear for tightening!



5. Final assembly.

Fill the cavity of the terminal's body about 1/2 full of Life Caulk and place a few drops of Loctite on the threads. Reassemble the fitting and tighten to the point of bottoming out. Do not overtighten!

Overtightening will damage the threads and wire, and may render the terminal impossible to reuse at a later date.



Terminal-to-Terminal Insulators - 316 Stainless

Part No.	Sta-Lok No.	Wire	BL	Length	Dia.
SLIN07	143-55	7/32"	9,000 lb.	7-1/2"	1-3/8"
SLINM06	043-06	6mm	8,994 lb.	4.488	1-3/8"
SLIN08	143-06	1/4"	9,000 lb.	7-1/2"	1-3/8"
SLIN09	043-07	9/32" / 7mm	15,000 lb.	8"	1-1/2"
SLIN10	043-08	5/16" / 8mm	15,000 lb.	8"	1-1/2"
SLINM10	043-10	10mm	21,605 lb.	4.764	1-5/8"
SLIN12	143-10	3/8"	21,900 lb.	9"	1-5/8"
SLIN14	143-11	7/16"	29,607 lb.	11-3/16"	2"
SLINM12	043-12	12mm	29,607 lb.	5.866	2-1/6"
SLIN16	143-12	1/2"	29,607 lb.	11-3/16"	2"



Insulator Body Only - 316 Stainless

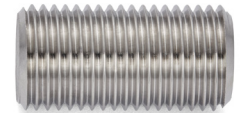
Part No.	Sta-Lok No.	Wire	BL
SLINB08	206-06	6mm, 7/32", 1/4"	9,000
SLINB10	206-08	7mm, 8mm, 9/32", 5/16"	15,000
SLINB12	206-10	10mm, 3/8"	21,900
SLINB14/16*	206-12	12mm, 7/16", 1/2"	29,607

*Achieves 93% of rated breaking load on 12mm Compact Strand Wire.



Insulator Eye Kits - 316 Stainless

Part No.	Sta-Lok No.	Fits Insulator Body	Eye Thickness	Pin Dia.
SLIEKM0614	20907-55	SLINB08	0.375"	7/16"
SLIEKM0616	20907-06	SLINB08	0.375"	1/2"
SLIEKM0716	20907-07	SLINB10	0.413"	1/2"
SLIEKM0816	20907-08	SLINB10	0.472"	1/2"
SLIEKM0820	20907-08-5/8	SLINB10	0.531"	5/8"
SLIEKM1020	20907-10	SLINB12	0.531"	5/8"
SLIEKM1224	20907-12	SLINB14/16	0.748"	3/4"



Terminal Ends - 316 Stainless (Includes terminal end, wedge and former)

Part No.	Sta-Lok No.	Wire
SLTEM04	208-04	5/32", 4mm
SLTEM05	208-05	5mm
SLTE06	211-05	3/16"
SLTE07	211-55	7/32"
SLTEM06	208-06	6mm
SLTE08	211-06	1/4"
SLTEM07	208-07	9/32", 7mm
SLTE09IN*	227-07	9/32", 7mm
SLTE10	208-08	5/16", 8mm
SLTEM10	208-10	10mm
SLTE12	211-10	3/8"
SLTE14	211-11	7/16"
SLTEM12	208-12	12mm
SLTE16	211-12	1/2"

*SLTE09 is a special terminal kit for insulators ONLY



Bar Toggles - 316 Stainless

Part No.	Sta-Lok No.	Pin Dia	Pin Center to Hole Center	Fork Width
SLBT10	S-516BT	5/16"	1 1/2"	5/16"
SLBT12	S-38BT	3/8"	1 3/4"	3/8"
SLBT14	S-716BT	7/16"	2 5/16"	7/16
SLBT16	S-12BT	1/2"	2 11/16"	1/2"
SLBT20	S-58BT	5/8"	2 3/4"	5/8"
SLBT24	S-34BT	3/4"	3 1/4"	3/4"
SLBT28	S-78BT	7/8"	4 1/16"	7/8"
SLBT32	S-100BT	1"	4 3/8"	1"
SLBT34	S-118BT	1 1/8"	5 3/4"	1 1/18"
SLBT40	S-114BT	1 1/4"	6 3/4"	1 1/4"
SLBT44	S-138BT	1 3/8"	7 1/4"	1 3/8"





The diameter of rigging wire is made either to nominal fractional inch or metric dimensions (mm). In some sizes, the wedges are interchangeable. Sta-Lok terminals must use a specific fractional or metric size wedge, however, some wedge sizes are identical.

The fractional / metric wedge table below will help you with this distinction

MM	Inch	
3	1/8	Wedges are identical
4	5/32	Wedges are identical
5	3/16	Wedges are different
6	1/4	Wedges are different
7	9/32	Wedges are identical
8	5/16	Wedges are identical
10	3/8	Wedges are different
11	7/16	Wedges are identical
12	1/2	Wedges are different
14	9/16	Wedges are identical
16	5/8	Wedges are identical
19	3/4	Wedges are identical



1x19 Wedges

Part No.	Sta-Lok No.	Wire (Inch)	Wire (mm)
SLWM03	126-03	1/8"	3mm
SLWM04	126-04	5/32"	4mm
SLWN06	138-05	3/16"	
SLWM05	126-05		5mm
SLWN07	138-55	7/32"	
SLWM06	126-06		6mm
SLWN08	138-06	1/4"	
SLWM07	126-07	9/32"	7mm
SLWM08	126-08	5/16"	8mm
SLWN12	138-10	3/8"	
SLWM10	126-10		10mm
SLWN14	138-11	7/16"	11mm
SLWM12	126-12		12mm
SLWN16	138-12	1/2"	
SLWM14	126-14	9/16"	14mm
SLWM16	126-16	5/8"	16mm
SLWM19	126-19	3/4"	19mm



7 Strand Wedges

Part No.	Sta-Lok No.	Wire (Inch)	Wire (mm)
SLWSM04	154-04	5/32"	4mm
SLWS06	139-05	3/16"	
SLWSM05	127-05		5mm
SLWSM06	127-06		6mm
SLWS08	139-06	1/4"	
SLWSM07	127-07	9/32"	7mm
SLWSM08	127-08	5/16"	8mm
SLWS12	139-10	3/8"	
SLWSM10	127-10		10mm



Wedges for Dyform® Brand Wire

1x19 Construction unless otherwise specified.

Part No.	Sta-Lok No.	Wire Diameter
SLWDM04*	154-04	4mm
SLWDM05	154-05	5mm
SLWDM06	154-06	6mm
SLWDM07	154-07	7mm
SLWDM08	154-08	8mm
SLWDM10	154-10	10mm
SLWDM12	154-12	12mm
SLWDM14**	154-14	14mm
SLWDM16***	154-16	16mm
SLWDM19***	154-19	19mm

* 1x7 Construction
 ** 1x25 Construction
 *** 1x31 Construction



Wedges for KOS Compact Strand Wire

1x19 Construction unless otherwise specified.

Part No.	Sta-Lok No.	Wire Diameter
SLWDM04*	154-04	4mm
SLWDM05	154-05	5mm
SLWCM06	154-06C	6mm
SLWCM07	154-07C	7mm
SLWDM08	154-08	8mm
SLWDM10	154-10	10mm
SLWCM12	154-12C	12mm
SLWCM14-1x19	154-14C19	14mm
SLWCM14-1x36	154-14C36	14mm
SLWCM16**	154-16C36	16mm
SLWCM19**	154-19C36	19mm

* 1x7 Construction
 ** 1x36 Construction



Formers

Part No.	Sta-Lok No.	Wire (Inch)	Wire (mm)
SLFO04	115-03	1/8"	3mm
SLFO05	155-04	5/32"	4mm
SLFO06	155-05	3/16"	5mm
SLFO08	115-06	1/4"	6mm
SLFO09	115-07	9/32"	7mm
SLFO10	115-08	5/16"	8mm
SLFO12	115-10	3/8"	10mm
SLFO16	115-12	1/2"	12mm
SLFO18	115-14	9/16"	14mm
SLFO20	115-16	5/8"	16mm
SLFO24	115-19	3/4"	19mm



Note!

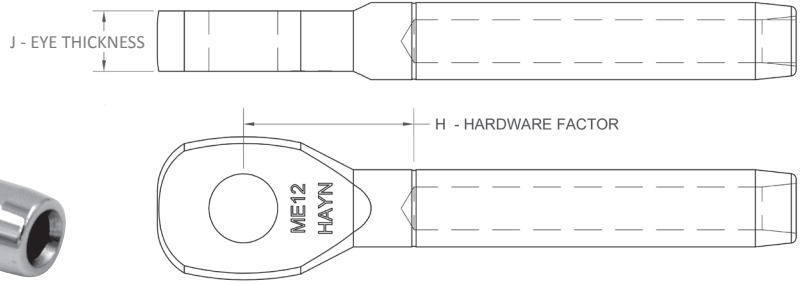
For certain wire diameters the Sta-Lok wedges for Dyform® wire and KOS Compact Strand wire are interchangeable. For other diameters they are not. It is critical to the performance of Sta-Lok fittings to use the correct wedge. See the listings above. If you have any questions regarding which wedge to use, please contact us.

Important!

Sta-Lok wedges shown on this page are intended for Sta-Lok terminal ends with either two- or four-wrench flats. Some older Sta-Lok fittings had more than four-wrench flats and are not compatible with current wedges. If you have any questions regarding the identification of a Sta-Lok fitting or need a larger size, please contact us.

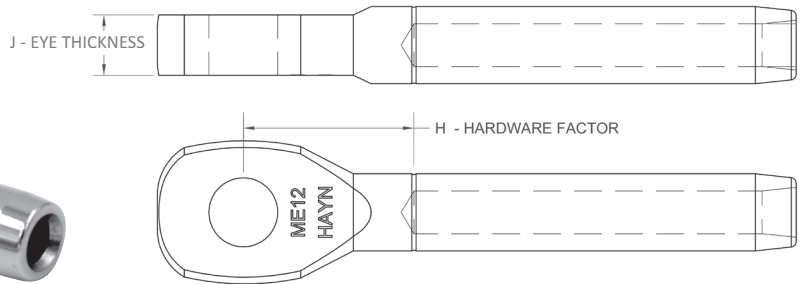


Swage Marine Eyes - 316 Stainless



Part No.	Hayn No.	Wire Diameter		Pin Dia.	H-Hardware Factor	J - Eye Thickness	Weight Lbs.
		In	MM				
SWME0308-3	ME3	3/32"		1/4"	13/16"	7/32"	0.03
SWME0408-3	ME4	1/8"		1/4"	11/16"	7/32"	0.04
SWMEM0410-3	MEM04	5/32"	4mm	5/16"	13/16"	1/4"	0.05
SWME0612-3	ME6	3/16"		3/8"	15/16"	5/16"	0.09
SWMEM0512-3	MEM05		5mm	3/8"	15/16"	5/16"	0.09
SWME0712-3	ME7DS	7/32"		3/8"	1-1/8"	5/16"	0.16
SWME0714-3	ME7	7/32"		7/16"	1-1/8"	3/8"	0.17
SWMEM0616-3	MEM06		6mm	1/2"	1-1/8"	3/8"	0.22
SWME0814-3	ME8DS	1/4"		7/16"	1-5/32"	3/8"	0.24
SWME0816-3	ME8	1/4"		1/2"	1-1/8"	3/8"	0.22
SWMEM0716-3	MEM07	9/32"	7mm	1/2"	1-3/32"	15/32"	0.28
SWMEM0816-3	MEM08A	5/16"	8mm	1/2"	1-3/16"	1/2"	0.44
SWMEM0820-3	MEM08	5/16"	8mm	5/8"	1-5/16"	1/2"	0.37
SWME1220-3	ME12	3/8"		5/8"	1-9/16"	9/16"	0.57
SWMEM1020-3	MEM10		10mm	5/8"	1-9/16"	9/16"	0.57
SWME1424-3	ME14	7/16"		3/4"	1-15/16"	11/16"	0.99
SWMEM1224-3	MEM12		12mm	3/4"	2-7/32"	11/16"	1.12
SWMEM1228-3	MEM12US		12mm	7/8"	2-1/16"	7/8"	1.32
SWME1624-3	ME16A	1/2"		3/4"	2-7/32"	11/16"	1.25
SWME1628-3	ME16	1/2"		7/8"	2-1/16"	7/8"	1.12
SWMEM1428-3	MEM14	9/16"	14mm	7/8"	2-1/4"	13/16"	1.65
SWMEM1632-3	MEM16	5/8"	16mm	1"	2-5/16"	15/16"	2.32
SWMEM1936-3	MEM19	3/4"	19mm	1-1/8"	2-1/2"	1-1/32"	4.14

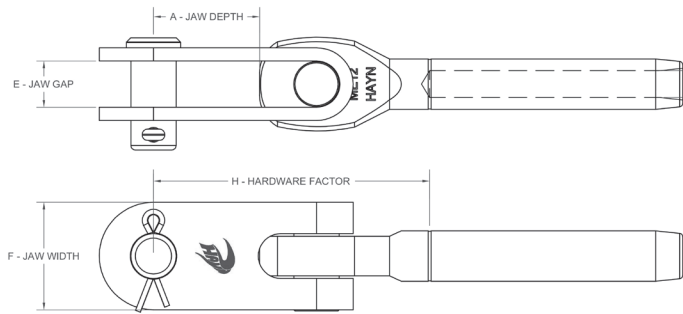
Swage Marine Eyes for Compact Strand Wire - 316 Stainless



Part No.	Hayn No.	Wire Diameter	Pin Dia.	H-Hardware Factor	J - Eye Thickness	Weight Lbs.
SWMECSM0616-3	MEM06-CS	6mm	1/2"	1-1/8"	3/8"	0.24
SWMECSM0820-3	MEM08-CS	8mm	5/8"	1-5/16"	1/2"	0.49
SWMECSM1020-3	MEM10-CS	10mm	5/8"	1-9/16"	9/16"	0.65
SWMECSM1024-3	MEM10US-CS	10mm	3/4"	2-1/16"	11/16"	0.89
SWMECSM1224-3	MEM12-CS	12mm	3/4"	2-7/32"	11/16"	1.26
SWMECSM1228-3	MEM12US-CS	12mm	7/8"	2-1/16"	7/8"	1.40
SWMECSM1428-3	MEM14-CS	14mm	7/8"	2-1/4"	13/16"	1.84
SWMECSM1632-3	MEM16-CS	16mm	1"	2-5/16"	15/16"	2.47
SWMECSM1936-3	MEM19-CS	19mm	1-1/8"	2-1/2"	1-1/32"	4.14

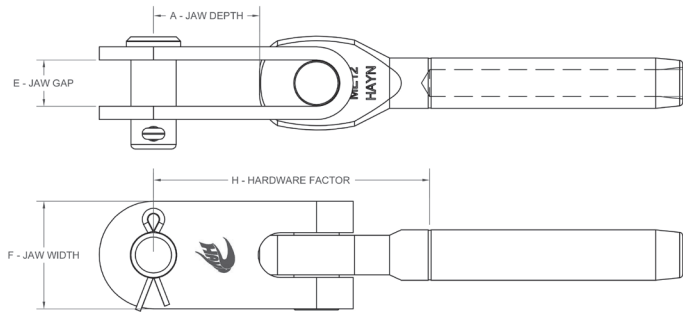


Swage Eye Toggles - 316 Stainless



Part No.	Hayn No.	Wire Diameter		Pin Dia.	A-Jaw Depth	E-Jaw Gap	F-Jaw Width	H-Hardware Factor	Weight Lbs.
		In	MM						
SWET0408-3	14RT18	1/8"		1/4"	9/16"	1/4"	5/8"	1 5/8"	0.09
SWETM0410-3	516RTM04	5/32"	4mm	5/16"	5/8"	5/16"	3/4"	1 3/4"	0.14
SWET0610-3	516RT316	3/16"		5/16"	19/32"	5/16"	3/4"	1 3/4"	0.17
SWET0612-3	38RT316-X	3/16"		3/8"	1 1/8"	3/8"	7/8"	2 17/32"	0.28
SWETM0616-3	12RTM06-X		6mm	1/2"		1/2"	1 5/32"	2 13/16"	0.57
SWET0712-3	38RT732	7/32"		3/8"	11/16"	3/8"	29/32"	2-3/32"	0.36
SWET0714-3	716RT732	7/32"		7/16"	1 5/8"	7/16"	1 1/16"	2 7/8"	0.55
SWET0816-3	12RT14-X	1/4"		1/2"	1 3/8"	1/2"	1 5/32"	3 1/8"	0.58
SWETM0716-3	12RTM07-X	9/32"	7mm	1/2"	1 3/8"	1/2"	1 5/32"	3 1/16"	0.66
SWETM0816-3	12RTM08-X	5/16"	8mm	1/2"	1 3/8"	1/2"	1 5/32"	3 3/16"	0.78
SWETM0820-3	58RTM08-X	5/16"	8mm	5/8"	1 11/16"	5/8"	1 1/2"	3 13/16"	1.20
SWET1220-3	58RT38-X	3/8"		5/8"	1 11/16"	5/8"	1 1/2"	4 1/16"	1.27
SWETM1020-3	58RTM10-X		10mm	5/8"	1 11/16"	5/8"	1 1/2"	4 1/16"	1.27
SWET1424-3	34RT716-X	7/16"		3/4"	2 1/16"	3/4"	1 7/8"	4 15/16"	2.25
SWETM1224-3	34RTM12-X		12mm	3/4"	2 1/16"	3/4"	1 7/8"	5 1/4"	2.25
SWET1624-3	34RT12-X	1/2"		3/4"	2 1/16"	3/4"	1 7/8"	5 1/4"	2.25
SWETM1428-3	78RTM14	9/16"	14mm	7/8"	2 31/32"	7/8"	2 3/8"	6 7/32"	4.35
SWETM1632-3	1RTM16	5/8"	16mm	1"	2 5/8"	1"	2 1/2"	6 1/8"	5.49
SWETM1936-3	118RTM19	3/4"	19mm	1 1/8"	2 3/4"	1 1/8"	2 3/4"	6 1/2"	9.04
SWETM1940-3	114RTM19	3/4"	19mm	1 1/4"	3 7/8"	1 1/4"	3 1/4"	8 7/8"	12.25

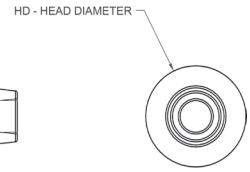
Swage Eye Toggles for Compact Strand Wire - 316 Stainless



Part No.	Hayn No.	Wire Diameter	Pin Dia.	A-Jaw Depth	E-Jaw Gap	F-Jaw Width	H-Hardware Factor	Weight Lbs.
SWETCSM0616-3	12RTM06-CS-X	6mm	1/2"	1 3/8"	1/2"	1 5/32"	3 1/8"	0.58
SWETCSM0820-3	58RTM08-CS-X	8mm	5/8"	1 11/16"	5/8"	1 1/2"	3 13/16"	1.20
SWETCSM1020-3	58RTM10-CS-X	10mm	5/8"	1 11/16"	5/8"	1 1/2"	4 1/16"	1.27
SWETCSM1224-3	34RTM12-CS-X	12mm	3/4"	2 1/16"	3/4"	1 7/8"	5 1/4"	2.25
SWETCSM1228-3	78RTM12-CS	12mm	7/8"	2 7/8"	7/8"	2 3/8"	6 1/32"	4.45
SWETCSM1428-3	78RTM14-CS	14mm	7/8"	2 31/32"	7/8"	2 3/8"	6 7/32"	5.10
SWETCSM1432-3	1RTM14-CS	14mm	1"	2 5/8"	1"	2 1/2"	6 1/8"	6.10
SWETCSM1632-3	1RTM16-CS	16mm	1"	2 5/8"	1"	2 1/2"	6 1/8"	6.50
SWETCSM1636-3	118RTM16-CS	16mm	1-1/8"	2 3/4"	1 1/8"	2 3/4"	6 11/16"	9.25

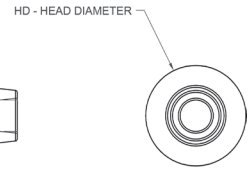


Swage Stemball Terminals - 316 Stainless



Part No.	Hayn No.	Wire Diameter In	MM	Cup Washer	HD-Head Dia	RAD Radius	Weight Lbs.
SWSB04-3	SB18	1/8"		SBC18	0.50"	0.25"	0.02
SWSBM03-3	SBM03		3mm	SBC18	12.6mm	6.3mm	0.02
SWSBM04-3	SBM04	5/32"	4mm	SBC532	17.5mm	8.8mm	0.05
SWSB06-3	SB316	3/16"		SBC316	0.68"	0.34"	0.07
SWSBM05-3	SBM05		5mm	SBC316	17.5mm	8.8mm	0.07
SWSB07-3	SB732	7/32"		SBC732	0.74"	0.40"	0.11
SWSB08-3	SB14	1/4"		SBC14	0.80"	0.42"	0.17
SWSBM06-3	SBM06		6mm	SBC14	20.6mm	10.8mm	0.17
SWSBM07-3	SBM07	9/32"	7mm	SBC932	21.5mm	10.8mm	0.28
SWSBM08-3	SBM08	5/16"	8mm	SBC516	27.5mm	13.8mm	0.36
SWSB12S-3	SB38X1.09	3/8"		SBC38	1.09"	0.54"	0.48
SWSBM10S-3	SBM10-27.5		10mm	SBC38	27.75mm	13.8mm	0.49
SWSB16-3	SB12	1/2"		N/A	1.39"	0.70"	0.78
SWSBM12-3	SBM12		12mm	N/A	35.5mm	17.8mm	0.76
SWSBM14-3	SBM14	9/16"	14mm	N/A	43.4mm	21.8mm	1.42

Swage Stemball Terminals for Compact Strand Wire - 316 Stainless



Part No.	Hayn No.	Wire Diameter	Cup Washer	HD-Head Dia	RAD Radius	Weight Lbs.
SWSBCSM07-3	SBM07-CS	7mm	SBC14	25mm	11mm	0.30
SWSBCSM08-3	SBM08-CS	8mm	SBC516	27.5mm	13.75mm	0.42
SWSBCSM10-3	SBM10-CS	10mm	N/A	31.5mm	15.8mm	0.60

Stemball Cup Washers - 316 Stainless

D-HOLE DIAMETER OD-OUTSIDE DIAMETER

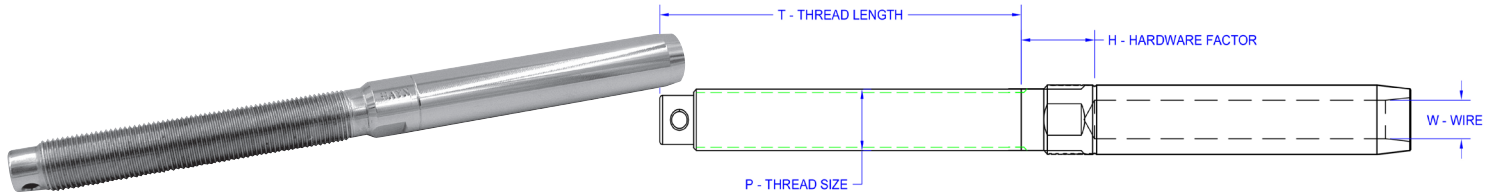


Part No.	Hayn No.	D-Hole	OD-Outside	Weight
SBC04/05-3	SBC18	0.35"	1.02"	0.02
SBC04/05-3	SBC532	0.35"	1.02"	0.02
SBC06-3	SBC316	0.43"	1.02"	0.02
SBC07-3	SBC732	0.52"	1.02"	0.02
SBC08/09-3	SBC14	0.64"	1.02"	0.02
SBC08/09-3	SBC932	0.64"	1.02"	0.02
SBC10/12-3	SBC516	0.79"	1.34"	0.03
SBC10/12-3	SBC38	0.79"	1.34"	0.03



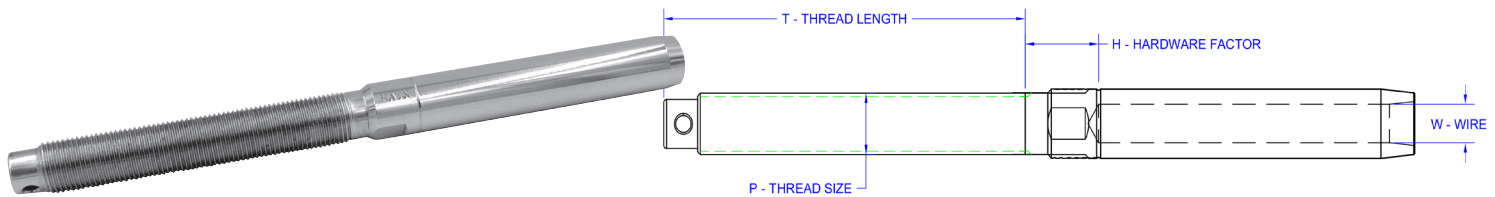


Swage Studs - 316 Stainless



Part No.	Hayn No.	Wire Diameter		P-Thread (UNF)	H-Hardware Factor	T-Thread Length	Weight Lbs.
		In	MM				
SWST0308R-3	14SE332RH	3/32"		1/4"	1/2"	2 1/4"	0.04
SWST0408112R-3	14ASE18RH	1/8"		1/4"	1/2"	3 1/2"	0.05
SWST0408R-3	14SE18RH	1/8"		1/4"	1/2"	2 1/4"	0.04
SWSTM0408R-3	14SEM04RH	5/32"	4mm	1/4"	9/16"	2 1/4"	0.05
SWSTM0410R-3	516SEM04RH	5/32"	4mm	5/16"	11/16"	2 3/8"	0.07
SWST0610R-3	516SE316RH	3/16"		5/16"	3/4"	2 3/8"	0.09
SWST0612R-3	38SE316RH	3/16"		3/8"	11/16"	2 7/8"	0.13
SWSTM0512R-3	38SEM05RH		5mm	3/8"	11/16"	2 7/8"	0.13
SWST0712R-3	38SE732RH	7/32"		3/8"	11/16"	2 7/8"	0.16
SWST0714R-3	716SE732RH	7/32"		7/16"	3/4"	2 3/4"	0.19
SWSTM0612R-3	38SEM06RH		6mm	3/8"	3/4"	2 7/8"	0.20
SWSTM0616R-3	12SEM06RH		6mm	1/2"	3/4"	3 1/4"	0.28
SWST0812R-3	38SE14RH	1/4"		3/8"	3/4"	2 7/8"	0.20
SWST0814R-3	716SE14RH	1/4"		7/16"	3/4"	2 3/4"	0.23
SWST0816R-3	12SE14RH	1/4"		1/2"	3/4"	3 1/4"	0.28
SWSTM0716R-3	12SEM07RH	9/32"	7mm	1/2"	3/4"	3 1/4"	0.33
SWSTM0816R-3	12SEM08RH	5/16"	8mm	1/2"	3/4"	3 1/4"	0.40
SWSTM0820R-3	58SEM08RH	5/16"	8mm	5/8"	3/4"	4"	0.55
SWST1220R-3	58SE38RH	3/8"		5/8"	3/4"	4"	0.64
SWSTM1020R-3	58SEM10RH		10mm	5/8"	3/4"	4"	0.62
SWST1424R-3	34SE716RH	7/16"		3/4"	1"	5"	1.07
SWSTM1224R-3	34SEM12RH		12mm	3/4"	1"	5"	1.19
SWST1624R-3	34SE12RH	1/2"		3/4"	1"	5"	1.16
SWST1628R-3	78SE12RH	1/2"		7/8"	1 3/16"	6"	1.56
SWSTM1428R-3	78SEM14RH	9/16"	14mm	7/8"	1 1/4"	6"	1.90
SWSTM1432R-3	15EM14RH	9/16"	14mm	1"	1 3/8"	6 1/4"	2.22
SWSTM1632R-3	15EM16RH	5/8"	16mm	1"	1 5/16"	6 1/4"	2.73
SWSTM1936R-3	118SE34RH	3/4"	19mm	1 1/8"	1 1/4"	7"	4.22

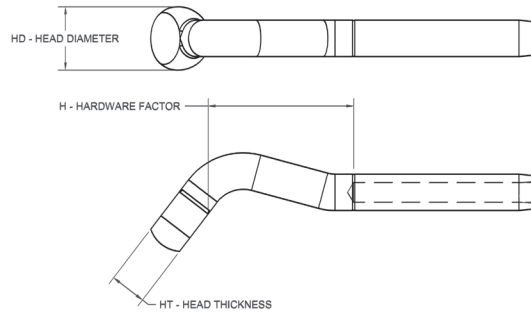
Swage Studs for Compact Strand Wire - 316 Stainless



Part No.	Hayn No.	Wire Diameter	P-Thread (UNF)	H-Hardware Factor	T-Thread Length	Weight Lbs.
SWSTCSM0616R-3	12SEM06RH-CS	6mm	1/2"	3/4"	3 1/4"	0.310
SWSTCSM0716R-3	12SEM07RH-CS	7mm	1/2"	3/4"	3 1/4"	0.370
SWSTCSM0816R-3	12SEM08RH-CS	8mm	1/2"	3/4"	3 1/4"	0.455
SWSTCSM0820R-3	58SEM08RH-CS	8mm	5/8"	3/4"	4"	0.605
SWSTCSM1020R-3	58SEM10RH-CS	10mm	5/8"	13/16"	4"	0.730
SWSTCSM1024R-3	34SEM10RH-CS	10mm	3/4"	1"	5"	0.993
SWSTCSM1224R-3	34SEM12RH-CS	12mm	3/4"	1"	5"	1.291
SWSTCSM1228R-3	78SEM12RH-CS	12mm	7/8"	1 1/8"	6"	1.691
SWSTCSM1428R-3	78SEM14RH-CS	14mm	7/8"	1 7/32"	6"	2.07
SWSTCSM1432R-3	15EM14RH-CS	14mm	1"	1 3/8"	6 3/8"	2.47
SWSTCSM1936R-3	118SEM19RH-CS	19mm	1-1/8"	1 7/32"	7"	4.7
SWSTCSM1940R-3	114SEM19RH-CS	19mm	1-1/4"	1 1/2"	7 7/8"	5.5



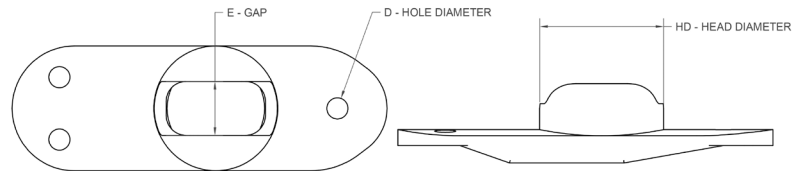
Swage Shroud Terminals - 316 Stainless



Part No.	Hayn No.	Wire Diameter		HD-Head Dia.	HT-Head Thickness	H-Hardware Factor	Weight Lbs.
		In	MM				
SWSHM03-3	SHM03		3mm	0.47"	0.25"	1 3/16"	0.04
SWSHM04-3	SHM04	5/32"	4mm	0.63"	0.31"	1 3/8"	0.07
SWSH06-3	SH316	3/16"		0.74"	0.37"	1 1/2"	0.11
SWSHM05-3	SHM05		5mm	0.74"	0.37"	1 1/2"	0.11
SWSH07-3	SH732	7/32"		0.74"	0.46"	1 3/4"	0.15
SWSHM06-3	SHM06		6mm	0.86"	0.49"	1 7/8"	0.27
SWSH08-3	SH14	1/4"		0.86"	0.49"	1 7/8"	0.27
SWSHM07-3	SHM07	9/32"	7mm	1.10"	0.56"	2 1/4"	0.42
SWSHM08-3	SHM08	5/16"	8mm	1.18"	0.63"	2 1/2"	0.61
SWSH12-3	SH38	3/8"		1.26"	0.70"	2 3/4"	0.82
SWSHM10-3	SHM10		10mm	1.26"	0.70"	2 3/4"	0.83
SWSHM12-3	SHM12		12mm	1.49"	0.94"	3 1/2"	1.43
SWSH16-3	SH12	1/2"		1.49"	0.94"	3 1/2"	1.46

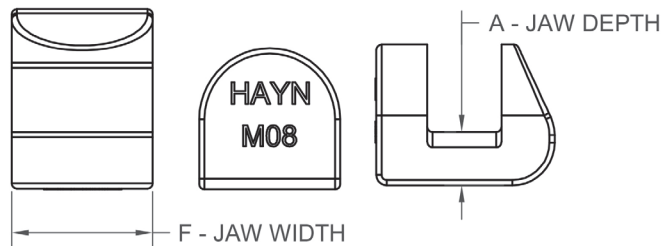
Pay special attention to the head thickness when ordering Shroud & T-Terminals. The head thickness varies by manufacture. Proper sizing is critical for fitting in backing plate. Measurements are provided by the manufacturer; visit <https://hayn.com/product/swage-shroud-terminals/> for manufacturer details.

Shroud Terminal Backing Plates - 316 Stainless



Part No.	Hayn No.	Terminal Wire Size		D-Hole	HD-Head	E-Gap	Weight Lbs.
		In	MM				
SHBP08-3	SHBPCM06	7/32"-1/4"	6mm	1/4"	1 1/4"	9/16"	0.12
SHBP09-3	SHBPCM07	9/32"	7mm	1/4"	1 5/8"	11/16"	0.27
SHBP10-3	SHBPCM08	5/16"	8mm	1/4"	1 5/8"	11/16"	0.39
SHBP12-3	SHBPCM10	3/8"	10mm	1/4"	1 3/4"	13/16"	0.66
SHBP14-3	SHBPCM12	7/16" - 1/2"	12mm	1/4"	2"	7/8"	1.02

Shroud Terminal Backing Plate Rubber Plugs

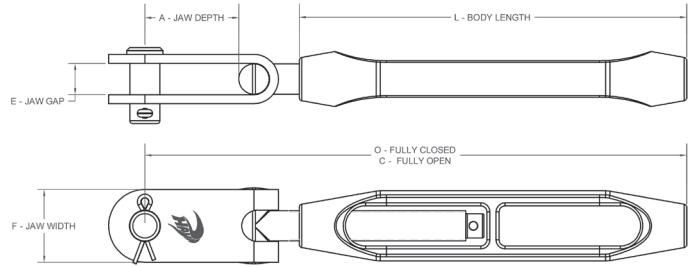


Part No.	Hayn No.	Terminal Wire Size		A-Jaw Depth	F-Jaw Width	Weight Lbs.
		In	MM			
SHBPP08-3	SHRPCM06	1/4"	6mm	1/4"	17/32"	0.12
SHBPP09/10-3	SHRPCM08	9/32"	7mm	3/8"	13/16"	0.02
SHBPP09/10-3	SHRPCM08	5/16"	8mm	3/8"	13/16"	0.02
SHBPP12-3	SHRPCM10	3/8"	10mm	25/64"	13/16"	0.02
SHBPP14-3	SHRPCM12	7/16" - 1/2"	12mm	17/32"	1"	0.03



Open Body Turnbuckles - Eye Toggle Jaw

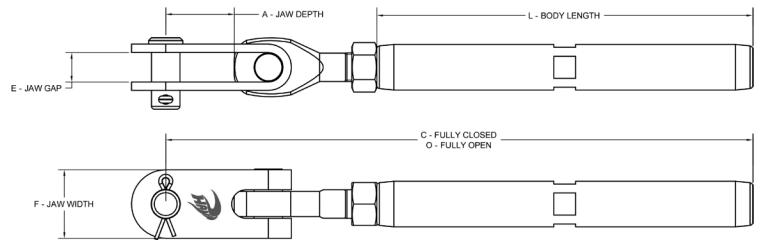
Chromed bronze bodies with left-hand pressed-eye toggles made from 316 grade stainless steel. Supplied clevis pin, and three cotter pins.



Part No.	Hayn No.	Wire	Thread	Pin Dia	Open L	Closed L	Body	Jaw Depth	Jaw Gap	Jaw Width	Weight Lbs.
TBLHET0808-3	14EFBJ	3/32"-5/32"	1/4-28	1/4"	7 9/16"	6 1/6"	4 1/2"	9/16"	1/4"	5/8"	0.21
TBLHET1010-3	516EFBJ	5/32"-3/16"	5/16-24	5/16"	8 7/16"	6 13/16"	5"	5/8"	5/16"	3/4"	0.35
TBLHET1212-3	38EFBJ	3/16"-1/4"	3/8-24	3/8"	9 1/2"	7 3/4"	5 1/2"	3/4"	3/8"	7/8"	0.53
TBLHET1414-3	716EFBJ	7/32"-9/32"	7/16-20	7/16"	1'-0 7/16"	8 11/16"	5 7/8"	1 1/4"	7/16"	1 1/16"	0.89
TBLHET1616-3	12EFBJ-X	1/4"-5/16"	1/2-20	1/2"	1' 1/16"	10 1/16"	6 1/2"	1 7/16"	1/2"	1 5/32"	1.48
TBLHET2020-3	58EFBJ-X	5/16"-3/8"	5/8-18	5/8"	1'-2 7/8"	1'-0 3/8"	8"	1 3/4"	5/8"	1 1/2"	2.75
TBLHET2424-3	34EFBJ-X	7/16"-1/2"	3/4-16	3/4"	1'-6 1/8"	1'-3 1/8"	10"	2 3/16"	3/4"	1 7/8"	5.10
TBLHET2828-3	78EFBJ	1/2"-9/16"	7/8-14	7/8"	1'-10 1/16"	1'-6 5/16"	1'-0 7/16"	2 7/8"	7/8"	2 3/8"	7.45
TBLHET3232-3	1EFBJ	9/16"-5/8"	1-12	1"	2'-0 9/16"	1'-8 1/16"	1'-2 3/16"	2 5/8"	1"	2 1/2"	10.40

Closed Body Turnbuckles - Eye Toggle Jaw

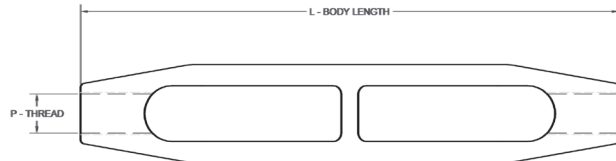
Closed body type 316 SS. Supplied with left-hand eye toggle, clevis pin, cotter pins and one lock nut. 1/4" to 1/2" bodies have hole instead of wrench flat. 5/8" bodies and up include bronze threaded inserts. When mating with a stud remember to order an additional lock nut. See page 30 for locknuts.



Part No.	Hayn No.	Wire	Thread	Pin Dia	Open L	Closed L	Body	Jaw Depth	Jaw Gap	Jaw Width	Weight Lbs.
TBCLHET0808-3	14ETTJT	3/32"-5/32"	1/4-28	1/4"	7 7/17"	5 15/16"	4 1/4"	9/16"	1/4"	21/32"	0.19
TBCLHET1010-3	516ETTJT	5/32"-3/16"	5/16-24	5/16"	8 5/8"	7"	5"	5/8"	5/16"	3/4"	0.34
TBCLHET1212-3	38ETTJT	3/16"-1/4"	3/8-24	3/8"	9 7/8"	8"	5 1/2"	3/4"	3/8"	57/64"	0.48
TBCLHET1616-3	12ETTJT-X	1/4"-5/16"	1/2-20	1/2"	1'-0 5/16"	10 5/16"	6 1/2"	1 7/16"	1/2"	1 5/32"	1.26
TBCLHET2020-3	58ETTJT-X	5/16"-3/8"	5/8-18	5/8"	1'-3 5/8"	1'-1 1/8"	8 1/4"	1 3/4"	5/8"	1 1/2"	2.77
TBCLHET2424-3	34ETTJT-X	7/16"-1/2"	3/4-16	3/4"	1'-6 3/8"	1' 3 3/8"	9 3/4"	2 3/16"	3/4"	1 7/8"	4.74
TBCLHET2828-3	78ETTJT	1/2"-9/16"	7/8-14	7/8"	1'-9 1/8"	1'-5 5/8"	11"	2 7/8"	7/8"	2 3/8"	6.80
TBCLHET3232-3	1ETTJT	9/16"-5/8"	1-12	1"	1'-11 3/4"	1'-8"	1'-1"	2 5/8"	1"	2 1/2"	9.52

Turnbuckle Body Only

Chromed bronze

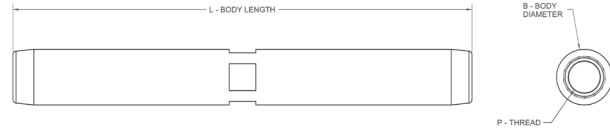


Part No.	Hayn No.	P-Thread	L-Body Length	Weight Lbs.
TB08-3	14FB	1/4-28	4 1/2"	0.10
TB10-3	516FB	5/16-24	5"	0.18
TB12-3	38FB	3/8-24	5 1/2"	0.25
TB14-3	716FB	7/16-20	5 7/8"	0.35
TB16-3	12FB	1/2-20	6 1/2"	0.61
TB20-3	58FB	5/8-18	8"	0.87
TB24-3	34FB	3/4-16	10"	1.93
TB28-3	78FB	7/8-14	1'-0 7/16"	3.44
TB32-3	1FB	1-12	1'-2 3/16"	5.03
TB36-3	118FB	1 1/8-12	1'-4"	7.44
TB40-3	114FB	1 1/4-12	1'-5 7/8"	10.26
TB44-3	138FB	1 3/8-12	1'-7 1/2"	12.69



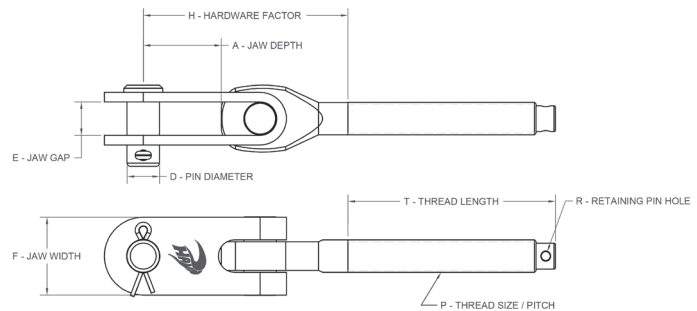
Closed Body Only - 316 Stainless

5/8" and up have bronze inserts.



Part No.	Hayn No.	P-Thread	L-Body Length	B-Body	Weight Lbs.
TBC08S-3	14TB2	1/4-28	2 3/4"	7/16"	0.04
TBC08-3	14TB	1/4-28	4 1/4"	7/16"	0.07
TBC10-3	516TB	5/16-24	5"	35/64"	0.14
TBC12-3	38TB	3/8-24	5 1/2"	5/8"	0.18
TBC16-3	12TB	1/2-20	6 1/2"	3/4"	0.35
TBC20-3	58TB	5/8-18	8 1/4"	1"	1.03
TBC24-3	34TB	3/4-16	9 3/4"	1 1/8"	1.36
TBC28-3	78TB	7/8-14	11"	1 3/8"	2.62
TBC32-3	1TB	1-12	1'-1"	1 1/2"	3.50

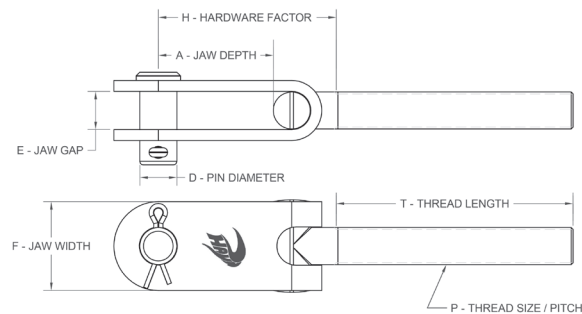
Threaded Eye Toggle Jaws - 316 Stainless



Part No.	Hayn No.	P-Thread	D-Pin	Thread Length	Jaw Depth	Jaw Gap	Jaw Width	Hardware Factor	Retaining Pin	Weight Lbs.
TET0808*-3	14ETJ	1/4-28	1/4"	2 1/4"	9/16"	1/4"	21/32"	1 1/2"	1/16"	0.10
TET1010*-3	516ETJ	5/16-24	5/16"	2 3/8"	5/8"	5/16"	3/4"	1 13/16"	3/32"	0.17
TET1212*-3	38ETJ	3/8-24	3/8"	2 3/4"	3/4"	3/8"	57/64"	2 1/8"	3/32"	0.28
TET1414*-3	716ETJ	7/16-20	7/16"	2 1/2"	3/4"	7/16"	1 1/16"	2 1/4"	1/8"	0.39
TET1616*-3	12ETJ*-X	1/2-20	1/2"	3 1/4"	1 7/16"	1/2"	1 5/32"	3 5/16"	1/8"	0.87
TET2020*-3	58ETJ*-X	5/8-18	5/8"	4"	1 3/4"	5/8"	1 1/2"	4 3/16"	5/32"	1.69
TET2424*-3	34ETJ*-X	3/4-16	3/4"	4 7/8"	2 3/16"	3/4"	1 7/8"	5"	3/16"	3.19

* Specify "R" for right-hand thread and "L" for left-hand thread.

Threaded T-Bolts, Forged w/Toggle - 316 Stainless

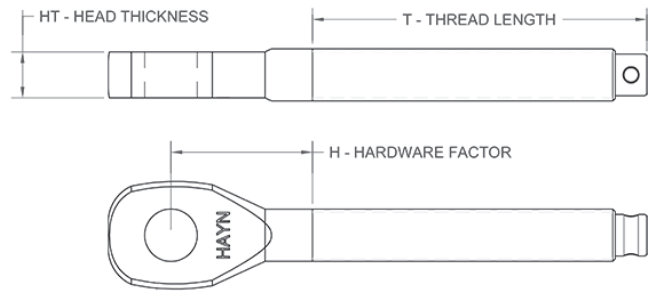


Part No.	Hayn No.	P-Thread	D-Pin	Thread Length	Jaw Depth	Jaw Gap	Jaw Width	Hardware Factor	Retaining Pin	Weight Lbs.
TTT0808*-3	14TJ	1/4-28	1/4"	2 1/4"	3/4"	1/4"	21/32"	1 1/2"	1/16"	0.09
TTT1010*-3	516TJ	5/16-24	5/16"	2 1/2"	13/16"	5/16"	3/4"	1 1/2"	3/32"	0.14
TTT1212*-3	38TJ	3/8-24	3/8"	2 3/4"	1"	3/8"	57/64"	1 3/4"	3/32"	0.24
TTT1616*-3	12TJ	1/2-20	1/2"	3 1/4"	1 7/16"	1/2"	1 5/32"	2 5/16"	1/8"	0.54
TTT2020*-3	58TJ	5/8-18	5/8"	4"	1 15/16"	5/8"	1 1/2"	3"	5/32"	1.04
TTT2424*-3	34TJ	3/4-16	3/4"	5"	2 5/16"	3/4"	1 7/8"	4 3/16"	3/16"	2.01

* Specify "R" for right-hand thread and "L" for left-hand thread.



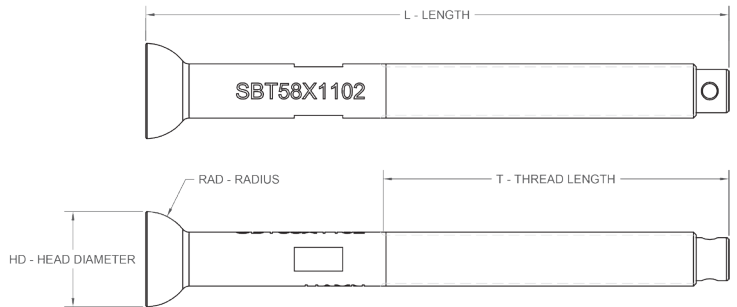
Threaded Eyes - 316 Stainless



Part No.	Hayn No.	Thread	Pin Dia	Thread Length	Head Thickness	Hardware Factor	Weight Lbs.
TTE08L-3	14ERLH	1/4-28	1/4"	2 1/4"	7/32"	9/16"	0.04
TTE10L-3	516ERLH	5/16-24	5/16"	2 3/8"	1/4"	13/16"	0.07
TTE12L-3	38ERLH	3/8-24	3/8"	2 3/4"	5/16"	7/8"	0.13
TTE14L-3	716ERLH	7/16-20	7/16"	2 3/4"	3/8"	1 1/16"	0.19
TTE16L-3	12ERLH	1/2-20	1/2"	3 1/4"	7/16"	1 3/8"	0.29
TTE20L-3	58ERLH	5/8-18	5/8"	4"	15/32"	1 11/16"	0.58
TTE24L-3	34ERLH	3/4-16	3/4"	4 7/8"	23/32"	2"	1.01
TTE28L-3	78ERLH	7/8-14	7/8"	5 1/2"	27/32"	1 15/16"	1.6
TTE32L-3	1ERLH	1-12	1"	6 1/4"	15/16"	2 5/16"	2.30

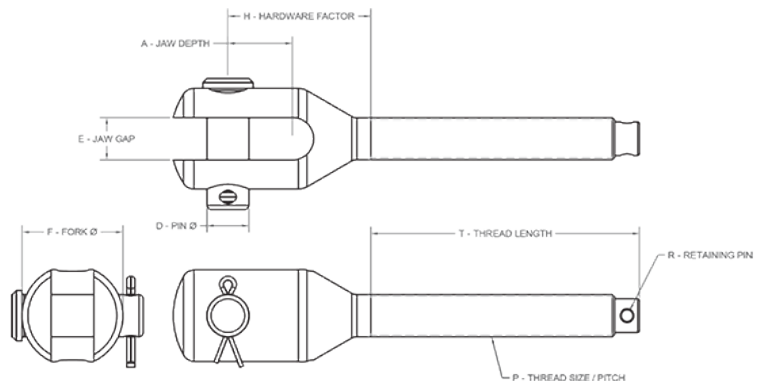
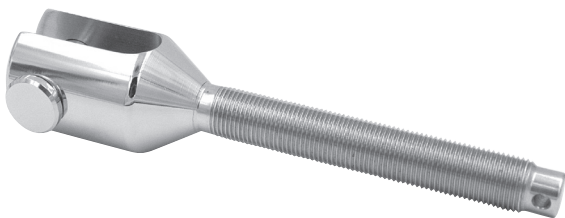
* Contact us to order right-hand or closed body models.

Threaded Stemballs - 316 Stainless



Part No.	Hayn No.	Thread	Head Diameter	Thread Length	Length	Weight Lbs.
TSB12LHX0.693-3	SBT38LHX0.693	3/8-24	0.693"	2 7/8"	4 1/8"	0.12
TSB16LHX1.0-3	SBT12LHX1.000	1/2-20	1"	3 1/4"	5 1/2"	0.33
TSB20LHX1.102-3	SBT58LHX1.102	5/8-18	1.102"	4"	6 3/4"	0.59
TSB24LHX1.102-3	SBT34LHX1.102	3/4-16	1.102"	5"	8 1/8"	0.97

Threaded Forks - 316 Stainless (Special Order)



Part No.	Hayn No.	Thread	Pin Dia	Thread Length	Jaw Depth	Jaw Gap	Fork Dia	Hardware Factor	Weight Lbs.
FJ08*-3	TF14	1/4-28	1/4"	2 1/4"	3/8"	1/4"	9/16"	7/8"	0.06
FJ10*-3	TF516	5/16-24	5/16"	2 1/2"	7/16"	5/16"	23/32"	1 1/4"	0.12
FJ12*-3	TF38	3/8-24	3/8"	2 7/8"	9/16"	3/8"	7/8"	1 7/16"	0.21
FJ16*-3	TF12	1/2-20	1/2"	3 1/4"	11/16"	1/2"	1 1/8"	1 13/16"	0.46
FJ20*-3	TF58	5/8-18	5/8"	4"	15/16"	5/8"	1 1/2"	2 1/8"	1.02
FJ24*-3	TF34	3/4-16	3/4"	5"	1"	3/4"	1 7/8"	2 7/16"	1.92
FJ28*-3	TF78	7/8-14	7/8"	6"	1 5/16"	7/8"	2 1/8"	2 3/4"	2.79
FJ32*-3	TF1	1-12	1"	6 7/8"	1 15/32"	1"	2 1/2"	3 5/16"	3.85

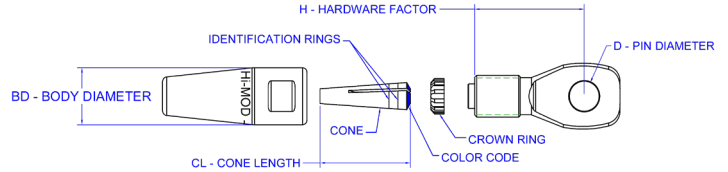
*Specify "R" for right-hand thread and "L" for left-hand thread.



Hi-Mod mechanical terminals utilize a unique crown ring that arranges the wire strands for even spacing around the fitting. This design eliminates the need to bend the wires around the cone, which ensures the cone is in the proper location and keeps the strands from dropping into the cone slots. Both the cone and crown ring are fully reusable. 316 SS

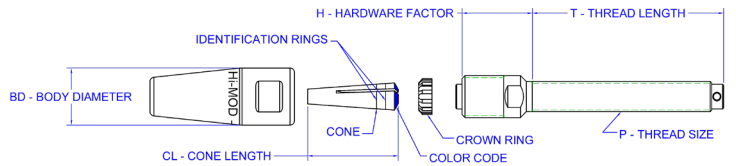


Hi-Mod Eyes - 316 Stainless



Part No.	Hi-Mod No.	Wire Dia.	Pin Dia.	H-Hardware Factor	HT-Head Thickness	Weight Lbs
HMEY0408.....	14CTE18.....	1/8".....	1/4".....	7/8".....	3/16".....	0.04
HMEY0510.....	516CTE532.....	5/32".....	5/16".....	1 1/16".....	1/4".....	0.08
HMEY0612.....	38CTE316.....	3/16".....	3/8".....	1 5/16".....	5/16".....	0.14
HMEY0712.....	38CTE732.....	7/32".....	3/8".....	1 1/2".....	3/8".....	0.14
HMEY0714.....	716CTE732.....	7/32".....	7/16".....	1 1/2".....	3/8".....	0.19
HMEY0812.....	38CTE14.....	1/4".....	3/8".....	1 3/8".....	3/8".....	0.21
HMEY0814.....	716CTE14.....	1/4".....	7/16".....	1 9/16".....	3/8".....	0.20
HMEY0816.....	12CTE14.....	1/4".....	1/2".....	1 5/8".....	7/16".....	0.28
HMEY0916.....	12CTE932.....	9/32".....	1/2".....	1 3/4".....	7/16".....	0.37
HMEY1016.....	12CTE516.....	5/16".....	1/2".....	1 15/16".....	1/2".....	0.52
HMEY1018.....	916CTE516.....	5/16".....	9/16".....	2".....	1/2".....	0.60
HMEY1020.....	58CTE516.....	5/16".....	5/8".....	2 1/4".....	9/16".....	0.69
HMEY1220.....	58CTE38.....	3/8".....	5/8".....	2 5/16".....	9/16".....	0.96
HMEY1424.....	34CTE716.....	7/16".....	3/4".....	2 5/8".....	11/16".....	1.23
HMEY1624.....	34CTE12.....	1/2".....	3/4".....	3 1/8".....	11/16".....	1.96
HMEY1828.....	78CTE916.....	9/16".....	7/8".....	3 3/8".....	7/8".....	2.87
HMEY2032.....	1CTE58.....	5/8".....	1".....	3 7/8".....	15/16".....	4.02
HMEY2436.....	118CTE34.....	3/4".....	1-1/8".....	3 5/8".....	1-1/16".....	4.66
HMEY2840.....	114CTE78.....	7/8".....	1-1/4".....	4 1/4".....	1-1/4".....	6.77
HMEY3244.....	138CTE1.....	1".....	1-3/8".....	5 11/16".....	1-5/16".....	12.45

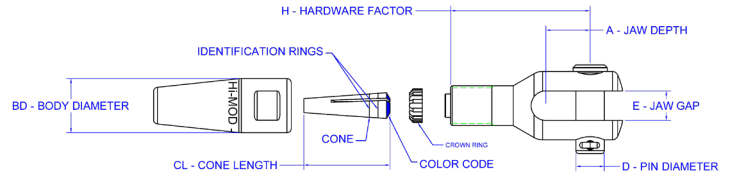
Hi-Mod Studs - 316 Stainless



Part No.	Hi-Mod No.	Wire Dia.	Thread Dia.	H-Hardware Factor	T-Thread Length	Weight Lbs
HMST0408.....	14CTS18.....	1/8".....	1/4".....	5/8".....	2".....	0.05
HMST0508.....	14CTS532.....	5/32".....	1/4".....	11/16".....	2".....	0.07
HMST0510.....	516CTS532.....	5/32".....	5/16".....	7/8".....	2 1/4".....	0.09
HMST0610.....	516CTS316.....	3/16".....	5/16".....	1".....	2 1/4".....	0.14
HMST0612.....	38CTS316.....	3/16".....	3/8".....	7/8".....	2 5/8".....	0.17
HMST0712.....	38CTS732.....	7/32".....	3/8".....	7/8".....	2 5/8".....	0.17
HMST0714.....	716CTS732.....	7/32".....	7/16".....	1".....	2 7/8".....	0.20
HMST0812.....	38CTS14.....	1/4".....	3/8".....	1 1/8".....	2 5/8".....	0.24
HMST0814.....	716CTS14.....	1/4".....	7/16".....	1 1/8".....	2 7/8".....	0.28
HMST0816.....	12CTS14.....	1/4".....	1/2".....	1 1/16".....	3 1/2".....	0.35
HMST0916.....	12CTS932.....	9/32".....	1/2".....	1 1/8".....	3 1/2".....	0.43
HMST1016.....	12CTS516.....	5/16".....	1/2".....	1 1/2".....	3 1/2".....	0.62
HMST1020.....	58CTS516.....	5/16".....	5/8".....	1 1/2".....	3 3/4".....	0.75
HMST1220.....	58CTS38.....	3/8".....	5/8".....	1 3/8".....	3 3/4".....	1.02
HMST1224.....	34CTS38.....	3/8".....	3/4".....	1 1/2".....	4 5/8".....	1.24
HMST1424.....	34CTS716.....	7/16".....	3/4".....	1 1/2".....	4 5/8".....	1.22
HMST1624.....	34CTS12.....	1/2".....	3/4".....	2".....	4 5/8".....	1.95
HMST1628.....	78CTS12.....	1/2".....	7/8".....	2".....	5 1/2".....	2.85
HMST1828.....	78CTS916.....	9/16".....	7/8".....	2 1/8".....	5 1/2".....	2.87
HMST2032.....	1CTS58.....	5/8".....	1".....	2 3/4".....	6 1/4".....	4.35
HMST2436.....	118CTS34.....	3/4".....	1-1/8".....	2 1/2".....	6 3/4".....	5.27
HMST2840.....	114CTS78.....	7/8".....	1-1/4".....	2 7/8".....	7 3/4".....	7.36
HMST3244.....	138CTS1.....	1".....	1-3/8".....	3 5/8".....	8 1/2".....	14.50

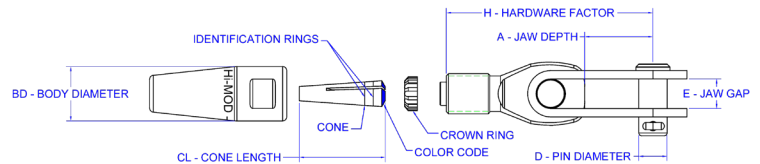


Hi-Mod Forks - 316 Stainless



Part No.	Hi-Mod No.	Wire Dia.	Pin Dia.	A-Jaw Depth	E-Jaw Gap	H-Hardware Factor	Weight lbs
HMFK0408.....	14CTF18.....	1/8".....	1/4".....	1/2".....	1/4".....	1 1/4".....	0.06
HMFK0510.....	516CTF532.....	5/32".....	5/16".....	21/32".....	5/16".....	1 1/2".....	0.13
HMFK0612.....	38CTF316.....	3/16".....	3/8".....	3/4".....	3/8".....	1 11/16".....	0.23
HMFK0712.....	38CTF732.....	7/32".....	3/8".....	3/4".....	3/8".....	1 11/16".....	0.23
HMFK0814.....	716CTF14.....	1/4".....	7/16".....	7/8".....	7/16".....	1 15/16".....	0.37
HMFK0816.....	12CTF14.....	1/4".....	1/2".....	1".....	1/2".....	2 1/8".....	0.46
HMFK0916.....	12CTF932.....	9/32".....	1/2".....	1".....	1/2".....	2 1/8".....	0.56
HMFK1016.....	12CTF516.....	5/16".....	1/2".....	1".....	1/2".....	2 1/8".....	0.72
HMFK1018.....	916CTF516.....	5/16".....	9/16".....	1 1/8".....	9/16".....	2 3/4".....	0.99
HMFK1020.....	58CTF516.....	5/16".....	5/8".....	1 1/4".....	5/8".....	2 3/4".....	1.09
HMFK1220.....	58CTF38.....	3/8".....	5/8".....	1 1/4".....	5/8".....	3".....	1.40
HMFK1424.....	34CTF716.....	7/16".....	3/4".....	1 1/2".....	3/4".....	3 3/8".....	1.97
HMFK1624.....	34CTF12.....	1/2".....	3/4".....	1 1/2".....	3/4".....	3 5/8".....	2.70
HMFK1828.....	78CTF916.....	9/16".....	7/8".....	1 3/4".....	7/8".....	4 1/8".....	3.23
HMFK2032.....	1CTF58.....	5/8".....	1".....	1 15/16".....	1".....	4 7/8".....	4.61
HMFK2436.....	118CTF34.....	3/4".....	1 1/8".....	2 9/32".....	1 1/8".....	5 1/4".....	6.28
HMFK2840.....	114CTF78.....	7/8".....	1 1/4".....	2 1/2".....	1 1/4".....	5 3/4".....	8.75
HMFK3244.....	138CTF1.....	1".....	1 3/8".....	2 3/4".....	1 3/8".....	6 1/2".....	14.25

Hi-Mod Toggle Forks - 316 Stainless



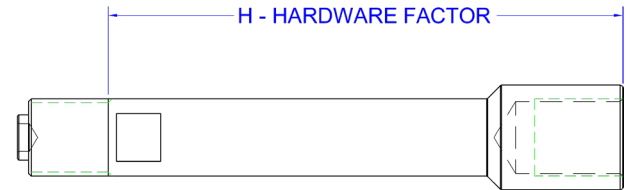
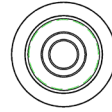
Part No.	Hi-Mod No.	Wire Dia.	Pin Dia.	A-Jaw Depth	E-Jaw Gap	H-Hardware Factor	Weight lbs
HMTF0408.....	14CTT18.....	1/8".....	1/4".....	9/16".....	1/4".....	1 3/4".....	0.10
HMTF0510.....	516CTT532.....	5/32".....	5/16".....	5/8".....	5/16".....	2 1/32".....	0.17
HMTF0612.....	38CTT316.....	3/16".....	3/8".....	3/4".....	3/8".....	2 9/16".....	0.30
HMTF0712.....	38CTT732.....	7/32".....	3/8".....	3/4".....	3/8".....	2 9/16".....	0.30
HMTF0812.....	38CTT14.....	1/4".....	3/8".....	3/4".....	3/8".....	2 5/8".....	0.36
HMTF0816.....	12CTT14.....	1/4".....	1/2".....	1 1/8".....	1/2".....	3 5/16".....	0.63
HMTF0916.....	12CTT932.....	9/32".....	1/2".....	1 1/8".....	1/2".....	3 7/16".....	0.72
HMTF1016.....	12CTT516.....	5/16".....	1/2".....	1 1/8".....	1/2".....	3 5/8".....	0.88
HMTF1018.....	916CTT516.....	5/16".....	9/16".....	1 1/4".....	9/16".....	4".....	2.35
HMTF1020.....	58CTT516.....	5/16".....	5/8".....	1 1/4".....	5/8".....	4 1/2".....	1.41
HMTF1220.....	58CTT38.....	3/8".....	5/8".....	1 1/4".....	5/8".....	4 9/16".....	1.68
HMTF1424.....	34CTT716.....	7/16".....	3/4".....	1 7/8".....	3/4".....	5 13/16".....	2.54
HMTF1624.....	34CTT12.....	1/2".....	3/4".....	1 7/8".....	3/4".....	5 13/16".....	3.01
HMTF1828.....	78CTT916.....	9/16".....	7/8".....	2 7/8".....	7/8".....	7 3/8".....	5.54
HMTF2032.....	1CTT58.....	5/8".....	1".....	2 5/8".....	1".....	7 1/2".....	7.35

Hi-Mods for metric wire sizes also available. Contact us for details.



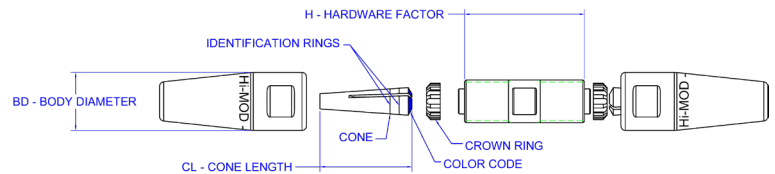


Hi-Mod Extenders - 316 Stainless



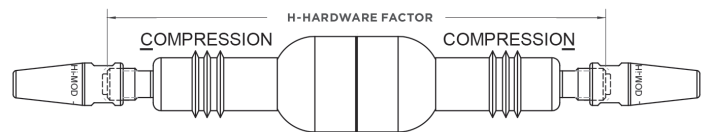
Part No.	Hi-Mod No.	Wire Dia.	H-Hardware Factor	Weight Lbs
HMEX04	CTX18	1/8"	1-3/4"	0.04
HMEX05	CTX532	5/32"	2-1/4"	0.08
HMEX06	CTX316	3/16"	2-7/8"	0.15
HMEX07	CTX732	7/32"	2-7/8"	0.15
HMEX08	CTX14	1/4"	3-1/4"	0.28
HMEX09	CTX932	9/32"	3-7/8"	0.42
HMEX10	CTX516	5/16"	4-1/2"	0.68
HMEX12	CTX38	3/8"	5-5/8"	1.15
HMEX14	CTX716	7/16"	5-5/8"	1.15
HMEX16	CTX12	1/2"	6-3/4"	2.25
HMEX18	CTX916	9/16"	8"	3.34
HMEX20	CTX58	5/8"	9"	4.66

Hi-Mod Splice Links - 316 Stainless



Part No.	Hi-Mod No.	Wire Dia.	H-Hardware Factor	Weight Lbs
HMSL04	CTL18	1/8"	1"	0.06
HMSL05	CTL532	5/32"	1"	0.10
HMSL06	CTL316	3/16"	1 5/16"	0.19
HMSL07	CTL732	7/32"	1 5/16"	0.19
HMSL08	CTL14	1/4"	1 3/8"	0.32
HMSL09	CTL932	9/32"	1 5/8"	0.50
HMSL10	CTL516	5/16"	2 1/8"	0.86
HMSL12	CTL38	3/8"	2 1/2"	1.39
HMSL14	CTL716	7/16"	2 1/2"	1.35
HMSL16	CTL12	1/2"	2 7/8"	2.65
HMSL18	CTL916	9/16"	3 1/4"	4.08
HMSL20	CTL58	5/8"	3 3/4"	5.70

Hi-Mod Insulators



The Failsafe Insulator has features similar to other Hi-Mod fittings and uses an internal ball socket in the main body which threads onto the connecting stud. The nut is insulated by a socket, isolating the antenna from the opposite terminal. If the insulator fails, the nut will bottom out against the stainless housing. While the backstay will loosen, the insulating studs will stay attached to the insulator body allowing the rig to be re-tensioned until a repair can be made.

*Available by Special Order with toggle terminals, eye ends, fork ends, or swage terminals to suit any application.

Part No.	Hi-Mod No.	Wire Dia.	H-Hardware Factor
HMINS06	CTICC316	3/16"	8"
HMINS07	CTICC732	7/32"	8"
HMINS08	CTICC14	1/4"	8 1/2"
HMINS09	CTICC932	9/32"	9 7/8"
HMINS10	CTICC516	5/16"	10 1/2"
HMINS12	CTICC38	3/8"	12 1/4"
HMINS16	CTICC12	1/2"	15 1/8"
HMINS18	CTICC916	9/16"	17 1/2"
HMINS20	CTICC58	5/8"	20 1/4"

Hi-Mods for metric wire sizes also available. Contact us for details.

To order, call 305-758-1074, or go to www.sailingservices.com



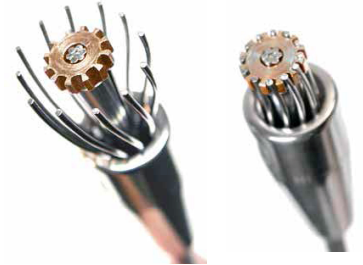
Hi-Mod Cones - 316 Stainless

Wire Diameter	1x19	KOS CS	Dyform	7-Strand
1/8" 3mm	HMC04	HMC04	HMC04	HMCS04
5/32" 4mm	HMC05	HMC05	HMC05	HMCSM04
3/16" 5mm	HMC06	HMC06	HMC06	HMCSM05
7/32" 6mm	HMC07	N/A	N/A	HMCS07
	HMCM06	HMCM06	HMCM06	HMCSM06
1/4" 7mm	HMC08	N/A	N/A	HMCS08
9/32" 7mm	HMC09	HMC09	HMC09	HMCSM07
5/16" 8mm	HMC10	HMC10	HMC10	HMCSM08
3/8" 10mm	HMC12	N/A	N/A	HMCS12
	HMCM10	HMCM10	HMCM10	HMCSM10
7/16" 12mm	HMC14	N/A	N/A	HMCS14
	HMCM12	HMCM12-CS	HMCM12	HMCSM12
1/2" 14mm	HMC16	N/A	N/A	HMCS16
9/16" 14mm	HMC18	HMCCM14*	HMCMDM14**	HMCSM14
5/8" 16mm	HMC20	HMCCM16*	HMCMDM16**	N/A
3/4" 19mm	HMC24	HMCCM19*	HMCMDM19***	N/A
7/8" 22mm	HMCM22	N/A	N/A	N/A
1" 26mm	HMCM26	N/A	N/A	N/A
*1x36 Wire Construction	**1X25 Wire Construction	***1x31 Wire Construction		



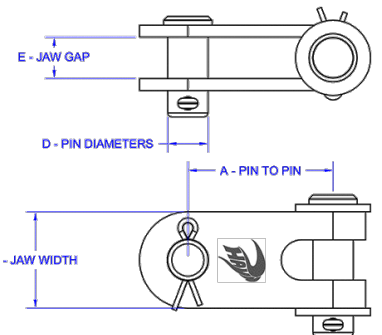
Hi-Mod Crown Rings

Wire Diameter	1x19	KOS CS	Dyform	7-Strand
1/8" 3mm	HMCRO4	HMCRO4	HMCRO4	HMCRO4
5/32" 4mm	HMCRO5	HMCRO5	HMCRO5	HMCRO5
3/16" 5mm	HMCRO6	HMCRCM05	HMCRCM05	HMCRO6
7/32" 6mm	HMCRO7			HMCRO7
	HMCRO8/6M	HMCRCM06	HMCRCM06	HMCRCM06
1/4" 7mm	HMCRO9	HMCRCM07	HMCRCM07	HMCRCM07
9/32" 8mm	HMCRO10	HMCRCM08	HMCRCM08	HMCRCM08
5/16" 8mm	HMCRO10	HMCRCM08	HMCRCM08	HMCRCM08
3/8" 10mm	HMCRO12/14			HMCRCM10
	HMCRO12/14	HMCRCM10	HMCRCM10	HMCRCM10
7/16" 12mm	HMCRO12/14			HMCRCM10
	HMCRO16/12M	HMCRCM12	HMCRCM12	HMCRCM12
1/2" 14mm	HMCRO18	HMCRCM14*	HMCRCM14	HMCRCM14
9/16" 16mm	HMCRO20	HMCRCM16*	HMCRCM16	HMCRCM16
5/8" 16mm	HMCRO20	HMCRCM16*	HMCRCM16	HMCRCM16
3/4" 19mm	HMCRO19	HMCRCM19*	HMCRCM19**	HMCRCM19**
*1x36 Construction				
**1x31 Dyform				



Double Jaw Toggles - 316 Stainless

Part No.	Pin Dia.	Pin-to-Pin	Jaw Gap	Jaw Width	Weight
DJT08-3	1/4"	7/8"	1/4"	21/32"	0.07
DJT10-3	5/16"	31/32"	5/16"	3/4"	0.11
DJT12-3	3/8"	1 1/4"	3/8"	29/32"	0.17
DJT14-3	7/16"	1 3/4"	7/16"	1 1/16"	0.24
DJT16-3	1/2"	2"	1/2"	1 5/32"	0.47
DJT20-3	5/8"	2 1/2"	5/8"	1 1/2"	0.83
DJT24-3	3/4"	3"	3/4"	1 7/8"	1.49
DJT28-3	7/8"	4"	7/8"	2 3/8"	2.77
DJT32-3	1"	3 7/8"	1"	2 1/2"	3.47
DJT36-3	1 1/8"	4"	1 1/8"	2 3/4"	5.45



Lock Nuts

Part Number	Thread*
NUT06*-3	10-32
NUT08*-3	1/4-28
NUT10*-3	5/16-24
NUT12*-3	3/8-24
NUT16*-3	1/2-20
NUT20*-3	5/8-18
NUT24*-3	3/4-16



18-8 Stainless Steel

* Specify "R" for right-hand thread and "L" for left-hand thread.

Hi-Mods for metric wire sizes also available. Contact us for details.



Aircraft Eyes - 316 Stainless

Aircraft Eyes have a thinner head and smaller pin diameter than marine eyes for a given wire diameter.

*Clevis pin not included.



Part No.	Wire Dia. (Inch.)	Wire Dia. (MM)	Pin Dia.
SWAE0306-1	3/32"		3/16"
SWAE0406-1	1/8"		3/16"
SWAE0508-1	5/32"	4mm	1/4"
SWAE0610-1	3/16"		5/16"
SWAE0710-1	7/32"		5/16"
SWAE0812-1	1/4"		3/8"
SWAE0914-1	9/32"	7mm	7/16"
SWAE1014-1	5/16"	8mm	7/16"
SWAE1216-1	3/8"		1/2"

*See page 33 for clevis pins

Aircraft Forks - 316 Stainless

Similar to MS200667, but not for aircraft use. Commonly used on smaller rigs with single tangs. Used with split backstay systems and sometimes at the backstay chainplates.

*Clevis pin not included.



Part No.	Wire Dia. (Inch.)	Wire Dia. (MM)	Pin Dia.
SWAF0306-1	3/32"		3/16"
SWAF0406-1	1/8"		3/16"
SWAF0508-1	5/32"	4mm	1/4"
SWAF0610-1	3/16"		5/16"
SWAF0710-1	7/32"		5/16"
SWAF0812-1	1/4"		3/8"
SWAF0914-1	9/32"	7mm	7/16"
SWAF1014-1	5/16"	8mm	7/16"
SWAF1216-1	3/8"		1/2"

*See page 33 for clevis pins.

Sailmakers Eyes

Sailmakers Eyes are special terminals used on the ends of luff wires for some furling systems. The extra hole in the fitting is used by sailmakers to seize the head and tack of the sail to the luff wire.



Part No.	Wire Dia. (Inch.)	Wire Dia. (MM)	Pin Dia.
SWSE0408-1	1/8"		1/4"
SWSE0510-1	5/32"	4mm	5/16"
SWSE0612-1	3/16"		3/8"
SWSE0714-1	7/32"		7/16"
SWSE0816-1	1/4"		1/2"
SWSE0916-1	9/32"	7mm	1/2"
SWSE1016-1	5/16"	8mm	1/2"
SWSE1020-1	5/16"	8mm	5/8"
SWSE1220-1	3/8"		5/8"

J-Hooks - 316 Stainless

Used for dinghy shrouds and trapeze wire connections.



Part No.	Wire Dia. (Inch.)	Wire Dia. (MM)
SWJ03-1	3/32"	
SWJ04-1	1/8"	
SWJ05-1	5/32"	4mm

T-Terminals

Also known as "T-Balls", these fittings are used on the upper ends of shrouds and inner-forestays.



Part No.	Wire Dia. (Inch.)	Wire Dia. (MM)	Head Thickness MM	Head Width MM
SWTB03-1	3/32"		6.35	13.34
SWTB04-1	1/8"		6.35	14.10
SWTB05-1	5/32"	4mm	8.89	18.80
SWTB06-1	3/16"		11.10	21.51
SWTB06S-1*	3/16"		9.09	18.80
SWTB07-1	7/32"		14.48	30.48
SWTB08-1	1/4"		14.48	30.48
SWTB09-1	9/32"	7mm	14.48	30.48
SWTB10-1	5/16"	8mm	17.91	32.13
SWTB12-1	3/8"		17.91	32.13

*SWTB06S-1 is designed for an old style backing plate which has four fastener holes and a thinner slot.

Pay special attention to the head thickness when ordering Shroud & T-Terminals. The head thickness varies by manufacture. Proper sizing is critical for fitting in backing plate.

Stemball Terminals

Part No.	Wire Dia. (Inch.)	Wire Dia. (MM)
SWSB04-1	1/8"	
SWSB05-1	5/32"	4mm
SWSB06-1	3/16"	
SWSB07-1	7/32"	
SWSB08-1	1/4"	
SWSB09-1	9/32"	7mm
SWSB10-1	5/16"	8mm
SWSB12-1	3/8"	



Welded Loop Furling Eyes - 316 Stainless

Unique and difficult to find swage terminal, typically used on forestays of multihulls with rotating masts.



Part No.	Wire Dia. (Inch.)	Wire Dia. (MM)
SWSEW04-1	1/8"	3mm
SWSEW05-1	5/32"	4mm
SWSEW06-1	3/16"	
SWSEW07-1	7/32"	
SWSEW08-1	1/4"	
SWSEW09-1	9/32"	7mm

Stemball Eyes w/ Cup

For use with mastheads made by Isomat, Franspar or Sparcraft. Includes cup washer.



Part No.	Pin Dia.	Head Dia.
SBE0612-OS	3/8"	26.0 mm
SBE0614-OS	7/16"	26.0 mm
SBE0816-OS	1/2"	26.0 mm
SBE1016-1	1/2"	28.59 mm
SBE1020-1	5/8"	28.59 mm
SBE1220-OS	5/8"	34.0 mm
SBE1424-OS	3/4"	34.0 mm

Scan to Shop Online

Log-In For Wholesale Pricing





T-Terminal Backing Plates



Table with 5 columns: Part No., Wire Dia. Inches, Wire Dia. MM, Width MM, Height MM. Lists various T-Terminal Backing Plate models and their dimensions.

*Fits the old style Gibb terminal. It has four fastener holes and a thin slot.

Retaining Plugs for T-Bar Backing Plates



Table with 3 columns: Part No., Wire Dia. Inches, Wire Dia. MM. Lists Retaining Plug models and their dimensions.

Threaded T-Terminals



Table with 4 columns: Part Number, Thread*, Head Height (MM), Head Width (MM). Lists Threaded T-Terminal models and their dimensions.

*All threaded T-Bars are Left-Hand UNF

Terminal Rings



Fits into Gibb-style T-Ball Backing Plates. Designed for an eye splice of high tech rope to take the place of a wire rope swage T-Terminal.

Table with 3 columns: Part No., Head Height, Head Width. Lists Terminal Ring models and their dimensions.

Eye Jaw Toggles - Chrome Bronze



Highly polished chrome over forged bronze; used to extend standing rigging by adding to the bottom of the turnbuckle. Use with classic fixed fork turnbuckles to provide toggle action at the chainplate. Used at the top of headstays and backstays to provide toggle action. Special order Bronze finish by substituting "B" for "C" in the part number. Price is the same for bronze or chrome.

Table with 3 columns: Part No., Pin-to-Pin, Pin Size. Lists Eye Jaw Toggle models and their dimensions.

Delta Plates - 316 Stainless SCHAEFER Johnson LEGENDARY STRENGTH

Commonly used in split backstays to join the upper piece with the two lower legs. Double plates are designed to be used in pairs and not split up for use as a single plate.



Table with 5 columns: Part No., Type, Pins Included, Base Pin, Top Pin. Lists Delta Plate models and their specifications.

Link Plate Extenders - 316 Stainless



Supplied as double plates with clevis pins. These pairs are not designed to be split up for use as singles. Commonly used to extend short rigging or to raise the furling system drum at the stemhead.



Table with 3 columns: Part No., Pin-to-Pin, Pin Size. Lists Link Plate Extender models and their dimensions.

Link Plate Adapters - 316 Stainless



Table with 3 columns: Part No., Pin-to-Pin, Pin Size. Lists Link Plate Adapter models and their dimensions.

Strap Toggles - 316 Stainless



High fatigue fitting designed for use with corresponding pin sizes of marine eyes.



Table with 3 columns: Part No., Pin-to-Pin, Pin Size. Lists Strap Toggle models and their dimensions.



Ball and Shanks



Used on wire halyards to provide a point of attachment for halyard locks. Specify direction of installed shank if ordering an assembly. Will not develop the full breaking strength of the original cable so user must determine its suitability. Call for quantity pricing.



Part No.	Wire Size
SWBS02	1/16"
SWBS03	3/32"
SWBS04	1/8"
SWBS05	5/32"
SWBS06	3/16"
SWBS07	7/32"
SWBS08	1/4"
SWBS09	9/32"
SWBS10	5/16"

Oval Sleeves

Zinc Plated Copper. Must be installed with properly adjusted tool to develop full rated holding strength. Call for quantity price.



Part No.	Wire Size
OS02	1/16"
OS03	3/32"
OS04	1/8"
OS05	5/32"
OS06	3/16"
OS07	7/32"
OS08	1/4"
OS10	5/16"
OS12	3/8"
OS16	1/2"

Stop Sleeves

Copper when properly installed on 3x7, 7x7, 7x19 and 6x19 wire, stop sleeves are capable of holding only 1/3 to 1/2 of the rated breaking strength of the cable to which they are attached.



Part No.	Wire Size
SS02	1/16"
SS03	3/32"
SS04	1/8"
SS05	5/32"
SS06	3/16"
SS07	7/32"
SS08	1/4"

Thimbles, Cast



Precision cast 304SS. Also known as Sailmaker's Thimbles, used with hi-tech ropes for running backs or luff lines in asymmetrical sails. Also used with 7x19 wire for high-load applications. 304SS



Part No.	Wire Size
TC08	1/4"
TC10	5/16"
TC12	3/8"
TC16	1/2"
TC20	5/8"
TC24	3/4"
TC32	1"

Thimbles



Stamped 304SS. Also known as a split thimble, can be pried open to fit over rings or shackles. Often used in conjunction with 7x19 wire and oval sleeves.



Part No.	Wire/ Rope Diameter
T02	1/16"-3/32"
T04	1/8"
T05	5/32"
T06	3/16"-7/32"
T08	1/4"
T10	5/16"
T12	3/8"
T16	1/2"
T20	5/8"
T24	3/4"
T28	7/8"
T32	1"
T36	1 1/8"
T40	1 1/4"

Clevis Pins



Part numbers with * are correct length for corresponding aircraft fork pin hole. Grip length is measured from inside of head to inside of cotter pin hole. Part numbers are dimensions in 32nds of an inch. 316SS

Part No.	Diameter	Grip Length
CP0609-1*	3/16"	9/32"
CP0613-1*	3/16"	13/32"
CP0814-1*	1/4"	7/16"
CP0816-1	1/4"	1/2"
CP0820-1	1/4"	5/8"
CP0826-1	1/4"	13/16"
CP1018-1*	5/16"	9/16"
CP1020-1	5/16"	5/8"
CP1021-1*	5/16"	21/32"
CP1022-1	5/16"	11/16"
CP1032-1	5/16"	1"
CP1222-1	3/8"	11/16"
CP1223-1*	3/8"	23/32"
CP1226-1	3/8"	13/16"
CP1240-1	3/8"	1 1/4"
CP1424-1	7/16"	3/4"
CP1425-1*	7/16"	25/32"
CP1428-1	7/16"	7/8"
CP1627-1*	1/2"	27/32"
CP1630-1	1/2"	15/16"
CP1636-1	1/2"	1 1/8"
CP1650-1	1/2"	1 9/16"
CP1827-1*	9/16"	27/32"
CP1832-1	9/16"	1"
CP2034-1	5/8"	1 1/16"
CP2036-1	5/8"	1 1/8"
CP2042-1	5/8"	1 5/16"
CP2056-1	5/8"	1 3/4"
CP2068-1	5/8"	2 1/8"
CP2440-1	3/4"	1 1/4"
CP2450-1	3/4"	1 9/16"
CP2468-1	3/4"	2 1/8"
CP2854-1	7/8"	1 11/16"
CP2890-1	7/8"	2 13/16"
CP3254-1	1"	1 11/16"

Cotter Pins

Stainless steel cotter pins. Buy an assortment, as many clevis pins of the same diameter have different size holes for cotter rings. Check website for wider variety and package pricing of cotter pints. Bronze available by special order. 18-8 SS



Part No.	Grip	Diameter
COTP0224	3/4"	1/16"
COTP0324	3/4"	3/32"
COTP0332	1"	3/32"
COTP0348	1 1/2"	3/32"
COTP0432	1"	1/8"
COTP0540	1 1/4"	5/32"
COTP0648	1 1/2"	3/16"
COTP0864	2"	1/4"

Cotter Rings



Cotter rings, in our opinion, should not be used in standing rigging applications, and are more commonly used on life-line pins and turnbuckles where they can be checked more often for secure engagement. 316 SS



Part No.	For Pin Dia.	ID Ring
COTR12-2	3/16"	3/8"
COTR20-2	3/16-1/4"	5/8"
COTR20PT-2*	3/16-1/4"	5/8"
COTR24-2	1/4-3/8"	3/4"
COTR28-2**	5/16-3/8"	7/8"
COTR38-2	1/2-5/8"	1-3/16"

* Pigtail
** Heavy Duty for Pelican Hook Pin

Rigging Pins



Rigging pins with a cotter pin in each end are used where a longer pin is needed. Grip is measured from the inside of the cotter pin holes. Cotter pins not included. Stainless steel. Other sizes available by special order. 316 SS

Part No.	Grip	Description
RP0848-3	1/4"	1 1/2"
RP0864-3	1/4"	2"
RP0880-3	1/4"	2 1/2"
RP1064-3	5/16"	2"
RP10112-3	5/16"	3 1/2"
RP1256-3	3/8"	1 3/4"
RP1264-3	3/8"	2"
RP12112-3	3/8"	3 1/2"
RP1432-3	7/16"	1"
RP1440-3	7/16"	1 1/4"
RP1448-3	7/16"	1 1/2"
RP1464-3	7/16"	2"
RP1664-3	1/2"	2"
RP1672-3	1/2"	2 1/4"
RP1680-3	1/2"	2 1/2"
RP1696-3	1/2"	3"
RP16112-3	1/2"	3 1/2"
RP16208-3	1/2"	6 1/2"
RP2064-3	5/8"	2"
RP2080-3	5/8"	2 1/2"
RP20112-3	5/8"	3 1/2"
RP20206-3	5/8"	6 1/2"



Adjusters

Johnson Stay Adjusters

Stay Adjuster - Quick Release
Developed for dry sailed one-design dinghies. When the Quick Release pin is pulled, easy adjustment and unrigging can be obtained.

Part No.	Upper Pin	Lower Pin	SWL
J15-212	3/16"	1/4"	400 lbs



Johnson

Johnson Shroud Adjusters - Single Row Hole

Single row hole adjusters are good for applications where precise tuning is not required.

Part No.	Total ADJ.	Pin Dia.	SWL
J15-203	3 1/4"	3/16"	400 lbs
J15-205*	2 5/8"	1/4"	1,000 lbs

* Calibrated.



Johnson Shroud Adjusters - Double Row Hole

These double row hole adjusters offer more precise tuning for stays and shrouds.

Part No.	Total ADJ.	Pin Diameter		SWL
		Upper	Lower	
J15-204-1*	2 1/2"	3/16"	1/4"	400 lbs
J15-204	2 1/2"	3/16"	3/16"	400 lbs

* Calibrated.



Wichard Inner Forestay Tang

Easy way to add an inner forestay. Cut 3/8" x 4" slot in mast, insert each half, bolt together, and rivet in place. 18mm Pin.

Part No.
W9150



Johnson Quick Release Levers

Trailerable boats up to 30' feet find that a lever on the forestay greatly facilitates stepping and unstepping the mast. See Johnson Marine or our website for more details.

Part No.	Wire Size	Pin Dia.	SWL	Pin-to-Pin
J14-205	to 1/8"	1/4"	1,000 lbs	8-3/8" max. 7-3/8 min.
J14-206	to 5/32"	5/16"	1,000 lbs	8-3/8" max. 6-7/8 min.
J14-210	5/32", 3/16"	5/16"	1,600 lbs	10-7/8" max. 9-3/8 min.
J14-211	5/32"	5/16"	1,600 lbs	Depending on wire size
J14-212	3/16"	5/16"	1,600 lbs	Depending on wire size



Johnson

Johnson Inner Forestay Levers - 316 SS

Part No.	Pin Size	SWL	Thread Size	Weight
J54-800	1/2"	4,300 lbs.	1/2" x 20	3.5 lbs
J54-850	5/8"	5,800 lbs.	5/8" x 18	3.5 lbs

Threaded stud not included.



Johnson Inner Forestay Storage Bridle

12" long overall, welded type 316 SS. Keeps inner forestay secure while stowed. Center bracket eyelet measures 3/8". For use with up to 1/2" inner forestays.

Part No.
J49-250



Schaefer Inner Forestay Lever

Schaefer's new SRL-500 is similar in look and function to the old ABI forestay release levers but miles ahead in quality and finish. Made from highly polished cast 316 Stainless Steel.

Part No.	Pin Dia.	Length Open	Length Closed
SCHSRL-500	1/2"	13 3/4"	9 3/4"

SCHAEFER
LEGENDARY STRENGTH

Harken Single-Acting Integral Hydraulic Backstay Adjusters

Harken's integral hydraulic backstay adjuster provides the power to optimize sail shape quickly for racers and adjust mast tension for smoother furling for cruisers. The cylinder features a built-in, single acting pump. An appropriately sized strap toggle is recommended with installation. See page 32 for strap toggles.

Part No.	Max Wire	Stroke	Weight	Gap/Pin Ø
HCI006BCC	7/32"	14.17"	8.36 lbs.	7/16"
HCI010BCC	9/32"	14.17"	8.36 lbs.	1/2"
HCI012BCC	5/16"	14.17"	9.72 lbs.	5/8"
HCI017BCC	3/8"	14.17"	9.72 lbs.	5/8"

Strap Toggle recommended - See page 32 for Stainless Steel strap toggles.



HARKEN

SLEEVES, PINS & ADJUSTERS



Ascend Tools

7" Wire Rope & Electrical Cable Cutters

Designed to cut wire rope and electrical cables neatly and accurately with minimal force. The slim design, long handles for its size, and opening spring makes it a very powerful and comfortable cutting tool.

- Cuts up to 5mm Stainless Steel Wire

Part No. _____
VT-WRC-835-07



C-12 Felco Wire Cutters

Swiss made Felco cutters are world-renown for their precision manufacturing and cutting capabilities. Lightweight and strong.

- Cuts up to 12mm Steel and 6mm Stainless Steel Wire

Part No. _____
RT-WC12



Ascend Tools 8" Shears

Kevlar, Dyneema, Vectran, Spectra, Technora, Nomex, Innegra, Dacron, Fiberglass, Carbon Fiber

Blades made of hardened high carbon alloy steel, designed for cutting high-tech materials. One blade is micro-serrated to avoid slippage and the other can be sharpened to extend the life.

Part No. _____ Description
ATI-802 8" Ascend Tools Shears



New England Uni-Fid II Splicing Kit with Instructions

Splicing kit for braided line from 1/4" to 1". Kit includes 2 aluminum fids and instructions for double braid, single braid, and parallel core rope.

Part No. _____
NEFID



Splicing Instructions:
<https://www.neropes.com/services/splicing/>

Samson Splicing Kit for 1/4"-1/2" Double Braid

Splicing kit includes 5 tubular fids (1/4", 5/16", 3/8", 7/16" and 1/2"), 1 pusher and instructions for double braid splices.

Part No. _____
SAFID-SPLICEKIT



Splicing Instructions & Videos:
http://www.samsonrope.com/Pages/Splice_Instructions.aspx

Davis Instruments Deluxe Rigging Knife

Davis Instruments' Deluxe Rigging Knife is specially designed to cut heavy dock lines and ropes. It is a sailing knife with dura-edged blades and is made from stainless steel. It includes a marlin spike, shackle key, and screwdriver.

Part No. _____
DAV1551



Dillon Quick-Check Tension Meter

The Dillon Quick-Check Tension Meter is a highly accurate instrument shipped in a durable heavy duty carry case, programed to calculate and post real time wire tension for standing rigging ranging from 3/16" up to and including 7/8" as well as metric wires within the same range. The Dillon can post wire tension measurements on its integral LED display for both 1x19 and Compact Strand wire construction in less than 5 seconds without having to rely on correction or lookup tables.



Best for big boat and catamaran rigging

Accurate Tension Read up to 10,000 lbs (4,536 kgs)

Part No. _____ Description
DILAWT05-508111..... Dillon Quick-Check Tension Meter

Wire & Rod Tension Gauges

Loos Standard Models A & B

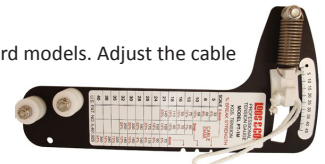
Specially designed for accurate tuning of standing rigging. Manufactured of rugged anodized aluminum; the gauge is corrosion-resistant and will last for years.



Part No. _____ Description
LOOS91A.....Gauge for Wire diameters 3/32", 1/8" & 5/32"
LOOS90B.....Gauge for Wire diameters 3/16", 7/32", 1/4" & 9/32"

Loos Professional Models

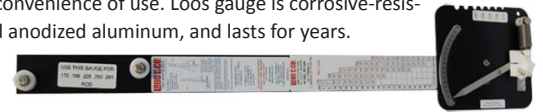
Higher accuracy and easier to use than standard models. Adjust the cable while the gauge remains on the cable.



Part No. _____ Description
LOOSPT-1.....Pro Gauge for Wire diameters 3/32", 1/8" & 5/32"
LOOSPT-2..... Pro Gauge for Wire diameters 3/16", 7/32", 1/4"
LOOSPT-3.....Pro Gauge for Wire diameters 1/4", 5/16", 3/8"

Loos Rod Rigging Gauges

Similar in operation to Loos Professional Wire Gauges; provides durability, accuracy, and convenience of use. Loos gauge is corrosive-resistant, made of rugged anodized aluminum, and lasts for years.



Part No. _____ Description
LOOSRT-10..... Rod Rigging Gauge for -4, -6, -8, -10, and -12 Rod
LOOSRT-11..... Rod Rigging Gauge for -12, -12 and -22 Rod

Harken Bosun's Chair



Ensures a comfortable seat that allows you to work aloft with confidence. Seat made from heavy-duty polyester canvas with 1" foam padding, and includes adjustable safety belt and two roomy pockets.



Part No. _____
H2234



Lanocote®

Lanocote® displaces water, absorbs corrosion, forms moisture barrier, and penetrates with high lubricity. Prevents dissimilar metal galvanization. Prevents corrosion of all types of metals; formulated to withstand salt water marine conditions. Particularly useful in preventing thread seizure due to all types of corrosion.



Table with 2 columns: Part No., Description. Rows include FOR770001 (Lanocote® 4 oz. jar) and FOR770003 (Lanocote® 16 oz. jar)

Marelube

The Ultimate in Corrosion Protection. Designed specifically for high load/extreme pressure anti-corrosion, anti-seize, and bi-metal barrier applications. Completely waterproof, tenacious, synthetic grease containing 45% PTFE sub-micron size powder. The highest percentage PTFE available anywhere. Won't wash away in fresh or salt water, or detergents.



Table with 2 columns: Part No., Description. Rows include FOR770065 (Marelube TEF 45, 6 cc Syringe), FOR770066 (Marelube TEF 45, 30 cc Syringe), and FOR770067 (Marelube TEF 45, 4 oz jar)

Loctite

Protects thread from rust and corrosion. Prevents loosening and leakage from shock and vibration. Removable with heat and hand tools.

Table with 2 columns: Part No., Description. Row includes HHFG983 (Harken Red Loctite 277. 10 ML Tube)



Life-Calk

A long lasting, permanently flexible marine polysulfide sealant that can be sanded, painted, and used above and below the waterline. Can be used for installation of mechanical rigging terminals to prevent water intrusion.



Table with 2 columns: Part No., Description. Rows include LIFECALK (Boat Life Life-Calk 3 oz Tube) and LIFECALKCART (Boat Life Life-Calk Cartridge; 1/12 Gal.)

Harken Winch Grease

You should service your winches at least once during the season. However, twice a season is best if your boat lives in salt water. If you race your boat hard, you may want to service your winches before every regatta. Keep your winches clean and operating smoothly by flushing frequently with fresh water. Check pawls and springs, bearings, gears, and spindles for signs of wear and corrosion.

Table with 2 columns: Part No., Description. Row includes HBK4513 (Winch Grease 3.5 oz (100 ml) Tube)



Lewmar Gear Grease

High quality, complex calcium sulphonate based grease with exceptional performance properties. Solid activation to aid load carrying characteristics of a winch. Recommended for lubrication of winches, windlasses, steering gears, bearings, trailer wheel bearings, hydraulic equipment, outboard engines and other marine application.

Table with 2 columns: Part No., Description. Row includes LEW19701000 (Winch Grease 3.5 oz (100 ml) Tube)



McLube™

High performance dry lubricant that repels water, dirt, salt, and contaminants. Reduces drag in air and water, and is clean, dry, and easy to use. Makes sails, hulls, rigging, deck hardware, and anything that moves on your boat run smoother, work more efficiently and last longer than you ever though possible. It dries quickly to a hard, smooth, ultra-slick, hydrophobic dry coating that bonds tenaciously to almost any surface. And because Sailkote is a dry lubricant, it will not attract dirt or contaminants and will not transfer to other surfaces, or you.

McLube



Table with 2 columns: Part No., Description. Rows include MCL08OZ (Sailkote™ Lubricant, 8 oz. aerosol), MCL-QT (Sailkote™ Lubricant, 1 quart liquid), and MCLGAL (Sailkote™ Lubricant, 1 gallon liquid)

McLube Hullkote™

High performance speed polish for use on fiberglass, metal, plexiglass and painted surfaces. Cleans, polishes, and protects while reducing drag and repelling water. Provides superior UV protection.

Table with 2 columns: Part No., Description. Row includes H7880 (Hullkote™ Speed Polish, 1 pint)



McLube Antifoul Alternative™

High gloss polish that inhibits marine growth below the waterline and keeps your hull fast and clean for weeks at a time. Citrus based and fully biodegradable, this breakthrough product is quick and easy to apply. Aggressively tested on V070s, one-design keelboats, RIBS, and powerboats worldwide.

Table with 2 columns: Part No., Description. Row includes H7881 (Antifoul Alternative Speed Polish, 1 Pint)



Recommended by HARKEN

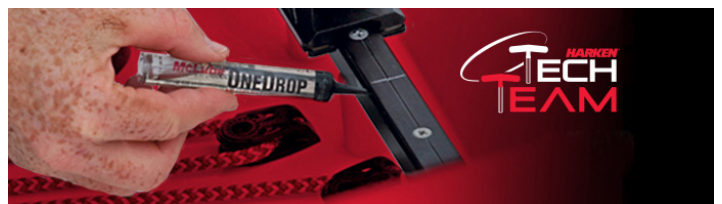
McLube Onedrop™

Only one drop of this conditioner repels salt, dirt, and other deposits to protect, lubricate and condition bearing surfaces. For use on Harken travelers and Battcars. Reduces friction so balls roll freely and evenly, greatly improving traveler performance.

Table with 2 columns: Part No., Description. Row includes H7875 (Onedrop™ Ball Bearing Conditioner)



Recommended by HARKEN





Signal Mate 2NM Tri-Color/Anchor Navigation Light (3 Wire Installation)

2 NM (nautical mile) LED navigation light, certified USCG/ ABYC A-16 & 72 COLREGS. This light is used for sailboats up to 20 meters (65 feet). The light also has a Windex illumination window for night sailing. Used by recreational vessels.



Part No.	Description
SM-TRIANC3P	LED Tricolor / Anchor 12v w/Photodiode

OGM LED Lights



ORCA Green Marine navigation lights are rugged, reliable, and use a fraction of the amperage of traditional incandescent bulbs. OGM lights are for 12v, USCG approved with quick disconnect cables.

Part No.	Description
OGM-LXTA-S	LED Tricolor /Anchor Light with Strobe
OGM-LXTA-SP	LED Tricolor /Anchor Light with Photodiode & Strobe
OGM-LXA	LED Anchor Light
OGM-LXAP	LED Anchor Light with Photodiode
OGM-LX3MH	LED Steaming Light
OGM-LXBRKT-01	"L" Mounting Bracket for side mast mounting
OGM-LXBRKT-02	Mounting Bracket for top of mast mounting
OGM-SWITCHREV	Reversing Switch for Tricolor /Anchor Light
OGM-SWITCHSEL	Switch for Tricolor/Anchor Light with Strobe

Forespar Lights



Spreader/Deck Light - ML-1

Part No.	Description
FOR131300	ML-1 LED
FOR132335	LED Bottom Bulb Only ML-1 & ML-2
FOR132009	Replacement bottom ring (Twist lock)



Combination Deck/Bow Lights - ML-2

Part No.	Description
FOR132300	ML-2, LED
FOR132325	Top Bulb Only - LED (Steaming Light)
FOR132041	Complete Top Clear Lens



Stainless Steel Light Guard

Part No.	Description
FOR132200	Stainless Steel Chafe Guard



Scan to Browse More Navigation Lights Online!



Dr. LED Bulbs

The best replacement for conventional bayonet indexed light bulbs used in marine navigation lights. The first LEDs to receive USCG approval, the Polar Star series has built-in patent-pending circuitry to maintain constant 2 nautical mile visibility brightness. Operates on an input voltage range of 10VDC to 30VDC, and draws only 0.09 Amps.



Part No.	Description
DLED8001757	LED White Bulb. Fits AQ Series 40, 41, 42, 50 & 55
DLED8001450	LED Tricolor Bulb. Fits AQ Series 40, 41, 42, 50 & 55
DLED8001634	Bi-Color Polar Star 40 (replaces 8001085 & 8001092)

Electric Wire



Made from finely stranded tinned copper for excellent corrosion resistance in a marine environment, and PVC coated for the best resistance to moisture and abrasion. Conforms to SAE specifications J1128 and J378. Intended for applications of 50v or less. Sold by the foot.

Part No.	Description
WE14/2	14 Gauge Tinned Copper Electrical Wire, Duplex
WE14/3	14 Gauge Tinned Copper Electrical Wire, Triplex
WER16/2	16 Gauge Tinned Copper Electrical Wire, Duplex, Round
WER16/3	16 Gauge Tinned Copper Electrical Wire, Triplex, Round

VHF Antenna & Components



PL259 Coax Cable Plug - Male



Jack-to-Jack PL258 Coupler



RG8X Cable Adapter for PL259



PL259 Insert for RG58 (Small)



Shakes, Crimp style RG8X/58AU



RG8X Coax & RG324U Large Coax



VHFA Antenna

Part No.	Description
VHFA	Metz VHF Antenna with Bracket
COAX (FT)	RG8X Coax, Low Loss Cable, Tinned with Braid Shielding
COAXL	RG-213 Large Coax (RG8U) Cable
PL259	Coax Cable Plug - Male
PL258	Jack-to-Jack PL259 Coupler
PL259A	RG8X Cable Adapter for PL259
PL259AS	PL259 Insert for RG58 (Small)
PL259-CP	Shakes, Crimp style RG8X/58AU

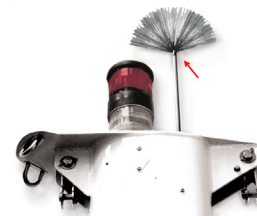
Forespar Lightning™ Master Static Dissipator

Lowest exposure to a direct lightning strike by controlling the conditions which trigger direct strike (i.e. they reduce the build-up of static ground charge and retard the formation of the ion "streamers" which complete the path for a lightning strike).

Lightweight (5.2 oz.) 21" long Dissipator mounts to the masthead and extends vertically above all other masthead equipment.

Not 100% effective in preventing a lightning strike. See Forespar.com for more information.

Part No.
FOR151100





Mast, Shrouds & Stay Accessories

Stainless Steel Sail Tracks

McLube

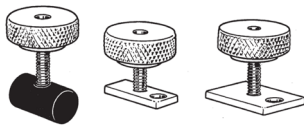


Commonly used on masts and booms for high-strength sail leads. Made from type 304 Stainless Steel. Fastener holes on 2-3/4" centers.

Part No.	Description
SCH75-05-72	5/8" x 5'9-1/2" (16mm x 1.77m) Sail Track
SCH75-05-144	5/8" x 12' (16mm x 3.6m) Sail Track
SCH74-05	End Stop for 5/8" (16mm) Sail Track
SCH74-45	Adjustable Track Stop for 5/8" (16mm) Sail Track
SCH75-07-72	7/8" x 6' (16mm x 1.77m) Sail Track
SCH75-07-144	7/8" x 12' (22mm x 3.6m) Sail Track
SCH74-02	End Stop for 7/8" (22mm) Sail Track
SCH74-42	Adjustable Track Stop for 7/8" (22mm) Sail Track



Sail Track Stops



Part No.	Description
DAV2350	Round, fits most spars with round luff groove. .50" x .875"
DAV2351	Flat, small. For spars with flat grooves .42" x 1" x .125"
DAV2352	Flat, large. For spars with flat grooves .75" x 1" x .125"



Windex 10 Sport & Windex 15

Windex® 10 Sport has a 10" vane and is 9-1/4" tall for dinghies and small keelboats. Windex® 15 has a 15" vane and is 12-3/4" tall for boats 15' and up.



Part No.	Description
DAV3120	Windex® 10 Sport
DAV3150	Windex® 15
DAV1705	Deluxe Universal Masthead Mount
DAV3200	Light for Windex® 10 Sport & 15
DAV3151	Windex® 15 Replacement Vane

Rigging and Mast Boot Tape

Good rigging tape should bond only to itself - not the items being covered - be puncture resistant, and stand up well to the harsh marine environment. We stock rigging tape from both Johnson Marine and NAVTEC.



Part No.	Description
RIGT	Rubbaweld® Rigging Tape, White: 1" x 15' roll
RIGTB	Rubbaweld® Rigging Tape, Black: 1" x 15' roll
MASTT100	Rubbaweld® Mast Boot Tape, White: 4" x 10'

Windblown Mastboots

Flexible rubber with aggressive adhesive backing, UV stable and durable. 5" wide and 1/10 of an inch thick. Tape is applied from the bottom up in a shingle like manner. Once in place it forms a one-piece custom fitted boot. When it's time for removal, just slit the boot with a knife or razor and peel it away.



Part No.	Description
MAST40	Designed to fit boats up to 40'*
MAST60	Designed to fit boats up to 60'*

*Boat lengths are a general guide. If you have an unusually large mast please contact us for recommendations.

Shroud Cleats

Non-corrosive stainless steel construction, compatible with stainless steel rigging. Easily attached to 5/32" through 3/8" diameter wire or rod. Ideal for flag halyards with an eye for attaching a snap shackle.



Part No.
J40-518

Folding Mast Steps



Polished, clear anodized cast #356 T-6 aluminum. Step has 5" tread width; when closed, extends 1-1/2" from mast. Includes nylon adjusting screw to eliminate rattle when in the closed position.

Part No.
SD328030 ... Price for 24 steps or less

**Discount available for 25 steps or more.*

Spartite®

The Spartite® Mast Wedge Replacement System kit is the perfect solution to secure and seal a mast at deck level. Spartite® helps keep the mast up and the water out! Spartite® is a pre-measured two-part polymer poured into the cavity between the mast and the partners while the mast is in the boat. Comes with complete instructions and materials to build a simple mold out of even the most complex partners or mast collar. Spartite® makes a one-piece perfect fitting mast chock that replaces archaic wedges.

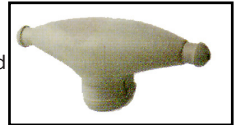


Part No.	Description
SPARTS	Small Spartite® Kit for boats up to 40'*
SPARTL	Large Spartite® Kit for boats over 40'*

**Lengths are a general guide. If you have an unstayed rig or an unusually large gap (over 1") between your mast and collar, please purchase the large kit.*

Spreader Boots

Durable vinyl spreader boots available for both round and flat spreaders. Easily installed with rigging tape. (See RIGT)



Part No.	Description
SBFL	Large Spreader Boot for Flat Spreaders (pr.) 3-1/4" X 1"
SBRS	Small Spreader Boot for Round Spreaders (pr.) To 1/8" Wire
SBRM	Med. Spreader Boot for Round Spreaders (pr.) To 3/16" Wire
SBRL	Large Spreader Boot for Round Spreaders (pr.) To 1/4" Wire

Edson Leather Spreader Boots

Leather spreader kits from Edson Marine include two pre-punched Dove Gray Leather Spreader Boot Covers, heavy waxed polyester thread for lacing, hand-stitching needle, and instructions.



Part No.	Description
ED1401-1	Edson Leather Spreader Boot Kit for 1" Spreaders (pr.)
ED1401-3	Edson Leather Spreader Boot Kit for 3" Spreaders 9pr.

Seizing Wire - Type 302/304

Used for applications such as fixing spreader ends to shrouds, and locking shackle pins.

Part No.	Description
LOOSSLWQ032	Seizing Wire, SS, .032" Dia. x 91'
LOOSSLWQ041	Seizing Wire, SS, .041" Dia. x 55'
WSEI202	Seizing Wire, SS, 1/16" 1x7, per foot

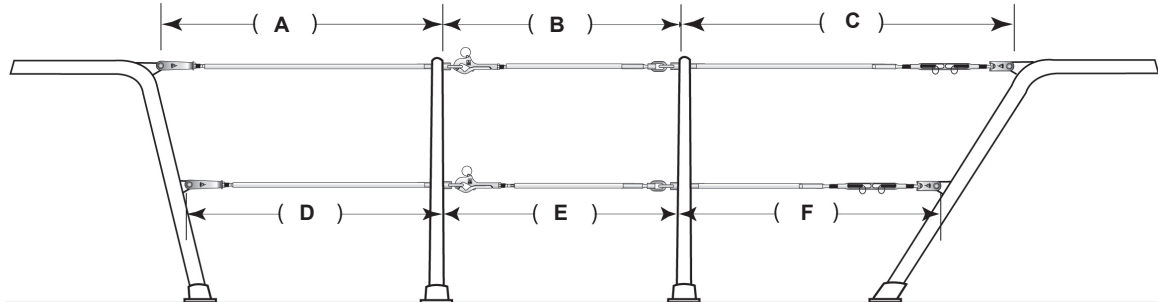




Measure lengths from point-to-point, as shown on the drawing. Indicate wire size (1/8", 3/16" or 1/4"). One possible configuration is shown below. Specify vinyl-coated 7x7 or uncoated 1x19 SS. Contact us or refer to our website for a more detailed description and explanation of how to take correct and accurate measurements on different configurations.

Description	Wire Size	Fwd Endfitting	Aft Endfitting	Length
Upper Stbd A				
Upper Stbd B				
Upper Stbd C				
Lower Stbd D				
Lower Stbd E				
Lower Stbd F				

Description	Wire Size	Fwd Endfitting	Aft Endfitting	Length
Upper Port A				
Upper Port B				
Upper Port C				
Lower Port D				
Lower Port E				
Lower Port F				



Tubular Pelican Hooks

Stamped Stainless. Machine Swage.

Part No.	Wire	Thread	Adjustment
LPT0408L-2	1/8"	1/4" -28 RH	1-1/2"
LPT0508L-2	5/32"	1/4" -28 RH	1-1/2"
LPT0608L-2	3/16"	1/4" -28 RH	1-1/2"

Replacement Studs

Part No.
LST040880L-2
LST050880L-2
LST060880L-2



Deluxe Pelican Hooks 3" Body

Cast 316 Stainless. Machine Swage.

Part No.	Wire	Thread	Adjustment
LPD04SR-3	1/8"	1/4" -28 RH	1"
LPD05SR-3	5/32"	1/4" -28 RH	1"
LPD06SR-3	3/16"	1/4" -28 RH	1"

Replacement Studs

Part No.
LST040848R-3
LST050848R-3
LST060848R-3



Deluxe Pelican Hook 4" Body

Cast 316 Stainless. Machine Swage.

Part No.	Wire	Thread	Adjustment
LPD04R-3	1/8"	5/16" -24 RH	1-1/2"
LPD05R-3	5/32"	5/16" -24 RH	1-1/2"
LPD06R-3	3/16"	5/16" -24 RH	1-1/2"
LPD08R-3	1/4"	5/16" -24 RH	1-1/2"

*Swage with 7/32 Die.

Replacement Studs

Part No.
LST041076L-3
LST051048R-3
LST061076R-3
LST081076R-3



Johnson Deluxe Pelican Snap Gate Hooks

Easy to release over-center style. 316 type SS. LH thread only.

Machine Swage Only.

Part No.	Wire	Thread	Adjustment
LPSG04L-2	1/8"	1/4" -24 RH	1-1/4"
LPSG05L-2	5/32"	5/16" -24 RH	1-1/4"
LPSG06L-2	3/16"	5/16" -24 RH	1-1/4"
LPSG08L-2*	1/4"	5/16" -24 RH	1-1/4"

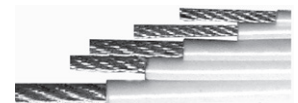
*Swage with 7/32 Die.

Replacement Studs

Part No.
LST040880L-2
LST051064L-2
LST061064L-2
LST081064L-2



Vinyl Coated 7x7 Wire-Type 316SS



Seven strands consisting of seven wires each. Semi-flexible and vinyl coated for a smooth, white finish. Traditionally used for lifelines. Type 316 Stainless Steel.

Part No.	Wire Dia.	Coated Dia. (O.D.)	Approx. Break	Weight /100
WV0406	1/8"	3/16"	1,434 lbs	3.9 lbs
WV0407	1/8"	7/32"	1,434 lbs	4.1 lbs
WV0508	5/32"	1/4"	2,211 lbs	5.9 lbs
WV0608	3/16"	1/4"	3,218 lbs	8.0 lbs
WV0610	3/16"	5/16"	3,218 lbs	9.2 lbs
WV0812	1/4"	3/8"	5,728 lbs	14.5 lbs

Un-Coated 1x19 Wire - Type 316SS

One strand consisting of 19 wires. Very stiff. Becoming more popular for lifelines due to its higher strength, durability and shiny appearance. Type 316 Stainless Steel.

Part No.	Wire Diameter	Approx. Break	Weight /100
WS04	1/8"	1,866 lbs	3.5 lbs
WS05	5/32"/4mm	2,908 lbs	3.5 lbs
WS06	3/16"	4,200 lbs	7.7 lbs
WS08	1/4"	7,481 lbs	13.5 lbs

Johnson Snap Gate Body

Part No.	Thread
J21-80	51/16" -24 L.H
J21-80-1	5/16" -24 R.H
J21-81	1/4" -28 L.H.
J21-88	8mm R.H.



Lifeline Fittings

Single Gate Eyes - Swivel



Part No.	Wire
LSES04-3	1/8"
LSES06-3	3/16"
LSES08-3*	1/4"

*Swage with 7/32" Die.

Single Gate Eye - Threaded



Part No.	Wire
LSE04-2	1/8"
LSE06-2	3/16"
LSE08-2*	1/4"

*Swage with 7/32" Die.

Important! Threaded gate eyes must be assembled in the field with Loctite, or a similar thread locking product, to ensure the fitting does not become unscrewed during use. See page 36 for Loctite.

Repl. Stud for Threaded Gate Eye

Part No.	Wire	Thread Dia.	Thread Length
LST040812L-2	1/8"	1/4"	7/16"
LST061012L-2	3/16"	5/16"	7/16"
LST081212L-2*	1/4"	3/8"	7/16"

*Use 7/32" Die

Interlocking Gate Eyes - Swivel



Part No.	Wire
LDES04-3	1/8"
LDES06-3	3/16"
LDES08-3*	1/4"

*Swage with 7/32" Die.

Interlocking Gate Eye - Threaded



Part No.	Wire
LDE04-2	1/8"
LDE06-2	3/16"
LDE08-2*	1/4"

*Swage with 7/32" Die.

Important! Threaded gate eyes must be assembled in the field with Loctite, or a similar thread locking product, to ensure the fitting does not become unscrewed during use. See page 36 for Loctite.

Toggle Jaws



Part No.	Wire	Pin Dia.
LTG0408T-2	1/8"	1/4"
LTG0608T-2	3/16"	1/4"
LTG0810T-2*	1/4"	5/16"

*Swage with 7/32" Die.

Lifeline Turnbuckles, Closed Body

Tubular body in 316 Stainless Steel with Stainless Steel Swage Stud and lock nuts. Machine swage only.



Part No.	Wire	Thread	Adjustment
LTBC0408-2	1/8"	1/4"	3"
LTBC0608-2	3/16"	1/4"	3"
LTBC0810-2*	1/4"	5/16"	3-3/4"

*Swage with 7/32" Die

Replacement Studs

Part No.	Thread
LST040880L-2	1/4" -28 LH
LST060880L-2	1/4" -28 LH
LST081088L-2*	5/16" -24 LH

Lifeline Turnbuckles, Closed w/Eye

Used where an eye is required for attachment instead of a jaw-check nut locking. T-316 Stainless Steel. Machine swage only.



Part No.	Wire	Thread	Adjustment
J20-304	1/8"	1/4"	3"
J20-306	3/16"	1/4"	3"
J20-308*	1/4"	1/4"	4-1/4"

*Swage with 7/32" Die.

Replacement Studs

Part No.	Thread
LST040880L-2	1/4" -28 LH
LST060880L-2	1/4" -28 LH
LST081088L-2*	5/16" -24 LH

Lifeline Turnbuckle - Open Body

Classic open, chrome-bronze body with 316 Stainless Steel swage stud. Machine swage only.



Part No.	Wire	Pin	Adjustment
LTB0408-2	1/8"	1/4"	3"
LTB0608-2	3/16"	1/4"	3"
LTB0810-2*	1/4"	5/16"	3"

*Swage with 7/32" Die.

Replacement Studs

Part No.	Thread
LST040880LCD-2	1/4" -28 LH
LST060880LCD-2	1/4" -28 LH
LST081088LCD-2	5/16" -24 LH

Adjuster - Short

Used for short runs in place of turnbuckles. Type 316SS. Machine swage only.



Part No.	Wire	Pin	Adjustment
LAFS0408-2	1/8"	1/4"	1"
LAFS0508-2	5/32"	1/4"	1"
LAFS0608-2	3/16"	1/4"	1"

Replacement Studs

Part No.	Thread
LST040848LCD-2	1/4" -28 LH
LST050848LCD-2	1/4" -28 LH
LST061064LCD-2	5/16" -24 LH

Adjuster Turnbuckle Long

Can be used in place of turnbuckles. Type 316SS. Machine swage.



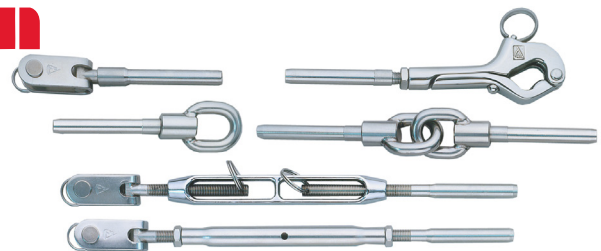
Part No.	Wire	Pin	Adjustment
LAFLO406-2	1/8"	3/16"	2"
LAFLO608-2	3/16"	1/4"	2-3/4"

Replacement Studs

Part No.	Thread
LST040696RCD-2	10-32
LST0608120RCD-2	1/4" -28 RH

Johnson "Extreme Duty" Offshore Series Lifeline Fittings

Johnson



Part No.	Lifeline Fitting	Wire	Thread
J22-306EX	Double Gate Eye	1/4"	5/16" bail, 3/8" thread
J22-304EX	Double Gate Eye	3/16"	5/16" bail, 3/8" thread
J44-118EX	Open Turnbuckle	1/4"	3/8" pin & thread
J43-116EX	Open Turnbuckle	3/16"	5/16" pin & thread
J21-888EX	Pelican Hook	1/4"	5/16" thread, LH
J21-886EX	Pelican Hook	3/16"	5/16" thread, LH
J22-305EX	Single Gate Eye	1/4"	5/16" bail, 3/8" thread
J22-303EX	Single Gate Eye	3/16"	5/16" bail, 3/8" thread
J25-318EX	Toggle Jaw	1/4"	3/8" pin
J17-216	Toggle Jaw	3/16"	5/16" pin
J06-118EX	Tubular Turnbuckle	1/4"	3/8" pin & thread
J05-116EX	Tubular Turnbuckle	3/16"	5/16" pin & thread



Lifeline Studs
(Machine Swaging)



Part No.	Wire	Thread	Thread Length
LST040656*-3	1/8"	10-32"	1-3/4"
LST040660L-2	1/8"	10-32"	1-7/8"
LST040696R-2	1/8"	10-32"	3"
LST040812L-2	1/8"	1/4-28"	3/8"
LST040814*-3	1/8"	1/4-28"	7/16"
LST040848*-3	1/8"	1/4-28"	1-1/2"
LST040872*-3	1/8"	1/4-28"	2-1/4"
LST040880*-2	1/8"	1/4-28"	2-1/2"
LST0408104*-3	1/8"	1/4-28"	3-1/4"
LST050812L-2	5/32"	1/4-28"	3/8"
LST050848*-3	5/32"	1/4-28"	1-1/2"
LST050872*-3	5/32"	1/4-28"	2-1/4"
LST050880*-2	5/32"	1/4-28"	2-1/2"
LST0508104R-3	5/32"	1/4-28"	3-1/4"
LST051014*-3	5/32"	5/16-24"	7/16"
LST051048*-3	5/32"	5/16-24"	1-1/2"
LST051064L-2	5/32"	5/16-24"	2"
LST051076*-3	5/32"	5/16-24"	2-3/8"
LST060848*-3	3/16"	1/4-28"	1-1/2"
LST060872*-3	3/16"	1/4-28"	2-1/4"
LST060880*-2	3/16"	1/4-28"	2-1/2"
LST0608104R-3	3/16"	1/4-28"	3-1/4"
LST0608120R-2	3/16"	1/4-28"	3-3/4"
LST061014*-3	3/16"	5/16-24"	7/16"
LST061048*-3	3/16"	5/16-24"	1-1/2"
LST061064*-2	3/16"	5/16-24"	2"
LST061076*-3	3/16"	5/16-24"	2-3/8"
LST081014*-3	1/4"	5/16-24"	7/16"
LST081048*-3	1/4"	5/16-24"	1-1/2"
LST081064L-2	1/4"	5/16-24"	2"
LST081076*-3	1/4"	5/16-24"	2-3/8"
LST081214*-3	1/4"	3/8-24"	7/16"
LST081248*-3	1/4"	3/8-24"	1-1/2"
LST081288*-3	1/4"	3/8-24"	2-3/4"

* Specify "R" or "L" for left-hand or right-hand threads.

SCHAEFER
LEGENDARY STRENGTH

Stanchions, Heavy Duty

Part No.	Type	Length	Dia.
SCH36-08	Single	24"	1"
SCH36-18	Double	24"	1"
SCH36-07	Single	26"	1"
SCH36-17	Double	26"	1"

Stanchion

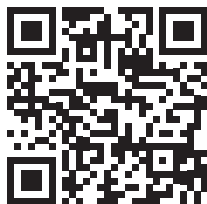


Gatebrace

Gatebrace - 1" Tube

Part No.	Length	Width
SCH36-09	20-7/8"	1"

Lifeline Parts Available Online



SCHAEFER
LEGENDARY STRENGTH

Schaefer Stanchion Base for 1" Tube

Stainless Steel, measures 5-1/8" long x 2-3/4" wide. Canted 5 degrees inboard to match most deck cambers and features a 5/16" welded rod reinforcement which also serves as a bail for snatch blocks and other gear.

Part No.
SCH36-01



Stanchion Caps

Part No.	Tube OD	Eye Dia.
SD270510	7/8"	5/16"
SD270511	1"	5/16"



Pulpit Anchor - 1" Tube

Removable, adjustable anchor point for lifelines on pulpits or stanchions.

Part No.	Pin Hole
J29-501	1/2"



Stanchion Eyes - for 1" OD Tube

Used to add lower lifeline to stanchions without the need to drill holes for the cable to pass through.

Part No.	Manufacturer	Pin Hole
J29-502	C.S. Johnson	5/16"
SCH36-04	Schaefer	5/16"



Stanchion Eye Cap for 1" OD Tube

Part No.	Type	Eye Dia.
SD270500	Male	1/2"
SD270505	Female	1/2"



Gate Stops

Part No.	Maximum Coating Dia.
LGS08-2	5/16"
LGS10-2	3/8"



Stanchion Terminals

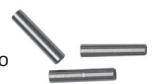
Part No.	Wire
LST04-2	1/8"
LST06-2	3/16"
LST08-2	1/4"



Conversion Sleeves

Used to convert 3/16" lifeline studs to 1/8". Simply insert into fitting before swaging.

Part No.	Wire
LCS0406-3	1/8"





Sailing Services stocks rope for most sailors from traditional yachts to the most high-tech race boats and everything in between. Our team has over 100 years of combined experience delivering top quality products around the world.

CONTACT US FOR PRICING

Sailing Services sells at discounted rates by the foot or full spool to the public as well as tradesmen and retailers.

Trade Pricing:

We welcome bona-fide trade customers and have a deep commitment to your success. Contact us to set up an account to receive trade pricing.

Splicing Services:

Sailing Services offers splicing for running rigging, dock lines, mooring lines and architectural installs.

For more information please contact us at (305) 758-1074 or sales@sailingservices.com.

Quantity Discounts

Cut Lengths:

Additional discounts may apply on large cut-length orders (sold by the foot). *Contact us for details.*

Full Spools:

Purchases of full spools carry a higher trade discount than cut-lengths. *Most spools are 600', but can vary by size and manufacturer. Contact us for details.*

Remnants:

Remnants are new rope, but sold in pre-cut lengths. Usually from the ends of spools or useable lengths leftover after making custom halyards or sheets. Remnants carry a much deeper discount than cut-length rope. Remnants are sold at whatever length they may be. Contact us for details or for a list of currently available remnants.

Try our Rope Search Tool to browse our inventory by Product, Size, Color or Length

Splicing Services

www.sailingservices.com

- Reeving Eyes
- Wire to Rope Splices
- Rope to Chain Splices
- High-Tech Splices
- Whipping Rope Ends
- 3 Strand Eye Splices
- Mega Braid Eye Splices
- Double Braid Eye Splices
- Single Braid Brummel Eye Splices





Splicing Services

Labor prices are posted online; bids are available by email at sales@sailingservices.com or by phone at (305) 758-1074. Splicing assumes the use of new product and normal construction. Used rope is generally not spliceable. Some construction in double braid and single braid presents challenging problems due to tight braiding and irregular crossover between the core and the cover.

Eye Splices - 3-Strand

Part No.	Description
LAES3S08.....	1/4" 3-Strand Eye Splice
LAES3S10.....	5/16" 3-Strand Eye Splice
LAES3S12.....	3/8" 3-Strand Eye Splice
LAES3S14.....	7/16" 3-Strand Eye Splice
LAES3S16.....	1/2" 3-Strand Eye Splice
LAES3S18.....	9/16" 3-Strand Eye Splice
LAES3S20.....	5/8" 3-Strand Eye Splice
LAES3S24.....	3/4" 3-Strand Eye Splice
LAES3S32.....	1" 3-Strand Eye Splice

Eye Splices - Single Braid Brummel Splice

Part No.	Description
LAESSBR04	1/8" Brummel Splice, Interlocked Eye
LAESSBR05	5/32" Brummel Splice, Interlocked Eye
LAESSBR06	3/16" Brummel Splice, Interlocked Eye
LAESSBR08	1/4" Brummel Splice, Interlocked Eye
LAESSBR10	5/16" Brummel Splice, Interlocked Eye
LAESSBR12	3/8" Brummel Splice, Interlocked Eye
LAESSBR14	7/16" Brummel Splice, Interlocked Eye
LAESSBR16	1/2" Brummel Splice, Interlocked Eye
LAESSBR18	9/16" Brummel Splice, Interlocked Eye
LAESSBR20	5/8" Brummel Splice, Interlocked Eye
LAESSBR24	3/4" Brummel Splice, Interlocked Eye
LAESSBR32	1" Brummel Splice, Interlocked Eye

Eye Splices - Double Braid

Part No.	Description
LAESDB08	1/4" Double Braid Eye Splice
LAESDB10.....	5/16" Double Braid Eye Splice
LAESDB12.....	3/8" Double Braid Eye Splice
LAESDB14.....	7/16" Double Braid Eye Splice
LAESDB16.....	1/2" Double Braid Eye Splice
LAESDB18.....	9/16" Double Braid Eye Splice
LAESDB20.....	5/8" Double Braid Eye Splice
LAESDB24.....	3/4" Double Braid Eye Splice
LAESDB28.....	7/8" Double Braid Eye Splice
LAESDB32.....	1" Double Braid Eye Splice

Eye Splices - Mega Braid

Part No.	Description
LAESMB20	5/8" Mega Braid Eye Splice
LAESMB24	3/4" Mega Braid Eye Splice
LAESMB32	1" Mega Braid Eye Splice
LAESMB40.....	1-1/4" Mega Braid Eye Splice
LAESMB48.....	1-1/2" Mega Braid Eye Splice



Specialty Splices

Part No.	Description
LAESPCC	Eye Splice Parallel Core (StaSet X & VPC)
LAEE.....	End-to-End Line Drive Splice

Wire to Rope Splice

Part No.	Description
LATS04.....	Wire/Double Braid Splice to 1/8" Wire
LATS05.....	Wire/Double Braid Splice to 5/32" Wire
LATS06.....	Wire/Double Braid Splice to 3/16" Wire
LATS07.....	Wire/Double Braid Splice 7/32" Wire
LATS08.....	Wire/Double Braid Splice 1/4" Wire
LATS10.....	Wire/Double Braid Splice 5/16" Wire
LATS12.....	Wire/Double Braid Splice 3/8" Wire
LAWR12.....	Wire to Single Braid Splice

Rope to Chain Splices

Part No.	Description
LACS*	3-Strand Rope to Chain
LACMP*	Mega Plait to Chain

*Rope to chain splice pricing may change depending on the size of the rope.

Hi-Tech Splices

Part No.	Description
LAESE.....	Eye Splice Spect/Techn/Kev/Vec
LATB.....	Hi-Tech to Braid Splice
LASC	Stripped Cover

Finishing Touches for Rope

Part No.	Description
LAWP	Whipping on Rope End
LAREV	Reeving Eye (not load bearing)



Endura Braid™



Endura Braid™ features a specially engineered 12-strand Dyneema® SK78 core, with Marine-Tech coating, and a 24-carrier braided polyester cover.

Endura Braid features a high strength-to-weight ratio, very low stretch, low creep, and outstanding durability. The coated braided core is color matched to the cover and ideal for durable tapered sheets and halyards.

Use for sheets, halyards, guys, topping lifts, reef lines, or low-stretch control lines.

Part No.	Dia. Inches	Dia. MM	Tensile Lbs.	Weight Lbs./100'
NEEND06*	3/16"	5mm	3,100	1.1
NEEND08*	1/4"	6mm	4,500	1.8
NEEND10*	5/16"	8mm	8,100	2.7
NEEND12*	3/8"	10mm	11,000	3.9
NEEND14*	7/16"	11mm	14,900	5.3
NEEND16*	1/2"	12mm	21,500	6.9
NEEND18*	9/16"	14mm	25,200	8.8
NEEND20*	5/8"	16mm	29,000	10.8

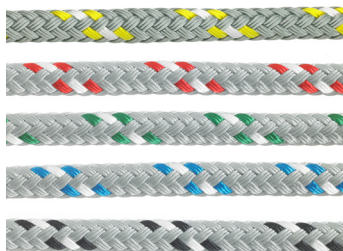
*Add Color Code: BL (Solid Blue), G (Solid Green), R (Solid Red), W (White)

*Euro Colors: EUBK (Euro-Black), EUBL (Euro-Blue), EUG (Euro-Green), EUR (Euro-Red), EUW (Euro-White), EUY (Euro-Yellow).

*Requires Hi-Tech Eye Splice.



VIPER



VIPER is a braided polyester jacket featuring our XHMPE core material that is lightweight, low-stretch, and has good UV resistance. VIPER is super strong when it needs to be, it is ideally suited for our customers looking for better performance than polyester without paying a premium price of Hi-Techs! The product is easily spliced, you can strip the cover and it performs beyond expectations for the discriminating boater. Available in a nice assortment of colors.

Part No.	Dia. Inches	Dia. MM	Tensile Lbs.	Weight Lbs./100'
NEVIPM08	5/16"	8mm	7,000	2.89
NEVIPM10	3/8"	10mm	9,000	4.84
NEVIPM11	7/16"	11mm	11,000	5.62
NEVIPM12	1/2"	12mm	16,000	6.55

*Add Color Code: YF (Yellow Fleck), RF (Red Fleck), GF (Green Fleck), BLF (Blue Fleck), (Black Fleck)



Nexus Pro



The latest innovation from New England Ropes, Nexus Pro has been developed to be the gold standard for performance-minded sailors. Nexus Pro has a durable, lightweight cover that offers excellent grip and holding power. The core is pure Dyneema for ultra-strength and low-stretch. Designed for today's newest one-design sheets and control lines. Perfect for boats that require high tensile such as J70, Etchells, Melges, J24, and larger one-designs.

Part No.	Dia. Inches	Dia. MM	Tensile Lbs.	Weight Lbs./100'
NENXPM06*	1/4"	6mm	3,600	1.15
NENXPM07*	9/32"	7mm	6,000	1.75
NENXPM08*	5/16"	8mm	7,300	2.40
NENXPM10*	3/8"	10mm	11,000	3.40

*Add Color Code: BK (Black Fleck), BF (Blue Fleck), RF (Red Fleck)



D2 Race



The pre-stretched, bio-based D12 78 core makes D2 Racing a high-strength, lightweight all-round performer. The core is color coded with the cover ensuring identification is assured even if the cover is stripped. Upgrade polyester halyards such as Double Braid or Marlowbraid with D2 Racing by choosing a smaller diameter and achieving weight savings and handling improvements with higher safety factors and far fewer rig adjustments when sailing.

Part No.	Dia. Inches	Dia. MM	Average Breaking Load Lbs.	Weight Lbs./100'
MARD2RM10	3/8"	10mm	11,816	3.98
MARD2RM11	7/16"	11mm	13,955	4.64
MARD2RM12	1/2"	12mm	15,300	6.24
MARD2RM14	9/16"	14mm	20,436	7.86

*Add Color Code: BK/GY (Black/Grey), BL/GY (Blue/Grey), R/GY (Red/GY), G/GY (Green/Grey), LM/GY (Lime/Grey), OR/GY (Orange/Grey)



Ultra-Lite



Designed specifically for light air spinnaker and jib sheets, control lines, and halyards. Ultra-Lite is constructed with a polypropylene cover and composite core of polypropylene and Dyneema®. It is lighter than 100% polyester double braids. Sailors will realize up to 26% weight savings with the same breaking strength and less stretch.

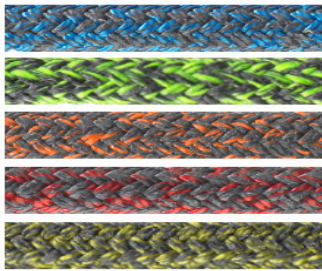
Part No.	Dia. Inches	Dia. MM	Average Strength/Lbs.	Weight Lbs./100'
SAUL06*	3/16"	5mm	1,200	0.9
SAUL08*	1/4"	6mm	2,200	1.9
SAUL10*	5/16"	8mm	2,900	2.5
SAUL12*	3/8"	10mm	4,400	3.2

*Add Color Code: G (Green), BK (Black), R (Red), BL (Blue)





Poly Tec



Poly Tec uses the same high-strength low-weight Dyneema® core as Endura Braid while adding an extra durable cover made from a blend of Technora and Polyester fibers. Poly Tec offers excellent abrasion and cut resistance, heat dissipation, and a level of grip that other high performance ropes don't offer. Use for applications that require a low stretch, low creep, and extra-grippy line such as halyards, sheets and control lines.

Part No.	Dia. Inches	Dia. MM	Tensile Lbs.	Weight Lbs./100'
NEPT75M06	1/4"	6	5,590	3.0
NEPT75M08	5/16"	8	8,840	4.4
NEPT75M10	3/8"	10	13,100	5.4

*Add Color Code: BL (Blue), O (Orange), R (Red), G (Green), Y (Yellow)



MGP Furler Line



MGP Furler 50 from Marlow is a structural cover over a nonstructural core. The cover is made from a Vectran / Technora cover giving it superior heat and abrasion resistance. The snakeskin pattern allows for easy end-to-end splicing with no diameter increase.

Part No.	Dia. Inches	Dia. MM	Tensile Lbs.	Weight Lbs./100'
MARMGPM06BK	1/4"	6mm		
MARMGPM08BK	5/16"	8mm		
MARMGPM10BK	3/8"	10mm		



Use for continuous furling systems.

HSR-75

12 Strand Single Braid Heat-Set Dyneema SK785



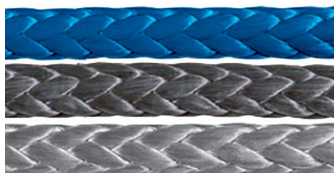
Comprised of Dynema® Fiber, Stronger Than Steel® HSR is heat-set which at a microscopic level reorients the molecular chains in a minear fashion, thus ensuring greater load bearing capacity throughout the rope. This process increases the ropes breaking strength through the use of increased temperature and tension and achieves a uniform fiber distribution.

Part No.	Dia. Inches	Dia. MM	Average Strength/Lbs.	Weight Lbs./100'
NESTS-HSRM03	1/8"	3mm	5,200	0.6
NESTS-HSRM05	3/16"	5mm	9,475	1.3
NESTS-HSRM06	1/4"	6mm	12,385	1.7
NESTS-HSRM07	9/32"	7mm	18,700	2.5
NESTS-HSRM08	5/16"	8mm	23,600	3.3
NESTS-HSRM09		9mm	25,300	4.5
NESTS-HSRM11	7/16"	11mm	31,530	5.1
NESTS-HSRM12	1/2"	12mm	43,675	6.80

*Only available in silver



Amsteel Blue



AmSteel®Blue - is a torque-free, 12-strand single braid that yields the maximum in strength-to-weight ratio and, size-for-size, is the same strength as steel, yet it floats. An excellent wire rope replacement with extremely low stretch and superior flex fatigue and wear resistance. It is specially designed for improved service life in applications where creep results from long-term static loads.

Part No.	Dia. Inches	Dia. MM	Tensile Lbs.	Weight Lbs./100'
SAAS78764*	7/64"	2.5mm	1,600	0.30
SAAS7804*	1/8"	3mm	2,500	0.50
SAAS7805*	5/32"	4mm	4,000	0.75
SAAS7806*	3/16"	5mm	5,400	0.75
SAAS7808*	1/4"	6mm	8,600	1.00
SAAS7810*	5/16"	8mm	13,700	1.60
SAAS7812*	3/8"	9mm	19,600	2.70
SAAS7814*	7/16"	11mm	23,900	4.50
SAAS7816*	1/2"	12mm	34,000	5.90
SAAS7820*	5/8"	16mm	52,800	10.20

*Add Color Code: BK (Black), BL (Blue), GY (Gray)



Dyneema Chafe Sleeve



The Dyneema cover is a replacement cover/chafe sleeve for use with high tech cores or twelve strands (Endua-12, V-12 or PBO). It is very tough and abrasion resistant and easily tapered for halyard ends. Excels in areas where the line should slide, like halyard exits.

Part No.	Dia. MM	Weight Lbs./100'
NEDCS-M8BK	5-8 mm core	N/A
NEDCS-M11.5BK	8.5-11 mm core	N/A
NEDCS-M16BK	12-16 mm core	N/A
NEDCS-M20BK	16-20 mm core	N/A

Use for sheets, halyards, guys, and strops.





Rope for Performance Cruisers

Sta-Set™



Sta-Set™ is the #1 polyester double braid in America and is a strong, flexible, and long wearing line. Sta-Set™ has high strength, low stretch, and is extremely durable, yet remains soft over time. A true multi-purpose line used for sheets, halyards and control lines on a wide variety of boats.

Solid colors have white fleck, as shown on left.

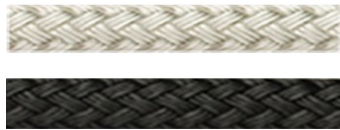
Part No.	Dia. Inches	Dia. MM	Tensile Lbs.	Weight Lbs./100'
NESS06*	3/16"	5mm	1,400	1.1
NESS08*	1/4"	6mm	2,350	2.0
NESS10*	5/16"	8mm	3,850	3.1
NESS12*	3/8"	10mm	5,100	4.3
NESS14*	7/16"	11mm	7,000	6.0
NESS16*	1/2"	12mm	10,100	7.8
NESS18*	9/16"	14mm	11,700	10.1
NESS20*	5/8"	16mm	16,900	11.9
NESS24**	3/4"	18mm	23,500	17.0

*Add Color Code: W (White), BLF (Blue Fleck), GF (Green Fleck), RF (Red Fleck), BL (Blue), G (Green), R (Red), BK (Black), BK-NT (Black, w/No Tracer)

**Available in white only.



Buccaneer Double Braid Polyester



Buccaneer Double Braid Polyester is made with 100% low stretch polyester fiber. An economical choice for use as a control line, davit line, halyard, jib sheet, mainsheet, or morrying pendant. Can also be used for tower work, stage rigging, amusement park rigging, a general multipurpose utility line. Available in black or white.

Part No.	Dia. Inches	Dia. MM	Tensile Lbs.	Weight Lbs./100'
BUCDBP08*	1/4"	6mm	2,100	1.9
BUCDBP10*	5/16"	8mm	3,000	3.1
BUCDBP12*	3/8"	10mm	4,200	4.4
BUCDBP14*	7/16"	11mm	5,700	6.1
BUCDBP16*	1/2"	12mm	7,500	8.0
BUCDBP18*	9/16"	14mm	10,800	10.1
BUCDBP20*	5/8"	16mm	13,800	12.6



Regatta Braid™



Flexible and easy to handle. A 12-strand single braid made of spun and filament polyester. A soft and supple, easy-to-handle line that runs freely and does not kink. Ideal for mainsheets and furling lines on cruisers and club racers. White with red tracer only.

Part No.	Dia. Inches	Dia. MM	Tensile Lbs.	Weight Lbs./100'
NEREG08.....	1/4"	6mm	2,550	2.2
NEREG10.....	5/16"	8mm	3,300	3.0
NEREG12.....	3/8"	10mm	4,800	4.0
NEREG14.....	7/16"	11mm	6,500	6.3
NEREG16.....	1/2"	12mm	8,000	7.0
NEREG20.....	5/8"	16mm	12,400	10.3



D2 Club



D2 Club has been developed to provide an upgrade to polyester sheets and halyards offering the benefit of reduced weight and reduced elongation thanks to the light weight Dyneema® SK75 blended core. Lightweight, easy to splice, and excellent UV resistance. Good abrasion resistance and clutch / jammer performance.

Part No.	Dia. Inches	Dia. MM	Average Breaking Load Lbs.	Weight Lbs./100'
MARD2CM10*	3/8"	10mm	8,421	4.32
MARD2CM11*	7/16"	11mm	9,347	5.06
MARD2CM12*	1/2"	12mm	10,560	5.81
MARD2CM14*	9/16"	14mm	14,043	7.53

*Add Color Code: WH (White), BK (Black) BL (Blue), G (Green), RD (Red)





Regatta Lite™



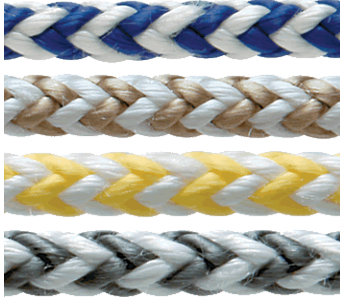
A 12-strand, single braid, multi-filament polypropylene line. Extremely lightweight (wet or dry). Does not kink and is easy to handle.

Use for mainsheets and control lines on dinghies / small keel boats.

Part No.	Dia. Inches	Dia. MM	Tensile Lbs.	Weight Lbs./100'
NEREGL08P	1/4"	6mm	1,050	1.3
NEREGL10P	5/16"	8mm	2,560	2.2
NEREGL12P	3/8"	10mm	3,200	2.9



Bzzz Line™



Single braid construction makes Bzzz™ line kink-free, while the combination of spun polyester and multi-filament polypropylene make it soft, easy to grip, and lightweight.

Perfect mainsheet for Lightenings, Lasers, Optimists, and Stars. Works well on larger boats as control lines and mainsheet finetunes.

Part No.	Dia. Inches	Dia. MM	Tensile Lbs.	Weight Lbs./100'
NEBZ09*	9/32"	7mm	1,730	1.9
NEBZ10*	5/16"	8mm	3,000	2.5

*Add Color Code: BL (Blue), GD (Gold), GY (Grey), Y (Yellow)



Finish Line™



The strongest pre-stretch line on the market, Finish Line is made from high-tenacity tension-set polyester with an 8-strand "nubby" cover and continuous filament core. It is excellent as a dinghy control line; has a strong, durable cover, yet is comfortable on the hand, flexible, and easy to knot.

Use for dinghy outhauls, vang systems, cunninghams, hiking strap lines, centerboard lines, topping lifts, and halyards.

Part No.	Dia. Inches	Dia. MM	Tensile Lbs.	Weight Lbs./100'
NEFL05*	5/32"	4mm	920	0.8
NEFL06*	3/16"	5mm	1,550	1.3
NEFL08*	1/4"	6mm	2,100	1.7

*Add Color Code: GY (Grey), R (Red), W (White)



Spyderline™



Excellent for lightweight control line, and for all small diameter, high load applications. Spyder Line is constructed with a Dyneema® SK-75 core and a smooth, twill pattern polyester cover. Flexible, yet firm enough to be fed through small leads, micro blocks, and purchase systems.

Use for dinghy and small one design cunninghams, traveler lines, vang systems, trapeze lines, outhauls, topping lifts, halyards, and twings.

Part No.	Dia. Inches	Dia. MM	Tensile Lbs.	Weight Lbs./100'
NESL02*	1/16"	2mm	350	0.2
NESL04*	1/8"	3mm	1,250	0.5
NESL05*	5/32"	4mm	1,860	0.9
NESL06*	3/16"	5mm	3,000	1.4

*Add Color Code: BK (Black), LM (Lime), MG (Mango), P (Purple), R (Red)



Salsa Line™



A high-tech version of classic Regatta Braid. Exceptionally strong yet soft single braid, constructed with a blend of Dyneema® SK-75 plus spun and filament polyester. Salsa Line is easy to grip and has proven to be a great kink-free sheet for larger dinghies and keelboats.

Perfect for boats that require high tensile, such as J24s, Sonars, Finns, and larger performance boats. Use for Mainsheets, genoa sheets, and traveler line.

Part No.	Dia. Inches	Dia. MM	Tensile Lbs.	Weight Lbs./100'
NESAL08*	1/4"	6mm	2,850	1.8
NESAL10*	5/16"	8mm	4,000	3.0
NESAL12*	3/8"	10mm	5,000	3.5

*Add Color Code: G (Green), GY (Grey), R (Red)



Dinghy Tow Rope



Dinghy Tow Rope is a durable colored and spliceable tow line that floats on the surface for the water for improved visibility.

Part No.	Dia. Inches	Dia. MM	Tensile Lbs.	Weight Lbs./100'
NETOW14RF	7/16"	11mm	5,050	5.3





Rope for Anchor & Docking

Premium 3-Strand Nylon

Premium 3-strand filament nylon. Highest strength and elongation. Ideal for uses requiring high energy absorption.



The combination of premium-grade nylon, four-stage construction, and a special marine coating results in improved handling, greater chafe resistance, minimal hardening and longer life. Good UV resistance.

Part No.	Dia. Inches	Dia. MM	Tensile Lbs.	Weight Lbs./100'
NEN308*	1/4"	6mm	2,100	1.6
NEN310*	5/16"	8mm	3,000	2.4
NEN312*	3/8"	10mm	4,250	3.5
NEN314*	7/16"	11mm	6,000	4.6
NEN316*	1/2"	12mm	7,500	6.3
NEN318*	9/16"	14mm	8,800	8.0
NEN320*	5/8"	16mm	11,650	9.6
NEN324*	3/4"	18mm	17,150	13.7
NEN328*	7/8"	22mm	22,300	18.0
NEN332*	1"	25mm	27,700	24.3

*Add Color Code: W (White), B (Black)



Double Braid Nylon



Double Braid Nylon - Nylon Cover/Nylon Core. Conforms to MIL-R-24050 B&C. High grade marine nylon with special torque-balanced construction.

Elastic double braid construction has excellent energy absorbing characteristics. Controlled elongation and excellent abrasion resistance, wet or dry. Minimal strength loss due to UV.

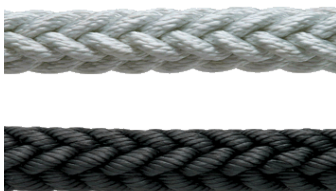
Part No.	Dia. Inches	Dia. MM	Tensile Lbs.	Weight Lbs./100'
NENB12*	3/8"	9mm	4,900	3.6
NENB16*	1/2"	12mm	8,500	6.3
NENB20*	5/8"	16mm	13,500	10.0
NENB24*	3/4"	18mm	19,400	14.3
NENB28*	7/8"	22mm	26,300	19.4
NENB32*	1"	25mm	34,000	25.4
NENB40*	1-1/4"	30mm	52,000	40.0

*Add Color Code: W (White), BK (Black), BL (Blue)

**Other colors available for Special Order



Mega Braid™



Mega Braid's unique 12-strand, single braid construction offers a combination of good looks, ease of handling, strength, and controlled elongation. Ideal for dock and anchor lines for yachts over 40'.

Part No.	Dia. Inches	Dia. MM	Tensile Lbs.	Weight Lbs./100'	List Pricing
NEMB20*	5/8"	16mm	10,300	10.4	
NEMB24*	3/4"	18mm	13,400	15.0	
NEMB28*	7/8"	22mm	21,100	19.3	
NEMB32*	1"	25mm	24,900	23.0	
NEMB36*	1-1/8"	28mm	34,900	31.0	
NEMB40*	1-1/4"	30mm	41,000	36.0	
NEMB48*	1-1/2"	36mm	48,000	55.5	

*Add Color Code: W (White), B (Black)



Mega Braid II™



Each of Mega Braid II's 12 strands are individually braided resulting in a firm yet flexible rope that resists snags and chafing. Excellent abrasion resistance and easy to coil. Ideal for anchor and dock lines for boats over 45'.

Part No.	Dia. Inches	Dia. MM	Tensile Lbs.	Weight Lbs./100'	List Pricing
NEMBII16*	1/2"	12mm	6,500	6.2	
NEMBII18*	9/16"	14mm	8,500	7.3	
NEMBII20*	5/8"	16mm	10,000	9.8	

*Add Color Code: W (White), B (Black)



Mega Plait™



Mega Plait strikes a balance between a supple, firm, and easy handling line that can be used in mechanical windlasses without abrading or fraying. It features a 8-plait tandem braid design for a "cube" shaped rope that works well in powered windlasses. White only.

Part No.	Dia. Inches	Dia. MM	Tensile Lbs.	Weight Lbs./100'
NEMP16W	1/2"	12mm	7,500	6.0
NEMP18W	9/16"	14mm	9,500	8.0
NEMP20W	5/8"	16mm	10,000	10.4



Note

Rope diameters can vary depending on the type of rope and the manufacturer. Diameters, tensile or average strength, and weights are supplied by the manufacturers. For full details and specifications on a particular rope, please see the manufacturer's website. Spool lengths and pre-cut lengths are subject to 5% tolerance.



Classic™ Polyester

3-Strand Filament Polyester. Traditional low stretch running rigging. A continuous filament three strand polyester rope. Excellent abrasion resistance with low stretch and high strength. Used for halyards and control lines on dinghies and traditional boats. Easy to splice.



Part No.	Dia. Inches	Dia. MM	Tensile Lbs.	Weight Lbs./100'
NEPE3F06	3/16"	5mm	1,090	1.1
NEPE3F08	1/4"	6mm	2,150	2.0
NEPE3F10	5/16"	8mm	2,650	2.9
NEPE3F12	3/8"	10mm	4,400	4.8
NEPE3F14	7/16"	11mm	5,700	5.9
NEPE3F16	1/2"	12mm	7,500	7.9



Spun Classic™ Polyester

3-Strand Spun Polyester. For a Traditional Look and Feel. A conventional three strand spun polyester rope. A soft (fuzzy), free running rope that resists jamming and kinking. Used on classic boats and dinghies for halyards, sheets and control lines. Also used as sailmakers' bolt rope.



Part No.	Dia. Inches	Dia. MM	Tensile Lbs.	Weight Lbs./100'
NEPE3S06	3/16"	5mm	1,200	1.4
NEPE3S08	1/4"	6mm	1,330	1.9
NEPE3S10	5/16"	8mm	2,000	2.7
NEPE3S12	3/8"	10mm	2,650	3.6
NEPE3S14	7/16"	11mm	3,250	4.8
NEPE3S16	1/2"	12mm	4,700	6



Lash It™



Small diameter Dyneema® line for general purposes. Lash It™ is light weight, low stretch and extremely durable. Color: Grey. Sold by the spool only.

Part No.	Dia. Inches	Dia. MM	Avg Strength	Spool Length/Ft.
SALASH02-180	1/16"	1.75mm	500 lbs	180'
SALASH02-600	1/16"	1.75mm	500 lbs	600'
SALASH03-180	3/32"	2.2mm	650 lbs	180'
SALASH03-600	3/32"	2.2mm	650 lbs	600'



T-100™



T-100™ is made with a 100% Technora® fiber core and a braided polyester cover. Very low stretch. Perfect for light-air spinnaker sheets, tie-downs, and leech lines.

Part No.	Dia. Inches	Dia. MM	Tensile Lbs.	Spool Length/Ft.
NET10003	3/32"	2mm	950	1,500
NET10004	1/8"	3mm	1,280	1,200
NET10005	5/32"	4mm	2,300	900



Braided Polyester Cord



New England Rope's braided polyester cord is the perfect all-purpose cord. Made with a continuous filament polyester core covered in a polyester jacket. For general purpose use, such as flag halyards and tie-downs.

Part No.	Dia. Inches	Dia. MM	Tensile Lbs.	Spool Length/Ft.
NEDAC03	3/32"	2mm	350	2,100
NEDAC04	1/8"	3mm	530	2,100
NEDAC05	5/32"	4mm	730	1,200
NEDAC06	3/16"	5mm	1,000	1,000
NEHANK04	1/8"	3mm	530	50' Hank
NEHANK05	5/32"	4mm	730	50' Hank
NEHANK06	3/16"	5mm	1,000	50' Hank

*Add Color Code : W (White), BK (Black)



Messenger Line

Inexpensive single braid polyester line used for halyard messengers.

Part No.	Dia. Inches	Dia. MM	Spool Length (Ft.)
NEMSGR03*	3/32"	2mm	3,000

*Add Color Code: BK (Black), BL (Blue), GR (Green), R (Red)

Shock Cord



Filament rubber strands covered with a tight black polyester cover with excellent stretch and recover for long term use. Resistant to cracks, splits and breakage.

Part No.	Dia. Inches	Dia. MM	Spool Length (Ft.)
SHP04BK-SE	1/8"	3mm	100
SHP06BK-SE	3/16"	5mm	100
SHP08BK-SE	1/4"	6mm	100
SHP10BK-SE	5/16"	8mm	100
SHP12BK-SE	3/8"	10mm	100



HARKEN®

Furling Systems at Sailing Services

MKIV Reefable Furling Systems

Harken MKIV furling systems are built for longevity, ease of use and simplicity of installation. They are strong, light weight, and aerodynamic. Featuring a twin-groove foil and smooth feeder for fast hoists, douses, and sail changes. The large diameter drum provides increased mechanical advantage and can be easily removed for use with racing sails, providing the longest possible luff length. The free spinning halyard and independent tack swivels provide superior sail shape while reefed. High strength foil joints can be installed without cutting the headstay. The line guard, torque tube and swivels are deep-saturation hardcoat-anodized, and UV stabilized for durability. Furling line included with Units 0, 1, & 2. *New for 2021 - MKIV furlers come standard with black anodized foils.*



NEW MKIV OCEAN Reefable Furling Systems

The MKIV Ocean offers many of the same features as the MKIV but is specifically configured for the cruising sailor. It is engineered with strength, longevity, ease of use, and at the right price; without extra features cruisers might not need. The clear-anodized foils are round and precision-extruded with a single luff groove for smooth sail handling. C-shaped open foil connectors are easily installed without cutting the headstay. Like the MKIV, the line guard, torque tube, and halyard swivel are deep-saturation hardcoat-anodized, and UV stabilized for durability. The aluminum drum, fixed tack and simplified halyard swivel provide a more economical system without sacrificing strength. Furling line included with Units 0, 1, & 2.



Unit	Part No.	Boat Length	Wire Dia.	System Length	Pin Diameter
Unit 0	H7410.10	22'-30'	3/16" - 7/32"	38'7"	5/16", 3/8", 7/16"
Unit 1	H7411.10	28'-36'	1/4" - 5/16"	45'11"	1/2", 5/8"
Unit 2	H7412.10	35'-46'	5/16" - 3/8"	60'4"	5/8", 3/4"
Unit 3	H7413.10	45'-60'	7/16" - 1/2"	74'8"	3/4", 7/8"

*Toggle Assembly Required - Sold Separately

Unit	Part No.	Boat Length	Wire Dia.	System Length	Pin Diameter
Unit 0	H7510.10	22'-30'	5/32" - 7/32"	38'7"	5/16", 3/8", 7/16"
Unit 1	H7511.10	28'-36'	1/4" - 5/16"	45'11"	1/2", 5/8"
Unit 2	H7512.10	35'-46'	5/16" - 3/8"	60'4"	5/8", 3/4"
Unit 3	H7513.10	45'-80'	7/16" - 5/8"	74'8"	3/4", 7/8", 1" 1 1/8"

*Toggle Assembly Required - Sold Separately

MKIV Furler Toggle Options

Unit	Toggle Part No.	Description	Pin Size
Unit 0	H7410.20 3/8	Eye/Jaw (reversible)	3/8"
Unit 0	H7410.20 5/16	Eye/Jaw (reversible)	5/16"
Unit 0	H7410.20 7/16	Eye/Jaw (reversible)	7/16"
Unit 1	H7411.20 1/2	Eye/Jaw (reversible)	1/2"
Unit 1	H7311.20 1/2	Jaw/Jaw	1/2"
Unit 1	H7311.20 5/8	Stud/Jaw	5/8"
Unit 1	H7311.21 1/2	Long Link Plate w/ Toggle	1/2"
Unit 1	H7311.21 5/8	Long Link Plate w/ Toggle	5/8"
Unit 2	H7412.20 5/8	Eye/Jaw (reversible)	5/8"
Unit 2	H7312.20 5/8	Jaw/Jaw	5/8"
Unit 2	H7312.20 3/4	Stud/Jaw	3/4"
Unit 2	H7312.21 5/8	Long Link Plate w/ Toggle	5/8"
Unit 2	H7312.21 3/4	Long Link Plate w/ Toggle	3/4"
Unit 3	H7413.20 3/4	Jaw/Jaw w/short link plate	5/8"
Unit 3	H7413.20 7/8	Jaw/Jaw w/short link plate	7/8"
Unit 3	H7313.21 3/4	Long Link Plate w/ Toggle	3/4"
Unit 3	H7313.21 7/8	Long Link Plate w/ Toggle	7/8"

MKIV Ocean Furler Toggle Options

Unit	Toggle Part No.	Description	Pin Size
Unit 0	H7410.20 5/16	Eye/Jaw (reversible)	5/16"
Unit 0	H7410.20 3/8	Eye/Jaw (reversible)	3/8"
Unit 0	H7410.20 7/16	Eye/Jaw (reversible)	7/16"
Unit 1	H7411.20 1/2	Eye/Jaw (reversible)	1/2"
Unit 1	H7311.20 1/2	Jaw/Jaw	1/2"
Unit 1	H7311.20 5/8	Stud/Jaw	5/8"
Unit 1	H7311.21 1/2	Long Link Plate w/ Toggle	1/2"
Unit 1	H7311.21 5/8	Long Link Plate w/ Toggle	5/8"
Unit 2	H7412.20 5/8	Eye/Jaw (reversible)	5/8"
Unit 2	H7312.20 5/8	Jaw/Jaw	5/8"
Unit 2	H7312.20 3/4	Stud/Jaw	3/4"
Unit 2	H7312.21 5/8	Long Link Plate w/ Toggle	5/8"
Unit 2	H7312.21 3/4	Long Link Plate w/ Toggle	3/4"
Unit 3	H7413.20 3/4	Jaw/Jaw	3/4"
Unit 3	H7413.20 7/8	Jaw/Jaw	4/8"
Unit 3	H7513.20 1	Jaw/Jaw	1"
Unit 3	H7513.20 1 1/8	Jaw/Jaw	1 1/8"
Unit 3	H7313.21 3/4	Long Link Plate w/ Toggle	3/4"
Unit 3	H7313.21 7/8	Long Link Plate w/ Toggle	7/8"
Unit 3	H751321 1	Long Link Plate w/ Toggle	1"
Unit 3	H7513.21 1 1/8	Long Link Plate w/ Toggle	1 1/8"



MKIV



MKIV OCEAN



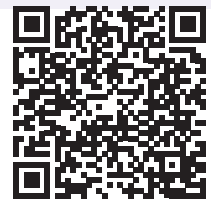
MKIV



MKIV Ocean



MKIV Ocean



Scan to Order Online
www.SailingServices.com



SCHAEFER LEGENDARY STRENGTH

Schaefer SnapFurl

Ideal reefing and furling solution for trailerable boats up to 28'. Single luff groove.

Part No. _____
SCHCF-500
Boat Size: 16' - 24'; Wire Dia.: 1/8", 5/32", 3/16";
Pin Dia.: 1/4", 5/16", 3/8"; System Length: 31'1"

Part No. _____
SCHCF-700
Boat Size: 24' - 28'; Wire Dia.: 3/16", 7/32";
Pin Dia.: 3/8", 7/16"; System Length: 38'



Schaefer Reefable Furling Systems

CNC machined metal construction resists UV rays and abuse from anchor chains and poles mounted near the stemhead. Proven design that is strong, smooth, and reliable.

Installation requires cutting of headstay and installation of Sta-Lok eye, as well as appropriate Schaefer toggle. See Sta-Loks on pg 12, and toggle options below.

Part No.	Boat Size	Wire Dia.	Pin Dia.	System Length
SCH1100	27'-31'	3/16"-9/32"	3/8"-1/2"	43'
SCH2100	30'-42'	1/4"-3/8"	1/2"-5/8"	49' 3"
SCH3100	41'-55'	5/16"-1/2"	5/8"-7/8"	64' 71/2"

Schaefer Toggle Options

For Unit	Part No.	Description	Pin Size
1100	SCH46-030-01	Standard Toggle	3/8"
1100	SCH46-030-02	Standard Toggle	7/16"
1100	SCH46-030-03	Standard Toggle	1/2"
1100	SCH1100-24	Long Toggle	3/8"
1100	SCH1100-23	Long Toggle	7/16"
1100	SCH1100-22	Long Toggle	1/2"
2100	SCH46-016	Standard Toggle	1/2"
2100	SCH46-018	Standard Toggle	5/8"
2100	SCH2100-24	Long Toggle	1/2"
2100	SCH2100-22	Long Toggle	5/8"
3100	SCH46-022	Standard Toggle	5/8"
3100	SCH46-023	Standard Toggle	3/4"
3100	SCH46-041	Standard Toggle	7/8"
3100	SCH3100-22	Long Toggle	5/8"
3100	SCH3100-24	Long Toggle	3/4"
3100	SCH3100-28	Long Toggle	7/8"

Schaefer Free Furling Jib Furlers

Lightweight "Free Furling" swivels made from clear anodized aluminum with hi-load Torlon bearings. Sails furl and unfurl on their own luff wire and are easily removed for trailering. Comes with upper/lower swivels and furling line.

Part No.	Boat Size	Pin Dia.	SWL
SCH350-00	14'-19'	1/4"	850 lbs
SCH550-00	19'-25'	5/16"	1,800 lbs
SCH650-00	25'-31'	3/8"	3,400 lbs



Sailmakers Eyes

Free furling jib furlers usually utilize a wire headstay which is sewn or ziped inside the luff of the jib. The best way to terminate these headstays is to use sailmakers eye or furling loops as found on page 31 of our catalog.

Profurl Reefable Furling Systems



Profurl offers a wide range of manual furling systems for a wide range of boats and sailing conditions.

Profurl systems feature maintenance free sealed bearings and light but robust extrusions. 10 year worldwide limited warranty. Specify headstay pin diameter when ordering. Each ProFurl system is available with long link plates and/or integral turnbuckle cylinder for an additional cost. Call or visit our website for more details.



Part No.	Max Wire Dia.	Std. Length	Pin Diameter
PROC260	3/16"	26.2	N/A
PROC290	1/4"	32.8	5/16" - 5/8"
PROC320	9/32"	39.4	5/16" - 5/8"
PROC350	5/16"	45.9	3/8" - 1"
PROC420	3/8"	52.5	3/8" - 1"
PROC430	1/2"	59.1	3/8" - 1"
PROC480	9/16"	59.1	5/8" - 1-1/8"
PROC520	5/8"	65.6	5/8" - 1-1/8"
PROC530	3/4"	72.2	5/8" - 1-1/8"
PROR250	1/4"	26.2	5/16" - 5/8"
PROR350	5/16"	39.4	5/16" - 5/8"
PROR420	3/8"	45.9	3/8" - 1"
PROR430	7/16"	52.5	3/8" - 1"

New Headstays

When putting a new furler on a boat, it's a good idea to install a new headstay at the same time. After a furler is installed, inspecting the headstay underneath is almost impossible. So start with a new headstay for maximum life expectancy under the furler. When ordering furling, ask us for a quote on a new headstay too.

Furling Accessories

Furling Line Leads

Part No.	Description	Max Line	Stanchion Dia.
SCH78-53	Bullseye	3/8"	1"
SPWL/1	Bullseye	1/2"	1"
J40-502	Bullseye	3/8"	7/8", 1"
SCH300-34	Lead Block	1/2"	1"
SPWL/2	Lead Block	1/2"	1"
H7405	Dbl. Lead Block	3/8"	1"
H7401	Lead Block	3/8"	1"
SCH506-44	Outside Lead	1/2"	1"
SCH706-44	Outside Lead	5/8"	1-1/4"
H7403	Outside Lead	3/8"	1"
SCH300-35	Pulpit Lead	1/2"	1"
SCH500-35	Pulpit Lead	1/2"	1", 1-1/4"
H7402	Ratchet Lead	3/8"	1"



Furling Lead Kits

Part No.	Description
H7404	Harken Lead Kit (does not include line)
SCH1100-19	Schaefer Lead Kit with 1/4" x 50' line
SCH2100-19	Schaefer Lead Kit with 5/16" x 70' line
SCH3100-19	Schaefer Lead Kit with 3/8" x 90' line



Halyard Restrainers

Use Halyard Restrainers to correct the angle between halyard sheave and the furler swivel. Important to prevent halyard wrap.

Part No.	Max Line Dia.	SWL
SCH78-74	3/8"	750 Lbs
SCH78-75	5/8"	2,000 Lbs
H944	Use with Unit 0 and 1	
H945	Use with Unit 2 and 3	
SCH32-80	1/2"	2,000 Lbs





Free Flying Sail Furlers & Headstay Foils

◆ Free Flying Sail Furlers ◆

Harken Reflex® Furlers

Unlike the previous generation of free-flying sail furlers which often resulted in partial or uneven furling, the new Harken Reflex furler furls with speed and control. Quick-release modular T-fitting allows single drive unit to handle multiple sails. Reflex cable is more torsionally resistant to corkscrewing than the current breed of textile cable. Braided stainless steel wire filaments over braided polyester core transmit torque to head swivel through both tension and compression for faster furling (textile cable transmits through tension only). Smooth polymer cable jacket protects sails against abrasion.



Sold as a kit including furling drum w/swivel tack fitting, halyard swivel, Reflex® torsion cable and clamps.

Part No.	Unit	Included Cable Length
H7351.10.16M	1	53'
H7351.10.18M	1	60'
H7351.10.20M	1	66'
H7352.10.20M	2	66'
H7352.10.23M	2	75'
H7352.10.25M	2	82'
H7353.10.22M	3	72'
H7353.10.26M	3	85'



Size	Intended application	Typical Boat Length		Max Sail Area	
		m	ft	m ²	ft ²
Unit 1	Assymetric Spinnaker	7.5 - 11	25-36	112	1,200
	Code Zero	6.7 - 10	22-32	60	650
Unit 2	Assymetric Spinnaker	10 - 14	34 - 45	168	1,800
	Code Zero	9 - 12	30 - 40	84	900
Unit 3	Assymetric Spinnaker	13 - 17.7	44 - 58	223	2,400
	Code Zero	12 - 16.5	39 - 54	158	1,700

Harken Reflex® Accessories

Part No.	Description
H7351.21	Unit 1 D-shackle threaded adapter
H7352.21	Unit 2 D-shackle threaded adapter
H7353.21	Unit 3 D-shackle threaded adapter
H7351.22	Unit 1 2:1/soft attachment threaded adapter
H7352.22	Unit 2 2:1/soft attachment threaded adapter
H7353.22	Unit 3 3:1/ soft attachment threaded adapter
H7351.26	Unit 1 Reflex tack swivel terminal for extra sails
H7352.26	Unit 2 Reflex tack swivel terminal for extra sails
H7353.26	Unit 3 Reflex tack swivel terminal for extra sails
H7351.27	Unit 1 Code 0 terminal
H7352.27	Unit 2 Code 0 terminal
H7353.27	Unit 3 Code 0 terminal
H7351.28	Unit 1 Head swivel for extra sails
H7352.28	Unit 2 Head swivel for extra sails
H7353.28	Unit 3 Head swivel for extra sails
H7371	Unit 1 Reflex torsion cable for extra sails, 5/16" (per Ft)
H7372	Unit 2 Reflex torsion cable for extra sails, 3/8" (per Ft)
H7373	Unit 3 Reflex torsion cable for extra sails, 13mm (per Ft)
H7357	Unit 1 Cable clamp (set of 2) for extra sails
H7358	Unit 2 Cable clamp (set of 2) for extra sails
H7367	Unit 3 Cable clamp (set of 2) for extra sails
H7356	Fairlead kit includes 2 fairleads, fairlead with cleat and aft block

Facnor FX+ Furlers

Facnor FX+ furlers fare strong and lightweight. The drum machined from a single block of aluminum and the hou is made from carbon composite. Purchase anti-torsion i and thimbles separately. FAST Tack Swivel must be purchased separately for top-down furling.



FX+ Furlers for Code 0 & Gennakers

Part No.	Boat	Sail Area	SWL
FAC-FX900+	20'-30'	322 sq'	900 lbs
FAC-FX1500+	30'-40'	590 sq'	1,500 lbs
FAC-FX2500+	40'-45'	968 sq'	2,500 lbs
FAC-FX4500+	42'-55'	1,500 sq'	4,500 lbs
FAC-FX7000+	55'-70'	2,690 sq'	7,000 lbs

FX+ FAST Tack Swivel for Assymetrical Spinnakers

Part No.	Boat	Sail Area
FAC2744	38'-46'	968 sq'
FAC2745	42'-52'	1,829 sq'
FAC2746	52'-65'	2,906 sq'

◆ Headstay Foils ◆

Tuff Luff from Schaefer Marine

The classic TuffLuff design features a clean and uncomplicated system engineered from the highest quality materials with no moving parts. Complete kit includes extrusion, feeder, and prefeeder.



Complete Kit	Max Headstay	Max Wire	Max Rod	Luff Tape
SCH1205	36-40'	1/4"	-10	#5 (4mm)
SCH1205	46-50'	1/4"	-10	#5 (4mm)
SCH1706	46-50'	5/16"	-17	#6 (5mm)
SCH1706	59-63'	5/16"	-17	#6 (5mm)
SCH2206	59-63'	3/8"	-22	#6 (5mm)
SCH2206	72-76'	3/8"	-22	#6 (5mm)
SCH3007	80-86'	7/16"	-30	#7 (6mm)
SCH4807	95-101'	9/16"	-48	#7 (6mm)
SCH6008	110-116'	5/8"	-60	#8 (7mm)
SCH7608	130-136'	5/8"	-76	#8 (7mm)
SCH76-30	Replacement Prefeeder			

Replacement parts for TuffLuff such as Feeders, Top Caps, and Spacer Tubers are also available. Please contact us for more information.

Harken Carbo Racing Foil



Low-friction twin headsail grooves are ultra smooth for exceptionally easy hoists, douses, and sail changes. Replacement foils also available.



Part No.	Max Wire	Max Rod	Max Headstay	Luff Tape Size
H7000.9M	1/4"	-10	33'6"	#5
H7000.12M	1/4"	-10	43'4"	#5
H7000.15M	1/4"	-10	53'2"	#5
H7001.12M	5/16"	-17	43'4"	#6
H7001.16M	5/16"	-17	56'5"	#6
H7001.20M	5/16"	-17	69'6"	#6
H7002.16M	3/8"	-25	56'6"	#6
H7002.20M	3/8"	-25	69'7"	#6
H7002.24M	3/8"	-25	82'9"	#6
H7003.24M	7/16"	-30	82'9"	#6, #7
H7003.28M	7/16"	-30	95'9"	#6, #7
H7006	Replacement Prefeeder			
H7000.30	Unit 0 Chafe Guard			
H7001.30	Unit 1 Chafe Guard			
H7002.30	Unit 2 Chafe Guard			



Harken Battcar Systems

Harken Battcar Systems helps to raise, douse, and reef with ease. Less expensive than most boom furlers without the need for a custom made new sail.

System	Monohull		Multihull	
	Boat Size	Max Sail Area	Boat Size	Max Sail Area
AA	up to 37'	350ft ²	up to 30'	275ft ²
A	37'-50'	600ft ²	30'-40'	500ft ²
B	50'-60'	900ft ²	40'-50'	700ft ²
C	60'-90'	1,940ft ²	50'-70'	1,510ft ²



Battcar Track

Part No.	System	Description	Fastening Method	Length
H3817	AA	Slug-Mount Track	Mounting Slugs	80-3/4"
H2707.2M	AA	Micro Track	Drilled Tap	80-3/4"
H3807	A	Slug-Mount Track	Mounting Slugs	80-3/4"
H2720.2.1M	A	Small Boat Track	Drilled Tap	80-3/4"
H3844	B	Slug-Mount Track	Mounting Slugs	81-1/8"
HR27.2M	B	Midrange Track	Drilled Tap	80-3/4"
H3853	C	Slug-Mount Track	Mounting Slugs	81-15/16"
HR32.2.1M	C	Big Boat Track	Drilled Tap	80-3/4"

Mounting Kits and Endstops

Flat Mast Groove Gap

Part No.	System	Description	Min.	Max.
H3818	AA	Round Mast Groove Mount Kit	n/a	n/a
H3819	AA	Flat Mast Groove Mount Kit	5/16"	7/16"
H3820	AA	Wide Flat Mast Groove Mount Kit	7/16"	1/2"
H3804	A	Round Mast Groove Mount Kit	n/a	n/a
H3805	A	Flat Mast Groove Mount Kit	5/16"	7/16"
H3806	A	Wide Flat Mast Groove Mount Kit	7/16"	5/8"
H3845	B	Mount Kit-Sys B CB Round	7/16"	5/8"
H3846	B	Flat Mast Groove	7/16"	5/8"
H3864	B	Flat Mast Groove (for Selden Mast C)	3/8"	7/16"



Head Board Car Assembly

Part No.	System	Description	MWL
H3813	AA	CB Headboard Car Assembly	440 lbs
H3811	A	Headboard Car Assembly	1,600 lbs
H3827	A	Headboard Car Assembly	1,600 lbs
H3852	B	Headboard Car Assembly	3,200 lbs
H3833	B	Headboard Car Assembly	3,200 lbs
H3867	C	Headboard Car Assembly	6,300 lbs

Intermediate Car

Part No.	System	Description	MWL
H3814	AA	Slider Intermediate Car	130 lbs
H3815	AA	CB Intermediate Car	130 lbs
H3812	A	Intermediate Car	600 lbs
H1777	A	Low-Load Intermediate Car	200 lbs
H3828	A	Intermediate Car	350 lbs
H3863	B	Intermediate Car	524 lbs
H3836	B	Intermediate Car	1,260 lbs
H3860	B	Reef Car	1,600 lbs
H3871	C	Intermediate Car	1,530 lbs
H3873	C	Reef Car	3,150 lbs

Battcar

Part No.	System	Description	MWL
H3816	AA	CB Battcar / 10mm Stud	220 lbs
H3829	A	Battcar / 10mm Stud	600 lbs
H3830	A	Battcar / 40mm Receptacle	600 lbs
H3831	A	Universal Battcar	600 lbs
H3802	A	Battcar / 10mm Stud	350 lbs
H3803	A	Battcar / 40mm Receptacle	350 lbs
H3856	B	Battcar / 10mm Stud	1,260 lbs
H3857	B	Battcar / 12mm Stud	1,260 lbs
H3879	B	Battcar / 14mm Stud	1,260 lbs
H3859	B	Universal Battcar	1,260 lbs
H3834	B	Battcar / 10mm Stud	1,260 lbs
H3835	B	Battcar / 12mm Stud	1,260 lbs
H3868	C	Battcar / 12mm Stud	2,100 lbs
H3869	C	Battcar / 14mm Stud	2,100 lbs
H3870	C	Battcar / 16mm Stud	2,100 lbs
H3872	C	Universal Battcar	2,100 lbs

Lazy Jack Kits



Part No.	Manufacturer	Boat Size	Boom Length
H252	Harken	21'-28'	7'-13'
SCH99-62	Schaefer	24'-29'	8'-10'
H253	Harken	27'-37'	10'6"-16'
SCH99-63	Schaefer	30'-36'	10'-12'
H254	Harken	35'-42'	12'-16'
SCH99-64	Schaefer	37'-48'	12'-16'

Furling Mainsail Outhaul Systems



Part No.	Description	Track	Max Work Load
H3076	CB Outhaul Car	32mm/BB	3,000 lbs
H1648	CB Outhaul Car	27mm/MR	2,300 lbs
H6061	Clew Block	N/A	3,000 lbs



Visit www.harken.com for more specs



Shackles

Stamped Shackles

Part No.	Breaking Load	Pin Size
H072	2,500	3/16"
H138	3,000	1/4"
H246	1,200	5/32"



Self-Locking "D" Shackles

Part No.	Breaking Load	Pin Size
W1201	1,550	5/32"
W1202	2,200	3/16"
W1203	3,525	1/4"
W1204	5,950	5/16"
W1205	9,500	13/32"
W1206	13,200	15/32"
W1207	17,600	9/16"
H2108	3,300	1/4"
H2115	6,080	5/16"
H2122	9,740	13/32"
H2126	14,240	1/2"



Self-Locking Long "D" Shackles

Part No.	Breaking Load	Pin Size
W1211	1,550	5/32"
W1212	2,200	3/16"
W1213	3,525	1/4"
W1214	5,950	5/16"
W1215	9,500	13/32"
H2104	2,380	3/16"
H2111	3,300	1/4"
H2118	6,080	5/16"



Self-Locking Twisted Shackles

Part No.	Breaking Load	Pin Size
W1222	2,450	3/16"
W1223	3,300	1/4"
W1224	6,600	5/16"
W1225	9,900	13/32"
H2105	2,380	3/16"
H2112	3,300	1/4"
H2119	6,080	5/16"
H2125	9,740	13/32"



Shallow Bow Shackles

Part No.	Breaking Load	Pin Size
H2131	1,620	5/32"
H2132	2,380	3/16"
H2124	9,740	13/32"



Self-Locking Large Opening Shackles

Part No.	Breaking Load	Pin Size
W1262	1,765	3/16"
W1263	3,300	1/4"
W1264	5,950	5/16"
W1265	8,900	13/32"
H2106	2,200	3/16"



Self-Locking Bow Shackles

Part No.	Breaking Load	Pin Size
W1241	1,550	5/32"
W1242	2,200	3/16"
W1243	3,300	1/4"
W1244	5,950	5/16"
W1245	9,480	13/32"
W1246	13,200	15/32"
W1247	24,250	5/8"
W1248	35,250	25/32"
H2103	2,380	3/16"
H2110	3,300	1/4"
H2117	6,080	5/16"
H2124	9,740	13/32"



Allen Head Pin "D" Shackles

Part No.	Breaking Load	Pin Size
W1303	3,500	1/4"
W1304	5,950	5/16"
W1305	9,500	13/32"
W1306	13,200	15/32"
W1363	3,300	1/4"



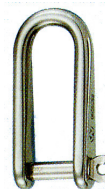
Allen Head Pin "Bow" Shackles

Part No.	Breaking Load	Pin Size
W1343	3,500	1/4"
W1344	5,950	5/16"
W1345	9,500	13/32"
W1346	13,200	15/32"



Tack Shackles

Part No.	Breaking Load	Pin Size
W1233	3,300	1/4"
W1234	5,100	5/16"



Captive Pin "D" Shackles

Part No.	Breaking Load	Pin Size
W1401	2,200	5/32"
W1402	3,300	3/16"
W1403	4,850	1/4"
W1404	8,000	5/16"
W1405	11,500	13/32"
W1406	15,400	15/32"



Captive Pin Twisted Shackles

Part No.	Breaking Load	Pin Size
W1422	3,310	3/16"
W1423	4,630	1/4"
W1424	8,160	5/16"
W1425	15,400	15/32"



Captive Pin Long Shackles

Part No.	Breaking Load	Pin Size
W1411	2,200	5/32"
W1412	3,300	3/16"
W1413	4,850	1/4"
W1414	8,000	5/16"
W1415	11,500	13/32"



Captive Pin Bow Shackles

Part No.	Breaking Load	Pin Size
W1441	2,200	5/32"
W1442	3,310	3/16"
W1443	4,630	1/4"
W1444	8,160	5/16"
W1445	11,465	13/32"



High-Resistance (HR) "D"

Part No.	Breaking Load	Pin Size
H2109	5,540	1/4"
H2116	10,260	5/16"
H2123	16,420	13/32"
H2127	24,000	1/2"



J-Locks

Part No.	Line Size	Working Load
TYLJ8	8-10mm	4,000
TYLJ12	10-12mm	6,000
TYLJ20	12-16mm	10,000
TYLJ30	14-20mm	15,000



Screw Pin Anchor Bow Shackles

Drop forged steel hot dipped galvanized

Part No.	Pin Size	WLL (In Tons)
SD147606	5/16"	1/2
SD147608	3/8"	3/4
SD147610	7/16"	1
SD147611	1/2"	1-1/2
SD147612	5/8"	2
SD147616	1.36"	3-1/4



Tylaska Dogbones

A dogbone is basically a short structural rod that can be attached to the end of a line and used like a button or toggle to make a connection to another line, grommet or deck fitting. We stock a range of sizes. Call for details.





Fixed Bail Snap Shackles

Part No.	Length	Working Load
W2470	1-3/8"	440 Lbs
W2471	2"	2,645 Lbs
W2472	2-3/4"	3,525 Lbs
RF6100	2-19/32"	2,200 Lbs
RF6200	3-11/32"	1,980 Lbs
RF6300	3-15/16"	4,410 Lbs



Small Bail Snap Shackles

Part No.	Length	Working Load
RF6110	2-23/32"	1,870 Lbs
W2473	2-3/4"	2,645 Lbs
W2475	3-1/2"	3,525 Lbs
RF6210	3-5/8"	3,530 Lbs
RF6310	4-11/32"	3,970 Lbs
W2477	4-3/4"	7,700 Lbs



Large Bail Snap Shackles

Part No.	Length	Working Load
RF6120	2-7/8"	3,310 Lbs
RF6220	3-31/32"	4,850 Lbs
W2373	3-1/8"	2,645 Lbs
W2375	4-1/8"	3,525 Lbs
RF6320	4-3/4"	5,950 Lbs
W2377	5-1/2"	7,750 Lbs



Tack Snap Shackles

Part No.	Length	Working Load
W2474	2-3/4"	2,200 Lbs
RF6130	2-27/32"	1,650 Lbs
RF6230	3-3/4"	2,430 Lbs
W2476	3-7/8"	3,525 Lbs
W2478	4-3/4"	6,650 Lbs



Quick Release Snap Shackles With Swivel Eye

Part No.	Length	Working Load
W2673	2-3/4"	2,425 Lbs
W2674	3-5/32"	3,525 Lbs
W2675	3-17/32"	4,400 Lbs
W2676	4-5/16"	6,600 Lbs
W2677	5-3/32"	8,800 Lbs
W2678	5-15/16"	14,330 Lbs



Quick Release With Large Bail

Part No.	Length	Working Load
W2773	3-1/4"	2,425 Lbs
W2774	3-1/2"	3,525 Lbs
W2775	4-5/16"	4,400 Lbs
W2776	4-3/4"	6,600 Lbs
W2777	5-11/16"	7,700 Lbs
W2778	6-1/4"	9,925 Lbs



Tylaska Small Bail

Part No.	Length	Working Load
TYLT5S	2-15/16"	2,500 Lbs
TYLT8S	3-7/16"	4,000 Lbs
TYLT12S	4"	6,000 Lbs
TYLT16S	4.74"	8,000 Lbs
TYLT20S	5"	10,000 Lbs
TYLT30S	6-3/8"	15,000 Lbs
TYLT50S	10"	25,000 Lbs



Tylaska Large Bail

Part No.	Length	Working Load
TYLT5L	3-5/16"	2,500
TYLT8L	3-5/8"	4,000
TYLT12L	4-1/2"	6,000
TYLT16L	5.41"	8,000
TYLT20L	5-9/16"	10,000
TYLT30L	7-3/16"	15,000
TYLT50L	12"	25,000



Tylaska Clevis Bail

Part No.	Length	Working Load
TYLT5CB	3-1/4"	2,500 Lbs
TYLT8CB	3-3/4"	4,000 Lbs
TYLT12CB	4-5/16"	6,000 Lbs
TYLT20CB	5-5/8"	10,000 Lbs
TYLT30CB	6-13/16"	15,000 Lbs
TYLT50CB	11"	25,000 Lbs



Wichard Thimble Snap Shackles

Part No.	Length	Working Load
W2493	3-3/4"	2,112 Lbs
W2495	4-5/16"	2,816 Lbs



Fids



These hi-tech fids are machined from solid aircraft 6061-T6 aluminum and knurled for a more secure grip. An indispensable tool for fast, safe release of lines under heavy load.

TYLFIDT5-T12	29.95
--------------	-------

Tylaska Spool Shackles

Part No.	Length	Working Load
TYLS2	0.673"	1,000 Lbs
TYLS3	0.926"	1,500 Lbs
TYLS5	1.062"	2,500 Lbs
TYLS8	1.313"	4,000 Lbs
TYLS12	1.562"	6,000 Lbs
TYLS20	1.99"	10,000 Lbs
TYLS30	2.938"	15,000 Lbs



Key Pin Shackles

Part No.	Pin Size	Breaking Load
W1432	3/16"	2,450 Lbs
W1433	1/4"	3,300 Lbs
W1434	5/16"	5,100 Lbs



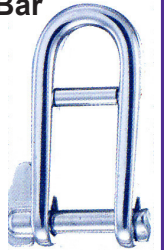
Ronstan Halyard Shackle

Part No.	Length	Breaking Load
RF1032	7/8"	2640
RF1033	1-1/4"	4620
RF1034	1-9/16"	5940



Key Pin Shackles with Bar

Part No.	Pin Size	Breaking Load
H2107	3/16"	2,380 Lbs
W81432	3/16"	2,645 Lbs
W81433	1/4"	3,745 Lbs
W81434	5/16"	5,500 Lbs
W91432	3/16"	3,300 Lbs
W91433	1/4"	4,840 Lbs
W91434	5/16"	7,040 Lbs



Wichard Thimble Shackles

Part No.	Length	Working Load
W1494	1-5/8"	2,750
W1495	2"	4,180



Schaefer Headboard Shackle

Part No.	Wire Size	Working Load
SCH93-80	3/16"	4,500



Tylaska Aluminum Halyard Shackles

2:1 Shackles include sheave in head for 2:1 Halyards.

Part No.	Length	Working Load
TYLH5	2.57	2,500 Lbs
TYLH5 2:1	2.57	2,500 Lbs
TYLH8	3.15	4,000 Lbs
TYLH8 2:1	3.15	4,000 Lbs
TYLH12	3.76	6,000 Lbs
TYLH12 2:1	3.76	6,000 Lbs
TYLH20	4.84	10,000 Lbs
TYLH20 2:1	4.84	10,000 Lbs



Tylaska Split Shackles

Part No.	Length	Working Load
TYLH8 2:1 S	3.31"	4,000 Lbs
TYLH12 2:1 S	4.08"	6,000 Lbs





Cabine Hooks, U-Bolts, Pad Eyes & Eyestraps

Carbine Hook - Standard

Working

Part No.	Stock Dia.	Length	Load
W2313	1/4"	2-3/8"	990
W2315	5/16"	3-5/32"	2,425
W2316	13/32"	4"	3,300
W2317	15/32"	4-5/8"	3,750



Carbine Hook - Asymmetric

Part No.	Stock Dia.	Length	SWL
W2323	1/4"	2-3/8"	1,100
W2325	5/16"	3-5/32"	2,650
W2326	13/32"	4"	3,630
W2327	15/32"	4-5/8"	3,970
W2328	15/32"	6-11/16"	3,970



Carbine Hook - Without Eye

Part No.	Stock Dia.	Length	SWL
W2333	1/4"	2-3/8"	990
W2335	5/16"	3-5/32"	2,425
W2336	13/32"	4"	3,300
W2337	15/32"	4-5/8"	3,750



Round Rings - Type 304 SS

Working

Part No.	Stock Dia.	Internal Dia.	Load
SD191207	1/8"	3/4"	162
SD191310	3/16"	1"	250
SD191312	3/16"	1-3/16"	250
SD191410	1/4"	1"	675
SD191415	1/4"	1-1/2"	675
SD191520	5/16"	2"	1,250
SD191620	3/8"	2"	1,550
SD191625	3/8"	2-1/2"	1,550



U-Bolts

Overall Center to Funct.

Part No.	Stock Dia.	Length	Center	Lbs.
W6511	5/32"	2"	1-5/16"	1,320
W6512	3/16"	2-3/8"	1-1/8"	1,765
W6513	1/4"	2-3/4"	1-1/4"	3,525
W6523	1/4"	3-1/2"	1-1/4"	3,525
W6514	5/16"	3-5/32"	1-13/32"	6,600
W6524	5/16"	3-15/16"	1-13/32"	6,600
W6515	13/32"	3-1/2"	1-9/16"	9,925
W6525	13/32"	4-11/32"	1-9/16"	9,925
W6516	15/32"	4-11/32"	1-3/4"	17,600
W6526	15/32"	5-1/8"	1-3/4"	17,600



U-Bolts

Overall Center to Funct.

Part No.	Stock Dia.	Length	Center	Lbs.
W65321	3/16"	2-3/8"	15/16"	1,760
W65331	1/4"	2-3/4"	1-1/4"	3,520
W65431	1/4"	3-1/2"	1-1/4"	3,520
W65341	5/16"	3-5/32"	1-13/32"	6,600
W65441	5/16"	3-15/16"	1-13/32"	6,600
W65351	11/32"	3-1/2"	1-9/16"	9,925
W65451	13/32"	4-11/32"	1-9/16"	9,925
W65361	15/32"	4-11/32"	1-3/4"	17,600
W65461	15/32"	5-1/8"	1-3/4"	17,600



Pad-Eyes - Stainless Steel Welded

Part No.	I.D.	Length	Width	SWL
SCH78-02	3/8"	1-7/8"	5/8"	250
SCH78-01	7/8"	3"	1"	2,500
SCH78-03	1/2"	2"	5/8"	650
SCH78-05	1/2"	2-1/4"	5/8"	750
SCH78-25	1"	4-1/4"	1-1/4"	3,000



Schaefer Pad Eyes, SS, Cast

Part No.	I.D.	Length	Width	SWL
SCH78-07	13/16"	2-1/2"	2-1/2"	4,000
SCH78-17	7/8"	3"	3"	8,500
SCH78-96	5/8"	4"	2-3/8"	4,400
SCH78-98	1/2"	3"	15/16"	2,200
SCH78-99	3/4"	4"	1-3/8"	3,500
SCH97-42	3/4"	3"	3"	4,000



Harken Pad Eyes, SS, Cast

Part No.	I.D.	Length	Width	MWL
H627	5/8"	2-1/4"	2-1/4"	4,300
H629	1-1/16"	3-3/4"	3-3/4"	12,000
H648	1-1/8"	3"	3"	8,500
H688	9/16"	3-1/8"	2"	3,800
H689	7/8"	3-7/8"	2-5/16"	7,800



Harken Folding Pad Eyes

Part No.	Length	Width	MWL
H3206	1-5/8"	1"	1,760
H3207	1-5/8"	1-7/8"	3,080



Wichard Folding Pad Eyes

Part No.	Length	Width	Working Load Lbs.
W6604	41mm	44mm	3,174
W6605	51mm	59mm	5,291
W6606	68mm	80mm	8,994
W6564	75mm	45mm	3,174
W6565	81mm	59mm	5,291
W6566	104mm	75mm	10,053



Harken Eyestraps

Part No.	I.D.	Length	Width	B.L.
H073	3/8"	1-11/16"	7/16"	1,600
H074	5/8"	3-1/4"	9/16"	4,000
H137	5/8"	2"	9/16"	3,000
H201	1/4"	1-7/8"	7/16"	1,600
H281	3/8"	1-7/16"	7/16"	1,000
H282	3/4"	2-13/16"	3/4"	3,000
H419	5/8"	2-1/2"	1/2"	1,600
H1558	7/16"	2-1/4"	1-1/8"	6,000
H2133	9/16"	1-3/16"	3/8"	2,500
H2134	5/8"	2-1/4"	1/2"	3,500



Schaefer Eyestraps

Part No.	I.D.	Length	Width	SWL
SCH78-65	9/32"	1-7/16"	1/4"	400
SCH78-31	7/16"	1-7/16"	5/16"	400
SCH78-32	1/2"	1-3/4"	5/16"	400
SCH78-67	5/8"	2-1/8"	1/2"	400
SCH78-34	5/8"	2-3/4"	1/2"	800
SCH78-68	5/8"	2-3/8"	5/8"	800
SCH78-38	11/16"	2-7/16"	5/8"	400
SCH78-37	1"	3-1/2"	5/16"	1,000
SCH78-33	9/16"	3-1/8"	3/8"	400



Ronstan Eyestraps

Part No.	I.D.	Length	Width
RF498	3/8"	1-1/16"	1/8"
RF528	1/2"	1-3/4"	1/4"
RF134	9/16"	1-1/4"	3/16"
RF1055	5/8"	1-3/4"	1/4"
RF1054	11/16"	2-3/8"	3/16"
RF94	1/4"	1-1/16"	3/8"
RF291	1/2"	1-1/4"	3/8"
RF148	9/16"	1-5/8"	1/2"



HARDWARE



Harken Radial® Winches



Aluminum Radial winches are lightweight, extremely strong winches with plenty of power. The drum's gripping surface is shaped for each winch size and drum material and features diagonal ribs (rather than textured abrasive materials) to maximize gripping power and greatly reduce line wear. When easing, the angle of the ribs will stop the line from rising, preventing overrides and providing a smooth controlled release as the line exits the winch. Aluminum drums, high-strength composite self-tailing jaws, and skirt save weight. Composite roller bearings.



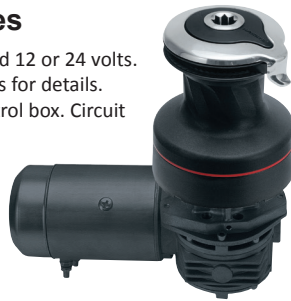
Radial Self-Tailing Winches

Part No.	Description	Base Dia.	Weight Lbs.	Line
H20STA	Sgl-Spd Alum	5-3/8"	5.3	1/4"-1/2"
H20STC	Sgl-Spd Chrome	5-3/8"	7.5	1/4"-1/2"
H35.2STA	2-Spd Alum	5-7/8"	7.9	5/16"-1/2"
H35.2STC	2-Spd Chrome	5-7/8"	10.6	5/16"-1/2"
H40.2STA	2-Spd Alum	6-3/16"	8.4	5/16"-1/2"
H40.2STC	2-Spd Chrome	6-3/16"	11.9	5/16"-1/2"
H46.2STA	2-Spd Alum	7-1/4"	11.5	5/16"-9/16"
H46.2STC	2-Spd Chrome	7-1/4"	17.2	5/16"-9/16"
H50.2STA	2-Spd Alum	7-5/8"	13.2	5/16"-9/16"
H50.2STC	2-Spd Chrome	7-5/8"	20.3	5/16"-9/16"
H60.2STA	2-Spd Alum	9-1/8"	22.5	5/16"-5/8"
H60.2STC	2-Spd Chrome	9-1/8"	30.7	5/16"-5/8"
H60.3STA	3-Spd Alum	9-1/8"	25.8	5/16"-5/8"
H60.3STC	3-Spd Chrome	9-1/8"	34.0	5/16"-5/8"
H70.2STA	3-Spd Alum	9-7/16"	24.9	3/8"-11/16"
H70.2STC	3-Spd Chrome	9-7/16"	33.3	3/8"-11/16"
H70.3STA	3-Spd Alum	9-7/16"	28.3	3/8"-11/16"
H70.3STC	3-Spd Chrome	9-7/16"	36.6	3/8"-11/16"

Harken Electric Radial® Winches

Specify Horizontal or Vertical motor orientation and 12 or 24 volts. Other sizes and configurations available. Contact us for details. Harken electric winches include dual-function control box. Circuit breaker and switches sold separately.

Part No.	Description
H40.2STEA	2 Speed, Aluminum
H40.2STEC	2 Speed, Chrome
H46.2STEA	2 Speed, Aluminum
H46.2STEC	2 Speed, Chrome
H50.2STEA	2 Speed, Aluminum
H50.2STEC	2 Speed, Chrome



Harken UniPower Radial® Winch

Unique winch with motor partially imbedded inside the drum so that motor extends only 4-1/8" below the winch base. Available in 12 or 24 volt. Includes dual function control box. Purchase switches separately. works with handle if power is unavailable.



Part No.	Description	Base Dia	Weight Lbs.	Line
H500UPWA	UniPower Alum	5-3/4"	15	5/16"-9/16"
H500UPWC	UniPower Chrome	5-3/4"	18	5/16"-9/16"
H900UPWA	UniPower Alum	7-1/2"	26.5	5/16"-9/16"
H900UPWC	UniPower Chrome	7-1/2"	32	5/16"-9/16"

Harken Performa™ Winches

Engineered for High-Tech Line, Harken Performa™ winches are for racers and racer/cruisers who don't want to invest in a carbon winch, or who need winches in smaller sizes. The Performa™ design combines the efficiency of Harken Radial winches with the sandblasted grip of its Carbon Fiber racing winch for a powerful hybrid. Performa winches transfer high loads to the winch with fewer wraps, allowing crew to trim and ease sails quickly and repeatedly as wind strength and directions change. Performa winches are available in sizes 40 to 60 to compliment Harken's Carbon Fiber product line.



Classic Plain Top

Part No.	Description	Base Dia.	Gear Ratio		Weight Lbs.
			1	2	
HB6A	Sgl-Spd Alum	3-9/16"	1		1.5
HB8A	Sgl-Spd Alum	4-1/2"	1		2.4

Performa™ Plain-Top Winches

Part No.	Description	Base Dia.	Gear Ratio		Weight Lbs.
			1	2	
H20.2PTP	Sgl-Spd Alum	5-3/8"	1	2.76	4.4
H35.2PTP	2-Spd Alum	5-7/8"	2.13	5.65	6.8
H40.2PTP	2-Spd Alum	6-3/16"	2.13	6.28	7.7
H46.2PTP	2-Spd Alum	7-1/4"	2.30	9.17	11.3
H50.2PTP	2-Spd Alum	7-11/16"	2.40	10.90	13.0

Performa™ Self-Tailing Winches

Part No.	Description	Base Dia.	Line	Weight Lbs.
H20STP	Sgl-Spd Alum	5-3/8"	1/4"-3/8"	5.3
H35.2STP	2-Spd Alum	5-7/8"	5/16"-1/2"	7.9
H40.2STP	2-Spd Alum	6-3/16"	5/16"-1/2"	8.4
H46.2STP	2-Spd Alum	7-1/4"	5/16"-9/16"	11.5
H50.2STP	2-Spd Alum	7-11/16"	5/16"-9/16"	13.2
H60.2STP	2-Spd Alum	9-5/16"	5/16"-5/8"	22.5
H60.3STP	2-Spd Alum	9-5/16"	5/16"-5/8"	25.8
H70.2STP	2-Spd Alum	9-7/16"	3/8"-5/8"	24.9
H70.3STP	2-Spd Alum	9-7/16"	3/8"-5/8"	28.3

Deck Switches

Part No.	Description
HBRS102/P	Remote Switch w/ Guard
HBRS102/S	Remote Switch w/ Guard and SS Cap
HBRS104/P	Quick Switch w/ Guard
HHCP2029	Rubber switch cover



Harken Digital System Switch

Harken Digital System Switches in dual and single-function models set the standard for the reliable operation of electrically-powered yacht systems. Covers rotate to expose activation buttons. Space saving design includes two buttons in one housing. Selecting OFF conceals the control functions and protects against accidental activation.



Part No.	Description
HDSDBK1-ND	Black, 1/2 Buttons (No Decoder)
HDSDBK2-ND	Black, Left/Right Buttons (No Decoder)
HDSDBK3-ND	Black, Up/Down Buttons (No Decoder)
HDSOSS1-ND	Stainless Steel, 1/2 Buttons (No Decoder)
HDSOSS2-ND	Stainless Steel, Left/Right Buttons (No Decoder)
HDSOSS3-ND	Stainless Steel, Up/Down Buttons (No Decoder)

Harken Winch Service Kits

Part No.	Description
HBK4512	Winch service kit includes 10 pawls and springs for Classic B6 - B90 winches and all Radial Winches
HBK4513	Winch grease, 100 mil tube
HBK4517	Lock-in handle repair kit -fits all Harken handles.
HBK4521	Pawl Oil for pawls and springs



HARKEN®

Harken Electric Winch Conversion Kits

*Vertical Mount Available To Order

Radial 35 Conversion Kits

Part No.	Voltage
HK35E12H.CONV	12 Volt
HK35E24H.CONV	24 Volt

Radial 40 Conversion Kits

Part No.	Voltage
HK40E12H.CONV	12 Volt
HK40E24H.CONV	24 Volt

Radial 46 Conversion Kits

Part No.	Voltage
HK46E12H.CONV	12 Volt
HK46E24H.CONV	24 Volt

Radial 50 Conversion Kits

Part No.	Voltage
HK50E12H.CONV	12 Volt
HK50E24H.CONV	24 Volt

Radial 60 Conversion Kits

Part No.	Voltage
HK60.2E12H.CONV	12 Volt
HK60.2E24H.CONV	24 Volt

Radial 70 Conversion Kits

Part No.	Voltage
HK70.2E12H.CONV	12 Volt
HK70.2E24H.CONV	12 Volt

Dual Function Control Box for Electric Winches

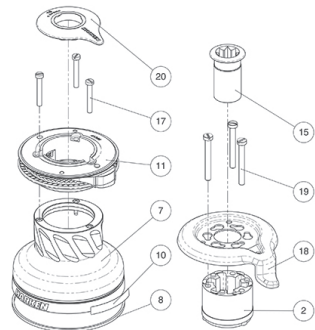
Part No.	Voltage
HDF-12	12 Volt
HDF-24	24 Volt



Scan the QR Code Below To Order Online!



Winch Parts Available Online



LEWMAR



Lewmar Ocean Winches

Lewmar offers a broad range of winches to fit any boat. They are powerful, easy to install, and feature a needle-peen drum for a better grip on your rope with less wear. Lewmar's self-tailing winches combine the gentle "wave-grip" feature with self-adjusting springs to handle today's smaller line diameters, as well as larger polyester ropes.

Lewmar Ocean Standard Winches

Part No.	Model No.	Description	Base Dia.	Weight Lbs.
LEW49006010	6	Sgl Speed Alum.	3-11/16"	1.10
LEW19006100	6	Sgl Speed Chrome	3-11/16"	2.40
LEW49007030	7	Sgl Speed Alum.	4-1/4"	1.80
LEW49007032	7	Sgl Speed Chrome	4-1/4"	3.70
LEW49008030	8	Sgl Speed Alum.	4-1/4"	3.10
LEW49008032	8	Sgl Speed Chrome	4-1/4"	5.10
LEW49016030	16	2-Speed Alum.	2-5/8"	4.60
LEW49016032	16	2-Speed Chrome	2-5/8"	7.00

Ocean Self-Tailing Winches

Part No.	Model No.	Description	Max - Min Rope	Base Dia.	Weight Lbs.
LEW49014000	14	Sgl Speed Alum.	1/4"-3/8"	4-3/4"	6.8
LEW49014001	14	Sgl Speed Chrome	1/4"-3/8"	4-3/4"	6.9
LEW49016000	16	Sgl Speed Alum.	5/16"-1/2"	2-9/16"	6.4
LEW49016001	16	Sgl Speed Chrome	5/16"-1/2"	2-9/16"	8.6
LEW49030000	30	2-Speed Alum.	5/16"-1/2"	2-15/16"	9.2
LEW49030001	30	2-Speed Chrome	5/16"-1/2"	2-15/16"	12.3
LEW49040055	40	2-Speed Alum.	5/16"-1/2"	2-15/16"	10.7
LEW49040056	40	2-Speed Chrome	5/16"-1/2"	2-15/16"	14.3
LEW49046055	46	2-Speed Alum.	5/16"-9/16"	3-7/16"	15.8
LEW49046056	46	2-Speed Chrome	5/16"-9/16"	3-7/16"	21.3
LEW49050000	50	2-Speed Alum.	5/16"-5/8"	4-1/8"	24.9
LEW49050001	50	2-Speed Chrome	5/16"-5/8"	4-1/8"	35.9
LEW49054000	54	2-Speed Alum.	5/16"-5/8"	4-1/8"	26.4
LEW49054001	54	2-Speed Chrome	5/16"-5/8"	4-1/8"	37.5

Lewmar Ocean Winch Electric Conversion Kit

The complete Ocean upgrade kit size 40-48 is supplied with the motor gearbox and E-series controller pre-mounted for fast and easy installation.

Part No.	Model No.	Description
LEW480403001	40	40ST 12V 'E' Conversion Kit
LEW480463001	46	46ST 12V 'E' Conversion Kit
LEW480483001	48	48ST 12V 'E' Conversion Kit
LEW48050300	50	50ST 12V 'E' Conversion Kit
LEW48054300	54	54ST 12V 'ELS' Conversion Kit
LEW48058300	58	58ST 12V 'ELS' Conversion Kit

Lewmar Service Kits

Part No.	Description
LEW19700100	Spares Kit. Kit contains: 4 circlips, 4 pawls and 4 pawl springs
LEW19700401	Pawls And Springs Kit. Contains: 6 pawls, 12 springs
LEW19701000	Gear Grease. Waterproof grease for many applications
LEW19701600	RaceLube 55 mil Plastic Bottle. For application where grease is not advised
LEW19701500	Winch Maintenance Pack. Kit includes: 100g Gear Grease, 55ml RaceLube, Brush, "How to" booklet, 10 Pawl Springs



HARKEN®

Harken Ball Bearing Winch Handles



Part No.	Description
A HB8ASGLP.....	8" Aluminum Speed Grip, Low-Profile, Lock-In
-- HB8ASG	8" Aluminum Speed Grip, Lock-In
-- HB8CSG.....	8" Chrome Speed Grip, Lock-In
-- HB8AP.....	8" Aluminum Winch Handle, Plain
-- HB8AL.....	8" Aluminum Winch Handle Lock-In
-- HB8CL.....	8" Chrome Winch Handle, Lock-in
B HB10AP.....	10" Aluminum Winch Handle, Plain
C HB10AL.....	10" Aluminum Winch Handle, Lock-In
D HB10ASG.....	10" Aluminum Speed Grip, Lock-In
E HB10CL.....	10" Chrome Winch Handle, Lock-In
F HB10CSG.....	10" Chrome Speed Grip, Lock-In
G HB10ADL.....	10" Aluminum Double-Grip Winch Handle, Lock-In

Harken Carbo OneTouch Lock-In Winch Handle

Lightweight and fast-acting, the Carbo® OneTouch® ball bearing locking winch handle makes grinding winches easy! Racers will maneuver faster and cruisers will have confidence in a reliable and easy-to-use winch handle.



Part No.	Description
HB10HOT	Carbo One-Touch Winch Handle

Lewmar Winch Handles



LEWMAR

Part No.	Description
A LEW29140040.....	8" One Touch Aluminum Handle
B LEW29140042.....	8" One Touch Aluminum Powergrip
A LEW29140044.....	10" One Touch Aluminum Handle
B LEW29140046.....	10" One Touch Aluminum Powergrip
-- LEW29140048.....	10" One Touch Aluminum Double Grip
C LEW29140121.....	10" Chrome Power Grip Handle-Lock In
-- LEW29141011.....	8" Aluminum Lock In Handle
-- LEW29141110.....	10" Aluminum Plain Handle
-- LEW29141111.....	10" Aluminum Lock In Handle
D LEW29141121.....	10" Chrome Lock In Handle
E..... LEW29141122.....	10" Chrome Lock In Dbl Grip Handle

Winch Handle Holders

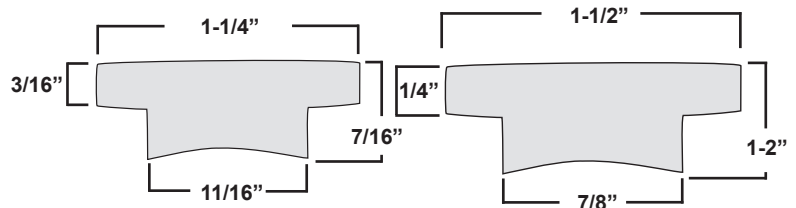
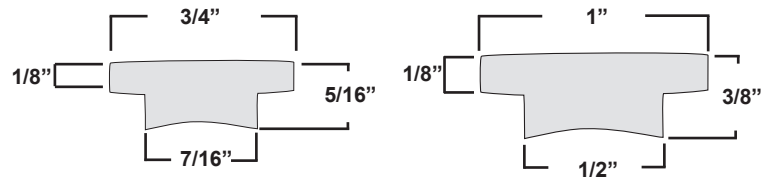
Part No.	Description
LEW29140020.....	Lewmar Winch Handle Holder
SD724200	SeaDog Winch Handle Holder



SCHAEFER

LEGENDARY STRENGTH

Schaefer T-Track incorporates a concave shaped riser for easy mounting to spars. Available in black hardcoat anodized or clear anodizing (silver). Pin stop holes at 1-3/8" centers on all sizes. End Stops are made from UV resistant Urethane. Track sections up to 8' can ship UPS or FedEx. Longer lengths must ship via truck. Contact us for shipping details.



Part No.	Finish	Length	Fastener Size	Fastener Space	Stop Dia.
3/4" T-Track					
SCH40-32.....	Black.....	2'.....	#10.....	3".....	3/16"
SCH40-34.....	Black.....	4'.....	#10.....	3".....	3/16"
SCH40-36.....	Black.....	6'.....	#10.....	3".....	3/16"
SCH40-38.....	Black.....	8'.....	#10.....	3".....	3/16"
SCH40-40.....	Black.....	10'.....	#10.....	3".....	3/16"
SCH74-34.....	End Stop Black.....	3/4"x1/8"(19x3mm).....			

1" T-Track

SCH40-62-C.....	Silver.....	2'.....	1/4".....	4".....	1/4"
SCH40-62.....	Black.....	2'.....	1/4".....	4".....	1/4"
SCH40-64-C.....	Silver.....	4'.....	1/4".....	4".....	1/4"
SCH40-64.....	Black.....	4'.....	1/4".....	4".....	1/4"
SCH40-66-C.....	Silver.....	6'.....	1/4".....	4".....	1/4"
SCH40-66.....	Black.....	6'.....	1/4".....	4".....	1/4"
SCH40-68-C.....	Silver.....	8'.....	1/4".....	4".....	1/4"
SCH40-68.....	Black.....	8'.....	1/4".....	4".....	1/4"
SCH40-70-C.....	Silver.....	10'.....	1/4".....	4".....	1/4"
SCH40-70.....	Black.....	10'.....	1/4".....	4".....	1/4"
SCH40-120-C.....	Silver.....	12'.....	1/4".....	4".....	1/4"
SCH40-120.....	Black.....	12'.....	1/4".....	4".....	1/4"
SCH74-35-G.....	End Stop Grey.....	1"x1/8"(25x3mm).....			
SCG74-35.....	End Stop Black.....	1"x1/8"(25x3mm).....			

1-1/4" T-Track

SCH40-72-C.....	Silver.....	2'.....	5/16".....	4".....	3/8"
SCH40-72.....	Black.....	2'.....	5/16".....	4".....	3/8"
SCH40-74-C.....	Silver.....	4'.....	5/16".....	4".....	3/8"
SCH40-74.....	Black.....	4'.....	5/16".....	4".....	3/8"
SCH40-76-C.....	Silver.....	6'.....	5/16".....	4".....	3/8"
SCH40-76.....	Black.....	6'.....	5/16".....	4".....	3/8"
SCH40-78-C.....	Silver.....	8'.....	5/16".....	4".....	3/8"
SCH40-78.....	Black.....	8'.....	5/16".....	4".....	3/8"
SCH40-80-C.....	Silver.....	10'.....	5/16".....	4".....	3/8"
SCH40-80.....	Black.....	10'.....	5/16".....	4".....	3/8"
SCH40-82-C.....	Silver.....	12'.....	5/16".....	4".....	3/8"
SCH40-82.....	Black.....	12'.....	5/16".....	4".....	3/8"
SCH74-36-G.....	End Stop Grey.....	1 1/4"x3/16"(32x5mm).....			
SCH74-36.....	End Stop Black.....	1 1/4"x3/16"(32x5mm).....			

1-1/2" T-Track

SCH41-12.....	Black.....	12'.....	3/8".....	4".....	7/16"
SCH74-39.....	End Stop Black.....	1-1/2"x1/4"(38x6mm).....			



Blocks, Clutches & Cam Cleats

Harken Element Blocks

Part No.	Description
H6230	45 mm Single
H6260	60 mm Single
H6290	80 mm Single
H6238	45 mm Double
H6269	60 mm Double
H6296	80 mm Double
H6240	45 mm Triple
H6272	60 mm Triple
H6231	45 mm Single w/Becket
H6261	60 mm Single w/Becket
H6291	80 mm Single w/Becket
H6232	45 mm Fiddle
H6262	60 mm Fiddle
H6292	80 mm Fiddle
H6233	45 mm Fiddle w/Becket
H6263	60 mm Fiddle w/Becket
H6293	80 mm Fiddle w/Becket
H6237	45 mm Single Footblock
H6267	60 mm Single Footblock
H6271	60 mm Double Footblock
H6294	80 mm Single Footblock
H6298	80 mm Double Footblock



Single Double Triple



Single w/Becket Fiddle Fiddle w/Becket



Single Footblock Double Footblock

Harken Carbo Blocks

Part No.	Description
H340	29 mm Single
H2636	40 mm Single
H2600	57 mm Single
H2660	75 mm Single
H342	29 mm Double
H2638	40 mm Double
H2602	57 mm Double
H2662	75 mm Double
H344	29 mm Triple
H2640	40 mm Triple
H2604	57 mm Triple
H2664	75 mm Triple



Single Double Triple

Single w/Becket

29 mm	40mm	57 mm	75 mm
H341	H2637	H2601	H2661

Double w/Becket

29 mm	40mm	57 mm	75 mm
H343	H2639	H2603	H2663

Triple w/Becket

29 mm	40mm	57 mm	75 mm
H345	H2641	H2605	H2665

Harken Cam Cleats



Part No.	Description	Line Dia.	Fast. Spacing	MWL
H150	Standard Cam-Matic®	1/8"-1/2"	1-1/2"	300 lbs
H491	Stainless Cam Matic	1/4"-5/8"	2-1/16"	500 lbs
H280	Offshore Cam-Matic®	1/4"-5/8"	2-1/16"	500 lbs
H468	Micro Cam-Matic®	3/32"-1/4"	1-1/16"	200 lbs
H365	Standard Carbo-Cam®	1/8"-3/8"	1-1/2"	200 lbs
H471	Micro Carbo-Cam®	1/8"-1/4"	1-1/16"	150 lbs

Harken Cam Cleat Standard Accessories

Fits H150 and H365 except as otherwise noted.

Part No.	Description
H137	Eyestrapp
H145	Cam Wedge Kit
H201	Low-Profile Eyestrapp
H295	Flat Cam Riser
H296	15° Angled Cam Riser
H298	Wire Fairlead
H375*	X-Treme Angle Fairlead
H425**	Fairlead
H438	Cam Adaptor Plate



* Fits H150.

**Add color code: BK (Black), BL (Blue), G (Green), R (Red), Y (Yellow)

Harken Cam Cleat Micro Accessories

Fits H468 and H471

Part No.	Description
H281	Eyestrapp
H475	Wire Fairlead
H293	Flat Cam Riser
H294	15° Angled Micro Cam Riser
H297	Cam Wedge Kit
H476	X-Treme Angle Fairlead
H424*	Fairlead



*Add color code: BK (Black), BL (Blue), G (Green), R (Red), Y (Yellow)

Offshore Accessories

Fits H280

Part No.	Description
H282	Large Eyestrapp
H283	Offshore Cam Wedge Kit



LEWMAR

Lewmar D1 Rope Clutches

Part No.	Description	Minimum Holding Load	Line Size
LEW29101108BK	Single	.661 lbs	1/4" - 5/16"
LEW29101208BK	Double	.661 lbs	1/4" - 5/16"
LEW29101308BK	Triple	.661 lbs	1/4" - 5/16"
LEW29101110BK	Single	.880 lbs	5/16" - 3/8"
LEW29101210BK	Double	.880 lbs	5/16" - 3/8"
LEW29101310BK	Triple	.880 lbs	5/16" - 3/8"
LEW29101112BK	Single	1,100 lbs	3/8" - 7/16"
LEW29101212BK	Double	1,100 lbs	3/8" - 7/16"
LEW29101312BK	Triple	1,100 lbs	3/8" - 7/16"

Lewmar D2 Rope Clutches

Part No.	Description	Minimum Holding Load	Line Size
LEW29101410BK	Single	1,102 lbs	5/16" - 3/8"
LEW29102410BK	Double	1,102 lbs	5/16" - 3/8"
LEW29103410BK	Triple	1,102 lbs	5/16" - 3/8"
LEW29101412BK	Single	1,550 lbs	3/8" - 1/2"
LEW29102412BK	Double	1,550 lbs	3/8" - 1/2"
LEW29103412BK	Triple	1,550 lbs	3/8" - 1/2"
LEW29101414BK	Single	2,204 lbs	1/2" - 9/16"
LEW29102414BK	Double	2,204 lbs	1/2" - 9/16"
LEW29103414BK	Triple	2,204 lbs	1/2" - 9/16"





Spinlock Rope Clutches

PXR



Part No.	Description	SWL	Line Size
SPPXR0206	Single		3/32" - 1/4"
SPPXR0206/SW	Single, SW-Series		3/32" - 1/4"
SPPXR0206/T	Single, T-Series		3/32" - 1/4"
SPPXR0206/VP	Single, VP series		3/32" - 1/4"
SPPXR0810	Single		5/16" - 3/8"
SPPXR0810/SW	Single, SW-Series		5/16" - 3/8"
SPPXR0810/T	Single, T-Series		5/16" - 3/8"
SPPXR-BRACKET	Mast Mount for PXR Cam Cleat		

XAS



Part No.	Description	SWL	Line Size
SPXAS0408/1	Single	990 lbs	5/32" - 1/4"
SPXAS0408/2	Double	990 lbs	5/32" - 1/4"
SPXAS0408/3	Triple	990 lbs	5/32" - 1/4"
SPXAS0612/1	Single	1,270 lbs	1/4" - 1/2"
SPXAS0612/2	Double	1,270 lbs	1/4" - 1/2"
SPXAS0612/3	Triple	1,270 lbs	1/4" - 1/2"
SPXAS-SMNT	Side Mount Kit		

XTR

Ultra lightweight alloy/composite construction.
Specify Color: "B" black, "S" silver, "W" white.



Part No.	Description	SWL	Line Size
SPXTR0812	Single	2,200 lbs	5/16" - 1/2"
SPXTR-SMNT	Side Mount Kit		

XCS

Aluminum Side Plates.
Specify Color: "B" black, "S" silver, "W" white



Part No.	Description	SWL	Line Size
SPXCS0814/1	Single	2,640 lbs	5/16" - 9/16"
SPXCS0814/2	Double	2,640 lbs	5/16" - 9/16"
SPXCS0814/3	Triple	2,640 lbs	5/16" - 9/16"
SPXCS-SMNT	Side Mount Kit		

XXA

Optimized for high performance line.
Specify Color: "B" black, "S" silver, "W" white.



Part No.	Description	SWL	Line Size
SPXX0812	Single	3,970 lbs	5/16" - 1/2"

Order Spinlock Clutches Online!



XTX



Part No.	Description	SWL	Line Size
SPXTX08/B	Single, Black	1,764 lbs	8mm
SPXTX10/B	Single, Black	2,205 lbs	10mm
SPXTX12/B	Single, Black	2,645 lbs	12mm
SPXTX-GRIP08	Replacement Grip Assembly		
SPXTX-GRIP10	Replacement Grip Assembly		
SPXTX-GRIP12	Replacement Grip Assembly		

Deckvest LITE

The Spinlock Deckvest LITE is an ultra-light inflatable lifejacket built for comfort. One size fits 23.5" - 57". 38lbs buoyancy. USCG Approved. Includes water activated Halkey Roberts Alpha inflator.



Part No. _____
SPDW-LCG2/R*

*Black Standard. Specify PB for Pacific Blue, TW for Tropic White or GP for Grenadine.

More Models Available Online!

Deck Pro Harness



Fits chest sizes 29" - 49"

Part No. _____
SPDW-DPH

Mast Pro Harness



Fits chest sizes 29" - 49"

Part No. _____
SPDW-MPH

Spinlock Clutch Parts Available Online





Whisker Pole Size Recommendations

Boat Length:	Working Jib		Genoa	
	Light to Mod. Air	Mod. to Heavy Air	Light to Mod. Air	Mod. to Heavy Air
Up to 16'	ADJ 4'-8'	ADJ 6'-12'	ADJ 6'-12'	HD 6'-12'
Up to 22'	ADJ 6'-12'	HD 6'-12'	HD 6'-12'	LC 8'-14'
Up to 25'	HD 6'-12'	HD 6'-12'	ADJ 7'-15'	ADJ 7'-15'
Up to 28'	ADJ 7'-15'	ADJ 7'-15'	ADJ 7'-15'	LC 10'-18'
Up to 33'	LC 10'-18'	LC 10'-18'	LC 10'-18'	LC 12'-22'
Up to 35'	LC 12'-22'	LC 12'-22'	LC 12'-22'	LC 13'-24'
Up to 46'	LC 13'-24'	LC 13'-24'	LC 13'-24'	LC 15'-27'
Up to 50'	LC 15'-27'	LC 15'-27'	LC 15'-27'	
Custom 50' and Over	Please contact us regarding poles of this size.			



Sailing Services stocks a full range of Forespar® whisker poles, as well as mil. spec aluminum tubing, end fittings, and mast mounting accessories. We will build custom spinnaker poles to your specifications, and assist you with the design of pole lift and storage solutions. Carbon poles are available by special order. Call us for details.

Small Telescoping Poles

Twist lock includes end fittings, and plastic mast pad eye with stainless steel screws.



Part No.	Model No.	Description
FOR404000	ADJ 4-8	Telescopes from 53" to 93" / 3 lbs.
FOR404100	ADJ 4-8 DL	With latch fittings on both ends
FOR406000	ADJ 6-12	Telescopes from 72" to 134" / 3 lbs.
FOR406100	ADJ 6-12 DL	With latch fittings on both ends

Heavy Duty Telescoping Poles



Heavy duty two-section and three-section aluminum spars can be extended to lengths up to 17' and securely locked into position by an internal twist lock device. Poles feature self-latching Ultra Series fittings on the inboard and outboard ends.

Part No.	Model No.	Description
FOR406300	HD 6-12-DL	Telescopes from 79" to 138", 8 lbs.
FOR407101	ADJ 7-15-DL	Three sections, 83" to 169", 8 lbs.
FOR304015	HD 6-12 DL	Replacement inboard end fitting for ADJ 6-12
FOR304018	HD 6-12 DL	Replacement outboard end fitting for ADJ 6-12
FOR304057	ADJ 7-15 DL	Replacement inboard end fitting for ADJ 7-15

Tri-Reacher™ Whisker Pole

For boats 35'-42' LOA, the new Tri-Reacher™ whisker pole has been developed specifically for use with Asymmetrical/Gennaker sails. This 3-part telescoping whisker pole used with these sails will allow deeper sailing angles and eliminate the need for constant jibing downwind. Collapses to 8', extends to 21'.



Part No.	Description	SWL	Pole Size
FOR408200	Whisker Pole	22 lbs	8' - 21'

Aluminum Tubing

Clear anodized to military specification (triple commercial). Prime marine alloy 6063-T6. Tubing sold in stock lengths.

Part No.	O.D.	Length	Wall	I.D.	Wt./Ft.
FOR500015	1-1/4"	20'	0.050"	1.150"	.22 lbs.
FOR500018	1-1/2"	22' 6"	0.065"	1.370"	.35 lbs.
FOR301005	1-1/2"	7' 6"	0.065"	1.370"	.35 lbs
FOR500020	2"	21' 6"	0.065"	1.870"	.47 lbs
FOR408003	2"	7' 2"	0.065"	1.870"	.47 lbs
FOR401004	2"	9' 1"	0.065"	1.870"	.47 lbs
FOR301006	2"	9' 4"	0.065"	1.870"	.47 lbs
FOR301058	2-1/2"	20' 2"	0.083"	2.334"	.74 lbs
FOR301056	2-1/2"	9'	0.083"	2.334"	.74 lbs
FOR301057	2-1/2"	11' 2"	0.083"	2.334"	.74 lbs
FOR301065	3"	11' 2"	0.083"	2.835"	1.00 lbs
FOR301072	3"	12' 2"	0.083"	2.835"	1.00 lbs
FOR301019	3"	13'	0.083"	2.835"	1.00 lbs
FOR301063	3"	16'	0.083"	2.835"	1.00 lbs
FOR301030	3"	23' 4"	0.083"	2.835"	1.00 lbs
FOR301061	3-1/2"	24' 4"	0.120"	3.260"	1.50 lbs
FOR403004	3-1/2"	12' 2"	0.120"	3.260"	1.50 lbs
FOR301059	3-1/2"	14'	0.120"	3.260"	1.50 lbs
FOR301024	3-1/2"	15'	0.120"	3.260"	1.50 lbs
FOR301003	4"	20'	0.120"	3.750"	1.72 lbs

Line Control™ Whisker Poles

Line Control™ system simplifies the extension and retraction of whisker poles. Just unclean the line to extend or retract. Quick and easy with even the largest poles. Topping lift attachment points are standard on all poles.

Forespar® "Combo" Line Control™ Whisker poles offer all the same features as standard poles, but the Forespar® achieves significant weight savings by using an aluminum outer tube with a carbon fiber inner tube.



Part No.	Model No.	End Fittings	Recommended Mast Fittings	Collapsed Length	Max. Working Length	Tubing		Weight
						Diameters		
FOR401106	LC 10-18 EL-UXP	EL-UXP	PE-35C, RC-125, FC-125	121.75"	218.13"	2"	& 2-1/2"	17 lbs
FOR401107	LC 10-18 EL-UTR	EL-UTR	PE-35C, RC-125, FC-125	121.75"	218.13"	2"	& 2-1/2"	17 lbs
FOR402200	LC 12-22 UXP-UTR	UXP-UTR	RC-125, FC-125	148.50"	265.25"	2-1/2"	& 3"	27 lbs
FOR402201	LC 12-22 UXP-UTR	UTS-UTR	T-125, AT-125	148.50"	265.25"	2-1/2"	& 3"	28 lbs
FOR800802	LC 12-22 UTS-UTR CARBON FIBER	UTS-UTR	T-125, AT-125	148.50"	265.25"	2-1/2"	& 3"	19 lbs
FOR402203	LC 12-22 COMBO	UTS-UTR	T-125, AT-125	148.50"	265.25"	2-1/2"	& 3"	24 lbs
FOR403200	LC 13-24 UXP-UXP	UXP-UXP	RC-125, FC-125	162.00"	272.00"	3"	& 3-1/2"	38 lbs
FOR403202	LC 13-24 UTS-UTR	UTS-UTR	T-125-S	162.00"	272.00"	3"	& 3-1/2"	39 lbs
FOR800800	LC 13-24 UTS-UTR CARBON FIBER	UTS-UTR	T-125, AT-125	162.00"	272.00"	3"	& 3-1/2"	24 lbs
FOR403203	LC 13-24 COMBO	UTS-UTR	T-125, AT-125	162.00"	272.00"	3"	& 3-1/2"	34 lbs
FOR405200	LC 15-27 UTS-UXP	UTS-UXP	T-125-S	182.00"	324.00"	3-1/2"	& 4"	58 lbs
FOR405201	LC 15-27 UTS-UTR	UTS-UTR	T-125-S	182.00"	324.00"	3-1/2"	& 4"	58 lbs
FOR800801	LC 15-27 UTS-UTR CARBON FIBER	UTS-UTR	T-125, AT-125	182.00"	324.00"	3-1/2"	& 4"	32 lbs
FOR405203	LC 15-27 COMBO	UTS-UTR	T-125, AT-125	182.00"	324.00"	3-1/2"	& 4"	42 lbs



Small Boat Spinnaker Pole Kits

One end is installed with the other end loose so pole can be cut to desired length and completed in the field. Kits include nylon latching end fittings, nylon lanyard, part eye and hook kit



Part No.	Model No.	O.D.	Max Length	Shipping Weight
FOR303600	Mini-6	1"	6'	4 lbs
FOR303700	Mini-7	1-1/4"	7'	4-1/2 lbs

Standard Spinnaker Poles

All standard poles are supplied with double bridle topping lift/foreguy system. Unless otherwise specified, all poles are supplied jaws up.

Part No.	O.D.	End Fittings	Max Length	Shipping Weight
FOR304100	1-1/2"	UXP - UXP	7' 8"	6 lbs
FOR304101	2"	UXP - UXP	9' 6"	10 lbs
FOR304102	2"	UXP - UXP	9' 6"	10 lbs
FOR304103	2"	UTR - UTR	9' 6"	10 lbs
FOR304104	2-1/2"	UXP - UXP	11' 6"	14 lbs
FOR304105	2-1/2"	UTR - UXP	11' 6"	15 lbs
FOR304106	2-1/2"	UTR - UTR	11' 6"	15 lbs
FOR304107	3"	UXP - UXP	13' 6"	18 lbs
FOR304108	3"	UTR - UXP	13' 6"	19 lbs
FOR304109	3"	UTR - UTR	13' 6"	19 lbs
FOR304110	3-1/2"	UXP - UXP	15' 5"	33 lbs
FOR304111	3-1/2"	UTR - UXR	15' 5"	33 lbs
FOR304112	3-1/2"	UTR - UTR	15' 5"	34 lbs

Offshore Spinnaker Poles

Please specify end-for-end or single topping lift attachment.

Part No.	O.D.	End Fittings	Max Length	Shipping Weight
FOR304115	3"	UTS - UTR	13' 5"	18 lbs
FOR304116	3"	UTS - UGPS	13' 5"	19 lbs
FOR304117	3-1/2"	UTS - UTR	15'	33 lbs
FOR304118	3-1/2"	UTS - UGPS	15'	34 lbs
FOR304119	4"	UTS - UGPS	18' 5"	44 lbs
FOR304120	4-1/2"	UTS - UGPS	20' 5"	49 lbs

Carbon Fiber Spinnaker Poles



Forespar® carbon poles are made from pressure-cured intermediate modulus carbon fiber and high performance epoxy resin systems.

Poles come "Jaws Up" with * Double Bridle, or ** Custom Single Bridle.

Part No.	O.D.	End Fittings	Max Length	Shipping Weight
FOR800901*	2.0"	UXP - UXP	10.0'	4 lbs
FOR800101*	2.5"	UXP - UXP	12.0'	4.5 lbs
FOR800102*	2.5"	UTR - UTR	12.0'	4.5 lbs
FOR800201*	3.0"	UXP - UXP	14.0'	8 lbs
FOR800202*	3.0"	UTR - UTR	14.0'	8 lbs
FOR800203*	3.0"	UTS - UTR	14.0'	9.5 lbs
FOR800304**	3.5"	UTS - UGPS	16.5'	14 lbs
FOR800405**	4.0"	UTS - UGPS	18.5'	21 lbs
FOR800501**	4.5"	UTS - GP	22.5'	25 lbs
FOR800503**	4.5"	UTS - UGPS	22.5'	26 lbs

Forespar Ultra Series™ End Fittings

Composite end fittings are designed to be durable, high strength, light weight and corrosion resistant. Max. LOA boat outboard end - 43'; Max. LOA boat inboard end - 36'. Spectra™ trip line with terminal eye strap included.

All Ultra ends require minimum 1-1/2" inner diameter mast rings. Undersized rings will damage ends and void warranty.

UTR Style - Internal Trip

Part No.	Fits Pole O.D.	End Fitting I.D.	End Fitting Length	End Fitting Weight
FOR304060	2.0"	1.870"	2.750"	6.97 oz
FOR304061	2.5"	2.334"	3.125"	9.25 oz
FOR304062	3.0"	2.835"	3.000"	11.92 oz
FOR304063	3.5"	3.260"	3.625"	15.72 oz



UXP Style - External Trip

Part No.	Fits Pole O.D.	End Fitting I.D.	End Fitting Length	End Fitting Weight
FOR304054	1.5"	1.370"	2.750"	6.97 oz
FOR304050	2.0"	1.870"	1.870"	6.97 oz
FOR304051	2.5"	2.334"	3.125"	9.25 oz
FOR304052	3.0"	2.835"	3.000"	11.92 oz
FOR304053	3.5"	3.260"	3.625"	15.72 oz



Forespar Offshore Series GP & Ultra Series™ GPS End Fittings

Deluxe ocean racing end fittings featuring a wide flared throat and spring loaded trigger piston. All GP and UGPS fittings are for outboard use only, and will not work with mast cars. Internal trip only.

UGPS Style - Internal Trip

Part No.	Fits Pole O.D.	End Fitting I.D.	End Fitting Length	End Fitting Weight
FOR304021	3.0"	2.835"	5.00"	38 oz
FOR304022	3.5"	3.260"	5.625"	41 oz
FOR304023	4.0"	3.750"	5.625"	48 oz
FOR304024	4.5"	4.260"	5.1875"	51 oz



GP Style - Internal Trip

Part No.	Fits Pole O.D.	End Fitting I.D.	End Fitting Length	End Fitting Weight
FOR309030	3.0"	2.835"	5.00"	44 oz
FOR309033	3.5"	3.260"	5.625"	54 oz
FOR309035	4.0"	3.750"	5.625"	62 oz
FOR309038	4.5"	4.260"	5.1875"	77 oz



TS & UTS Style - Socket Ends

Part No.	Type	Fits Pole O.D.	I.D.	Weight
FOR309028	Aluminum	3.0"	2.835"	26 oz
FOR304080	Ultra	3.0"	2.835"	20 oz
FOR309031	Aluminum	3.5"	3.260"	29 oz
FOR304081	Ultra	3.5"	3.260"	23 oz
FOR405006	Aluminum	4.0"	3.750"	34 oz
FOR309036	Aluminum	4.5"	4.260"	45 oz
FOR304082	Ultra	4.0"	3.750"	23 oz



Mast Pad-Eyes

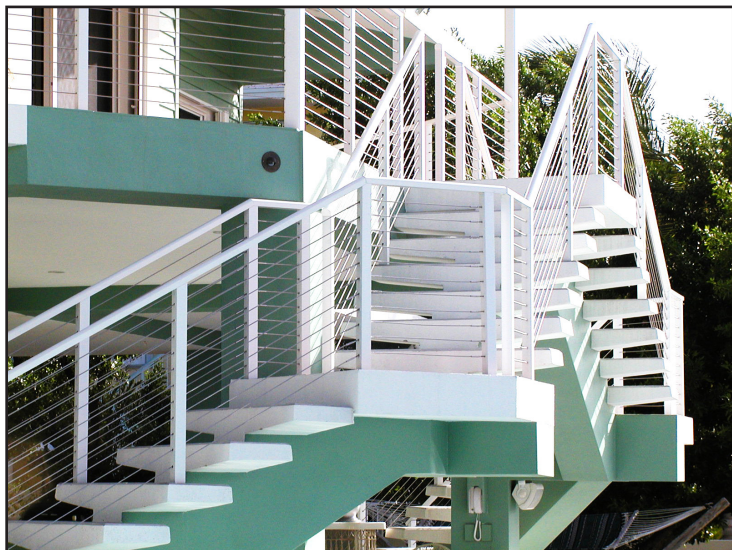


Part No.	Description
A	FOR400001 Flat base, measures 2-3/4" x 2". 1-5/8" ID.
B	FOR400002 Curved base, measures 2-3/4" x 2". 1-5/8" ID.
C	FOR400012 Flat base, heavy duty, measures 2-3/4" x 2". 1-5/8" ID.
D	RF30 Curved base, fits 2-3/8" dia. masts. 1-3/16" ID.
E	RF41 Curved base, fits 3-1/8" dia. masts. 1-3/4" ID.
F	RF602 Curved base, fits 2-3/8" dia. masts. 1-3/8" ID.



RIG RAIL

Architectural & Decorative Rigging



Though we built our reputation on sailboat rigging, we stock a full range of high quality architectural rigging products. Whether you need parts, design assistance or custom fabrication, Sailing Services offers safe, dependable and beautiful results.

The clean open look of cable railing fits every style and allows for maximization of views whether indoors or out. We can work with your architect, contractor or help you design a cable railing system yourself. Call us to see what we can do for your project.

Not only does stainless steel rigging look great for railings, it has dozens of other uses where lightweight, strength and beauty are important.

Other applications include shade awnings, backdrops, room dividers and shelving. Even arbors for climbing vines can be built using stainless steel wire and fittings which will last virtually forever.



INTEC - Backdrop/room divider

In addition to railings, we have done many rigging projects that involve the suspension of objects such as interior lighting projects and art installations. We work with professionals from many different disciplines to create attractive and functional suspension systems.



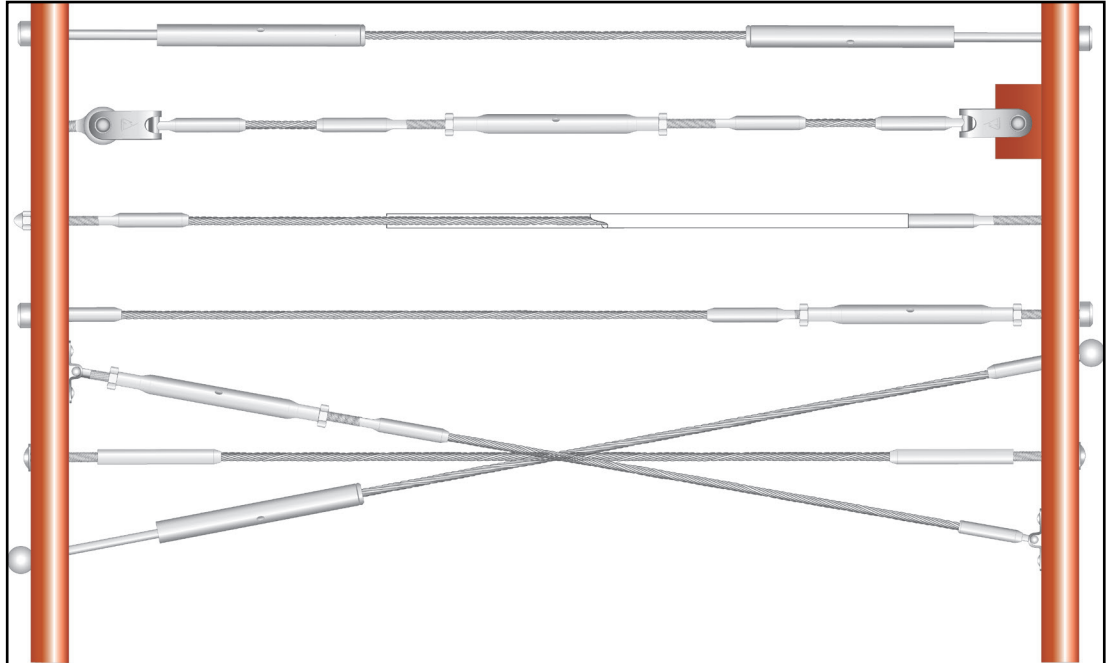


There are many different types of fittings available for cable railing to suit many different design requirements. The examples shown at right and below represent just a portion of the fittings available.

Contact us for help with designing your railing project.

Rules of thumb for cable railing:

- End posts should be able to support 350lbs per the number of cables.
- Space cables at 3" on center to meet 4" sphere test.
- Minimum hole size to pass stud through stanchion is 3/8" for 1/8" and 3/16" cable.
- Maximum span between stanchions: 4'.
- Maximum length of runs is 25' to 50' depending on fittings used.



Threaded Terminals



Threaded terminals are the easiest way to make a cable assembly. Threaded studs can be used with end posts up to 3-1/2" thick. Adjustment made with nuts and washers. Excess thread can be cut flush to nut or capped with an acorn nut.

Part No.	CSJ No.	Wire Dia.	Thread Size	Length
LST040880RSP-2	30-603-1	1/8"	1/4-28 x 2-1/2"	3-3/4"
LST060880R-2	30-608-1	3/16"	1/4-28 x 2-1/2"	4-1/4"
LST081088R-2	30-615-1	1/4"	5/16-24 x 2-3/4"	4-3/4"
LST081296R-2	30-613-1	1/4"	3/8-24 x 3"	5-1/4"

* Swage with 7/32" die.

Washers

Part No.	Description
J60-102	1/4" Washer
J60-103	5/16" Washer
J60-104	3/8" Washer



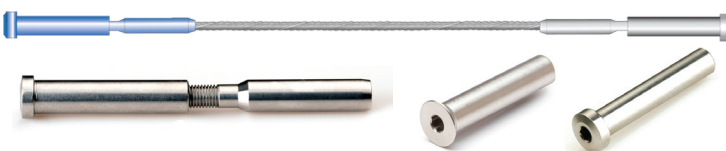
Nuts

Part No.	Description	Part No.	Description
NUT08RH*	1/4" Hex Nut	NUTAC08R-2	1/4" Acorn Nut
NUT10RH*	5/16" Hex Nut	NUTAC10R-2	5/16" Acorn Nut
NUT12RH*	3/8" Hex Nut	NUTAC12-3	3/8" Acorn Nut

*Specify "RH" for right-hand thread and "LH" for left-hand thread.

Terminal Tuners

Easy and clean way to terminate cables. Ideal for metal railings with spans up to 25'. Available with a button cap or bevel cap for flush installations. Shipped complete with swage stud. Adjustment made easy with 3/16" Allen wrench.



Part No.	Wire Dia.	Thread	Length Open	Length Closed
J35-703-4	1/8"	1/4-28 RH	4-1/4"	2-7/8"
J35-703-6	3/16"	1/4-28 RH	4-5/8"	3-3/8"
J35-705-8*	1/4"	5/16-24 RH	4-7/8"	3-5/8"

Classic Jaw Turnbuckles

An excellent choice for runs up to 50'. The clevis pin jaw attaches to eyes, tabs or in a channel. Can be used in a straight run or at an angle.

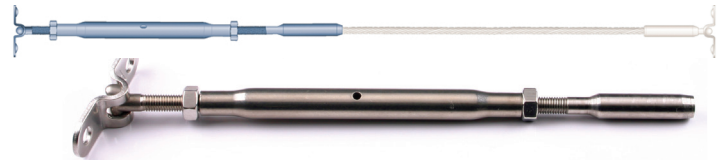


Wire Part No.	Thread CSJ No.	Length Dia.	Length Dia.	Open	Closed
LTBC0408-2	19-314	1/8"	1/4"	11-1/4"	8-1/4"
LTBC0608-2	19-316	3/16"	1/4"	11-1/4"	8-1/4"
LTBC0810-2*	19-318-7*	1/4"	5/16"	12-3/4"	9"
LTBC0812-2	19-308	1/4"	3/8"	14-1/4"	10"

* Swage with 7/32" die.

Deck Toggle Turnbuckles

An excellent choice for runs up to 50'. The clevis pin jaw attaches to eyes, tabs or in a channel. Can be used in a straight run or at an angle.



Wire Part No.	Thread CSJ No.	Length Dia.	Length Dia.	Open	Closed
LTBCDT0408-2	19-314-1T	1/8"	1/4"	10-3/4"	7-3/4"
LTBCDT0608-2	19-316-1T	3/16"	1/4"	11-1/4"	8-1/4"

* Swage with 7/32" die.



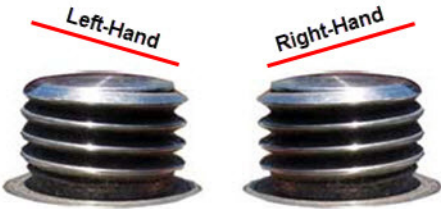
C. Sherman Johnson Co., Inc.
Johnson
 Architectural Hardware



Useful Information

◆ Things with Threads ◆

When held vertically, right-hand threads will slope up to the right, as shown in the picture below. Left-hand threads will slope up to the left. Many rigging parts will require the specification of thread direction.

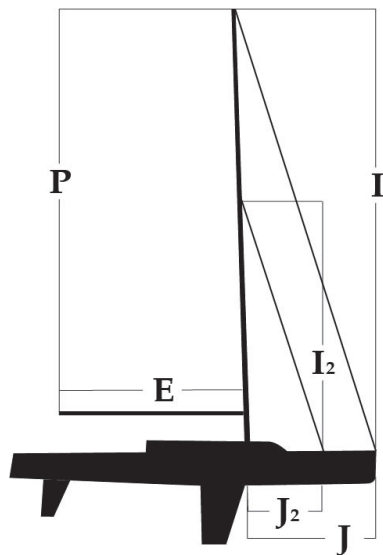


Standard M profile or international (ISO68). Pitch is the distance from thread crest to thread crest in millimeters.

Diameter in Inches	Threads / Inch (UNF)	Diameter in MM	Pitch (ISO 68)
1/4	28	M6	1.00
5/16	24	M8	1.25
3/8	24	M10	1.50
7/16	20	M12	1.75
1/2	20	M16	2.00
5/8	18	M20	2.50
3/4	16	M22	2.50
7/8	14	M27	3.00
1	12	M30	3.50

◆ Rig Dimensions ◆

- P..... Mainsail length along the mast (luff).
- E..... Mainsail length along the boom (foot).
- I..... Distance from the sheer line to the intersection of the forestay and the mast.
- I₂..... Distance from the sheerline to the intersection of the inner-forestay and the mast.
- J..... Distance from the forward side of the mast to the center of the forestay at the bow.



◆ Conversion Table ◆

Length		
When you know	Multiply by	To Find
Inches	25.40	Millimeters
Inches	2.540	Centimeters
Feet.....	304.80	Millimeters
Feet.....	30.48	Centimeters
Feet.....	0.3048	Meters
When you know	Divide by	To Find
Millimeters	25.40	Inches
Centimeters	2.540	Inches
Millimeters	304.8	Feet
Centimeters	30.48	Feet
Meters	0.3048	Feet
Weight		
When you know	Multiply by	To Find
Ounces.....	28.35	Grams
Pounds.....	0.4535	Kilograms
When you know	Divide by	To Find
Grams	28.35	Ounces
Kilograms.....	0.4535	Pounds
Area		
When you know	Multiply by	To Find
Square Inches	645.2	Square Millimeters
Square Inches	6.452	Square Centimeters
Square Feet	929.0	Square Centimeters
Square Feet	0.0929	Square Meters
Square Yards.....	0.8361	Square Meters
When you know	Divide by	To Find
Square Millimeters	645.2	Square Inches
Square Centimeters.....	6.452	Square Inches
Square Centimeters.....	929.0	Square Feet
Square Meters	0.0929	Square Feet
Square Meters.....	0.8361	Square Yards

◆ Equivalency Table ◆

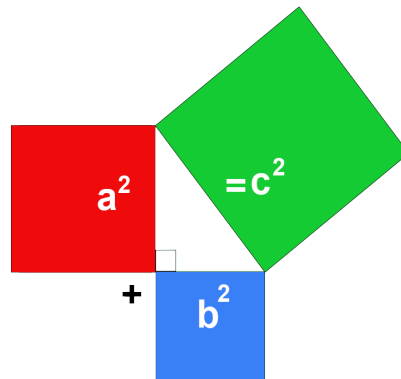
Fractional Inches	Decimal Inches	mm
1/64"	0.01563	0.39688
1/32"	0.03125	0.79375
	0.03937	1.00000
1/16"	0.06250	1.58750
	0.07874	2.00000
3/32"	0.09375	2.38125
	0.11811	3.00000
1/8"	0.12500	3.17500
5/32"	0.15625	3.96875
	0.15748	4.00000
3/16"	0.18750	4.76250
	0.19685	5.00000
7/32"	0.21875	5.55625
	0.23622	6.00000
1/4"	0.25000	6.35000
	0.27559	7.00000
9/32"	0.28125	7.14375
5/16"	0.31250	7.93750
	0.31496	8.00000
11/32"	0.34375	8.73125
	0.35433	9.00000
3/8"	0.37500	9.52500
	0.39370	10.00000
13/32"	0.40625	10.31875
	0.43307	11.00000
7/16"	0.43750	11.11250
15/32"	0.46875	11.90625
	0.47244	12.00000
1/2"	0.50000	12.70000
	0.51181	13.00000
17/32"	0.53125	13.49375
	0.55118	14.00000
9/16"	0.56250	14.28750
	0.59055	15.00000
19/32"	0.59375	15.08125
5/8"	0.62500	15.87500
	0.62992	16.00000
	0.66929	17.00000
11/16"	0.68750	17.46250
23/32"	0.71875	18.25625
	0.74803	19.00000
3/4"	0.75000	19.05000
25/32"	0.78125	19.84375
	0.78740	20.00000
13/16"	0.81250	20.63750
	0.82677	21.00000
27/32"	0.84375	21.43125
	0.86614	22.00000
7/8"	0.87500	22.22500
	0.90551	23.00000
29/32"	0.90625	23.01875
15/16"	0.93750	23.81250
	0.94488	24.00000
31/32"	0.96875	24.60625
32/32"	1.00000	25.40000

Pythagorean Theorem

The square of the hypotenuse (the side opposite the right angle) is equal to the sum of the squares of the other two sides:

$$a^2 + b^2 = c^2$$

This is very useful to riggers and sailmakers. For example, if we know the "I" and "J" measurements of a boat we can use the Pythagorean Theorem to estimate the length of the forestay.





Sailing Services Team



Mark DuFeny
Purchasing & Marketing



Brooks Jones
Skipper



Morgan Jones
Sales & Trouble Shooter



David Weir
Special Project Sales



Pedro Malax
Sales (Hablo Español)



Richard White
Sales



Tom Sharkey
Special Projects



Alejandro Alvarez
Rigging Production Manager



Alexis Guadamuz
Splicing & Lifelines



Milton Ibanez
Rigging Production



Douglas Andino
Shipping Expert



Diane Jones
Bookkeeping



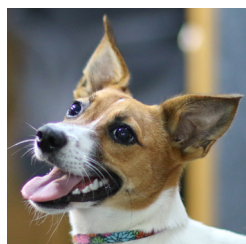
Danielle Chandler
Marketing & Web Manager



Jak Harris
Splicing



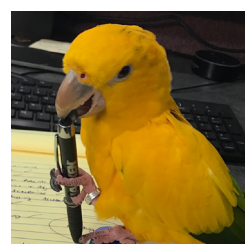
Alejandra Harris
Receiving & Sales
(Hablo Español)



Lily
Research



Doug Call
IT



Loki
Development



Go to www.sailingservices.com for a complete list of our suppliers.



STA-LOK[®]



OGM

HARKEN[®]

NEW ENGLAND ROPES

TOGETHER IN MOTION



Hi-MOD

Made in UK



spinlock **LEOS & CO**[®]

Hayn Marine

TUFFLUFF
FROM SCHAEFER MARINE

SCHAEFER
LEGENDARY STRENGTH



LEWMAR

Johnson

RONSTAN



DAVIS
Davis Instruments

Tylaska

samson
THE STRONGEST NAME IN ROPE

Robline
World Class Yachting Ropes

Z SPARS



F FORESPAR[®]

McLube

SELDÉN
for sailing

Marlow[®]

TIDEMARINE

QUALITY MARINE HARDWARE
SEADOG[®] **LINE**



We speak sailing!



SailingServices.com
sales@sailingservices.com