



English - 2022



Credit photo: Simon DELVOYE

# FURLING SYSTEMS

[profurl.com](http://profurl.com)





**MANUAL REEFING SYSTEMS  
CRUISING, RACING &  
BELOW THE DECK MODELS**

# Manual reefing systems



## THE STANDARD-BEARER FOR MANUAL FURLING SYSTEMS

Since the 1980's, Profurl manual furling systems have been designed according to two core principles:

### RELIABILITY AND SAFETY

Whatever you're doing at sea, Profurl furling systems ensure smooth sailing under any conditions.

**Do you need a furler that can handle severe weather and heavy loads?** Thanks to their specially designed mechanisms, Profurl furling systems are the only systems on the market to offer truly reliable furling under severe loads ensuring your safety.

**Are you looking for reliability?** Profurl furling systems are designed to cover tens of thousands of miles without any specific maintenance. To prove their reliability, a ten-year international guarantee is provided with every model.

**Maybe you're in search of extra performance?** The weight of the Profurl system has been trimmed down to the minimum. Our Racing range will also improve your craft's overall performance.



## Why choose a Profurl furling system?

- > A wide range of PROFURL furling systems for **all sailing applications**.
- > The bearings are maintained in a waterproof grease bath and require **zero maintenance**.
- > **Cruising models** for boats from 5 to 26m, with colourless anodised round reefing foils.
- > **Regatta models** for boats from 6 to 20m, with black anodised oval reefing foils.
- > **A wide range of installation options** to adapt to the deck of your craft
- > Minimised weight.
- > **Guaranteed longevity with corrosion protection** (anodization, insulation)
- > **An international 10-year guarantee.**

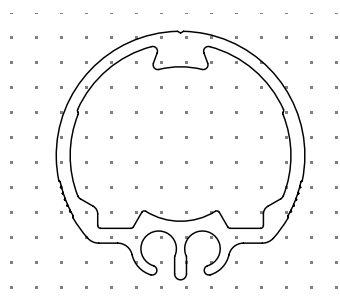


## A brand-new design that's better for the environment



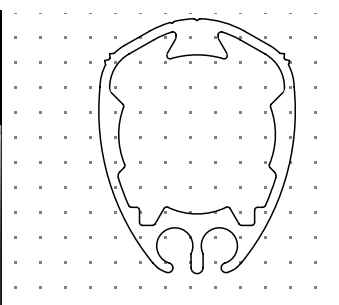
Profurl furling systems have recently received a design upgrade, abandoning their traditional green anodization for black. This new treatment provides the same level of corrosion protection. It's also better for the environment.

## Two ranges of headsail manual furlers



### CRUISING SYSTEMS

With 9 models, the Cruising range offers robustness and safety. They are dedicated to boats from 5 to 26 m. They integrate innovations like the double cage arms and the new feeder design. The Cruising models are equipped with silver anodised extrusions.



### RACING SYSTEMS

The Racing systems bring performance and ease of use thanks to innovations like the opening pre-feeder delivered as standard. They are dedicated to boats from 6 to 20 m and have been especially designed for the racing-cruising sailors. They are equipped with black aerofoil extrusions.

# Manual reefing systems

## System components

### Swivel:

- Ball bearings sealed in a grease bath.
- Two watertight double lips seals to prevent foreign bodies from entering (water, salt, dust...).

### Extrusions:

- Aluminium extrusions (Cruising: round silver anodised / Racing: aerofoil black anodised).
- Light weight specialised alloy.
- Optimum torque resistance.

### Drum mechanism:

- Withstands tremendous impact.
- Double cage arms prevent the furling line from jumping off the drum.
- Removable: the headsail can be hoisted and set as per a racing foil.
- The drum mechanism contains a maintenance free ball bearings system.

### Wrapstop:

Fixed at the top of the stay, it radically prevents the halyard from wrapping around the stay, and reduces potential halyard chafe.

### Feeder (except C290):

- Stainless steel (316L).
- No fitting tool, attachment is made with a Velcro webbing.
- Option: opening pre-feeder from Wichard.

### Locking devices:

- Standard ones for Cruising and Racing models with short link plates
- Stainless steel locking devices with insulated bushes (recommended for boats with high/intensive use). Also mandatory in case of closed to deck fitting.
- The locking devices are available for standard, medium and long link plates attachment configurations.



## Profurl furling systems: the last word in reliability and longevity

Only Profurl technology offers optimal reliability and longevity. Profurl mechanisms are designed to use special bearings which can furl sails under any conditions.

They are fully waterproof, protecting them from corrosion and contamination for maximum longevity.



## High performance systems...

- > The extrusions are made lighter and stronger thanks to a special alloy (6106).
- > The ball bearings have an optimized weight / resistance ratio.
- > The Wichard opening pre-feeder is delivered as standard on Racing models to hoist the sail faster.



## ...reliable and maintenance free

- > The ball bearings are made of high strength 100 C6 carbon steel and are sealed in a grease bath to increase their working load and prevent corrosion.
- > Watertightness is achieved by the use of two double lip seals preventing foreign bodies (salt, sand, dust, water) from entering the bearing mechanism.
- > The not deformable plastic drums withstand impact (e.g. anchor bump, collision) and are resistant to UV.



## Ease of use

PROFURL manual furling systems have been designed to ease operations:

- > The standard feeder enables to easily hoist the sail by only one crew member.
- > The optional opening pre-feeder, manufactured by Wichard, smoothly guides the sail's luff tape into the extrusions, whilst rapidly hoisting the sail. When re-hoisting it, the pre-feeder can be reattached to the luff tape without removing the headsail from the extrusion.



## Safety of use

- > Double cage arms (exclusive to PROFURL) prevent the furling line from jumping off the drum and allow the furling line to re-align onto the drum by simply pulling on the line.
- > Stainless steel locking devices are dedicated to boats with a closed to deck fitting.
- > On the C480, C520, C530 and R480 models, special locking devices have been designed to withstand the higher loads.



## Reliability of materials

PROFURL rigorously selects the materials to be used for the manufacturing of the different components: these parts are submitted to bench-tests in order to assess their resistance.

- > Ball bearings are made of high strength 100 C6 carbon steel.
- > Drums are made of high impact plastic.
- > Extrusions use a special alloy (6106) and offer one of the best weight / resistance ratios.
- > The feeder and the opening pre-feeder are made of stainless steel (316L), except for C290.

# Manual reefing systems

## DECK ATTACHMENT CONFIGURATIONS

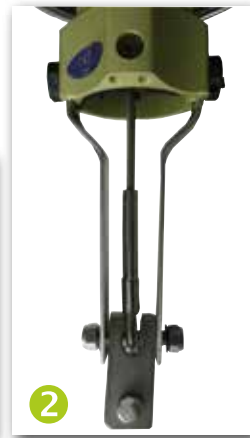
PROFURL furling systems can be adapted to your boat's configuration, not vice versa. PROFURL offers a wide range of fittings, a description of each fitting configuration is listed below:



Long link plates fitting



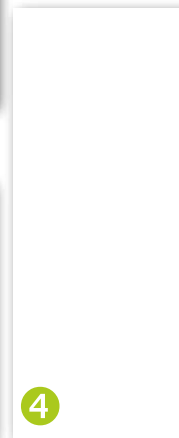
1 Standard fitting with short link plates



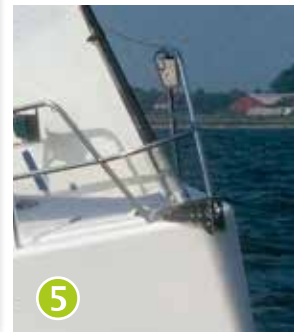
2 Long link plates fitting



3 Close to the deck fitting with stainless steel lockers



4 Fitting with turnbuckle cylinder



5 Below the deck fitting

## What kind of fitting for my furling system?

1

### STANDARD FITTING WITH SHORT LINK PLATES

Type of locking devices: standard and threaded pin for a stay eye fitting

- ⊕ Raise the drum mechanism in order to clear the deck in case of obstacles (bow roller etc.).
- ⊕ Fitting with adjustment plates is also possible

2

### FITTING WITH LONG LINK PLATES

Type of locking devices: standard

- ⊕ The drum can be lifted to avoid interference with the anchor and to reduce the sail chafe on the lifelines.
- ⊕ The forestay length is still adjustable.

3

### FITTING CLOSE TO THE DECK

Type of locking devices: stainless steel and smooth pin

- ⊕ Increase the luff length

4

### FITTING WITH A TURNBUCKLE CYLINDER

The rigging screw goes into the turnbuckle cylinder.

- ⊕ The furler can be fitted lower to the deck.
- ⊕ It is also possible to use a combination of a turnbuckle cylinder and long link plates.

5

### BELOW THE DECK FITTING

⊕ An aesthetic solution chosen by some boatbuilders (Bénéteau, X-Yacht). Please contact us for more information.

- ⊕ Adjustable tack fitting

## C260: THE FURLING SYSTEMS FOR LIGHT BOATS

Especially designed for boats from 5 to 7 m, the C260 model is a self-contained halyard furling system. Cost-effective, easy to install on the existing forestay, the C260 does not require any maintenance.

### > The self-contained halyard system

On light sail boats - especially fractionally rigged - it is usually difficult to obtain a tight forestay. The C260 with its self-contained halyard helps to minimise forestay sag by reducing mast compression created by a combination of loads from the halyard and sail.

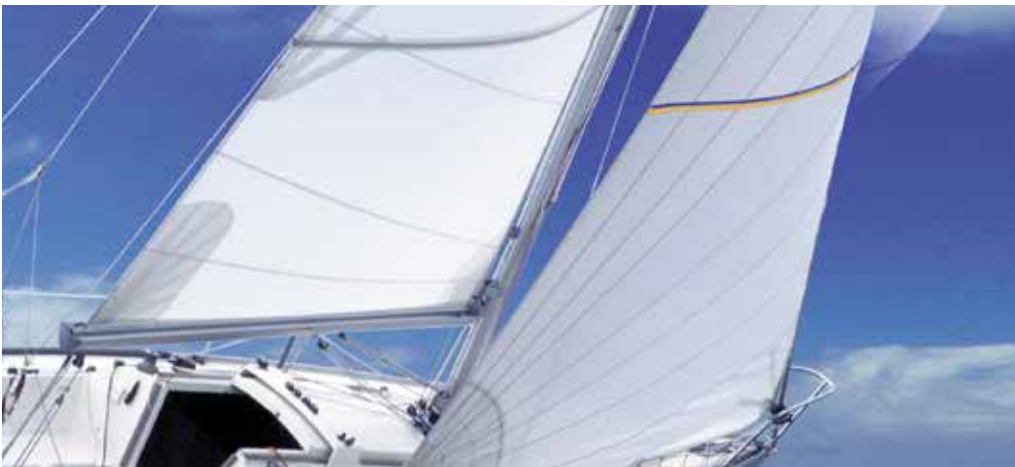
### > Ease of installation

The C260 does not require a specialised attachment to the forestay stem head, it is simply attached to the lower swage terminal of the forestay (eye and holes plates or turnbuckle).

For boats transported and stored on a trailer, the C260 can be separated in two sections reducing the risk of damage while in transit.

### > Ease of use

The self-contained halyard passes over a sheave box fitted into the top of the extrusion and returns down to a sheave and cam cleat. Once the sail is hoisted and tensioned, the remaining length of the halyard is used as a furling line.





# Manual reefing systems



## CRUISING MODELS

- > Large range of 10 models for boats from 5 to 26 m.
  - > Round and silver anodised profile.
  - > Several fitting possibilities: adjustment plates, long link plates, turnbuckle cylinder, below the deck fitting, stainless steel locking devices
  - > Additional option: opening pre-feeder, stainless steel locking devices
  - > 10 year world wide limited warranty.
  - > **New:** the C290, C320, C350, C420 and C520 models can hold an increased forestay diameter.
- For example: for an 8mm forestay, you can choose a C320 instead of a C350. If using a swageless eye, you must take both the maximum sail surface area and the drum capacity into consideration.

## How to choose my furling system?

To correctly select your own furling system, refer to the following steps:

- Step 1: Define your sailing program: cruising or racing-cruising.
- Step 2: Measure accurately the diameter of the forestay (see table below).
- Step 3: Choose one of the fitting systems described on page 14.

		Boat length (meter) & max sail area										
Model	max forestay Ø mm	5 - 7	7 - 9	9.50	10	11	12	13	14	16	18	26+
C260	5	15M <sup>2</sup>										
C290	6.35 / 7*		30M <sup>2</sup>									
C320	7 / 8*			40M <sup>2</sup>								
C350	8 / 10*					55M <sup>2</sup>						
C420	10 / 12.7*						80M <sup>2</sup>					
C430	12.7							100M <sup>2</sup>				
C480	14.3								120M <sup>2</sup>			
C520	16 / 19*									140M <sup>2</sup>		
C530	19										220M <sup>2</sup>	

Cruising range	C260	C290	C320	C350	C420	C430	C480	C520	C530	
	Self-contained halyard	Halyard swivel systems								
Max forestay Ø (mm)	5	6,35 / 7*	7 / 8*	8 / 10*	10/12.7*	12,7	14,3	16 / 19*	19	
Equivalent in # rod	-	# 10	# 12	# 17	# 22	# 40	# 48	# 60	# 76	
Clevis pin Ø (mm)	-	8-10-12-14-16	10-12-14-16-19-22-25	16-18-19-22-25-28						
Furling standard length (m)	8,50	8	10	12	16	18	18	20	22	
Extrusion length (m)		2								
Weight / meter (Kg)	0,408	0,557	0,661	0,728	0,933	0,933	1,200	1,460	1,460	
Removable drum	No	No	Yes							
Feeder	No	No					Yes			
Double luff groove	Yes	No	Yes							
Luff line Ø (mm)	6	5				6				
Luff rope pre-feeder	No	Option								
Long link plates	No	Option								
Turnbuckle cylinder	No	Yes	Option							
Stainless steel locking devices	No	Option: all models but C430 model - Specific locking devices: C480, C520, C530								
Warranty		10 year world wide warranty								

\*If using a swageless eye, you must take both the maximum sail surface area and the drum capacity into consideration.

## RACING MODELS

- > Range of 5 models for boats from 6 to 20 m.
- > Black anodised aerofoil profile.
- > Several fittings: adjustment plates, long link plates, turnbuckle cylinder, below the deck fitting, stainless steel locking devices
- > Options: stainless steel locking devices, turnbuckle cylinder
- > 10 year world wide limited warranty.



## How to choose my furling system?

To correctly select your own furling system, refer to the following steps:

- Step 1: Define your sailing program: cruising or racing-cruising.
- Step 2: Measure accurately the diameter of the forestay (see table below).
- Step 3: Choose one of the fitting systems described on page 14.

		Boat length (meter) & max sail area										
Model	Max forestay Ø mm	6	7	8	9	10	11	12	13	14	16	19
R250	6.35	30M <sup>2</sup>										
R350	8				45M <sup>2</sup>							
R420	10						70M <sup>2</sup>					
R430	11.1							90M <sup>2</sup>				
R480	12.7 / 14*										100M <sup>2</sup>	

Racing range	R250	R350	R420	R430	R480
	Halyard swivel systems				
Max. forestay Ø (mm)	6,35	8	10	11.1	12.7 / 14*
Equivalent in # rod	# 10	# 17	# 22	# 30	# 40
Clevis pin Ø (mm)	8-10-12-14-16		10-12-14-16-19-22-25		16-18-19-22-25-28
Furling standard length (m)	8	12	14	16	18
Extrusion length (m)	2	2	2	2	2
Weight / meter Kg	0,383	0,638	0,835	0,835	1,200
Removable drum			Yes		
Feeder			Yes		
Opening pre-feeder			Yes		
Double luff groove			Yes		
Luff line Ø (mm)	5 mm				6 mm
Long link plates			Option		
Turnbuckle cylinder			Option		
Stainless steel locking devices	Option for all models but R430 model - For R480 specific locking devices				
Warranty	10 year world wide warranty				

\*If using a swageless eye, you must take both the maximum sail surface area and the drum capacity into consideration.

## THE SPECIAL R250 FOR J80:

The R250 is the official furling system for the J80 class.

It is available as a complete version or as a kit (to be mounted on Harken extrusions).

The specific swivel system uses ceramic bearings, allowing you to furl the genoa even faster.



# Manual reefing systems



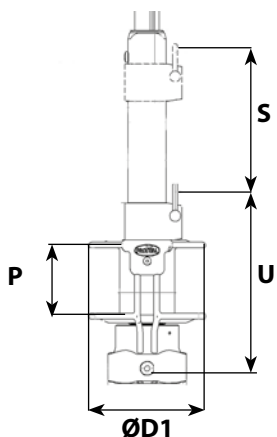
## BELOW THE DECK MODELS

- > For Cruising models from C290 to C430 and Racing models from R250 to R480
- > Adjustable tack point above the deck
- > Aesthetic solution enabling easier operations with anchor
- > Optimized luff and thus better boat performances
- > 10 year world wide warranty



© photo X Yachts

Below the deck fitting	C290	C320SP	C350SP	C420SP	C430SP	R250SP	R350SP	R420SP	R430SP	R480SP
<b>Model</b>	Cruising model - round & silver profil					Racing model - oval & black profil				
<b>Max sail area</b>	30 m <sup>2</sup>	40 m <sup>2</sup>	55 m <sup>2</sup>	80 m <sup>2</sup>	100 m <sup>2</sup>	30 m <sup>2</sup>	45 m <sup>2</sup>	70 m <sup>2</sup>	90 m <sup>2</sup>	100 m <sup>2</sup>
<b>Max. forestay Ø (mm)</b>	6,35	7	8	10	12,7	6,35	8	10	11,1	12
<b>Equivalent in # rod</b>	# 10	# 12	# 17	# 22	# 40	# 10	# 17	# 22	# 30	# 40
<b>Clevis pin Ø (mm)</b>	8/10/12/14/16		10/12/14/16/19/22/25			8/10/12/14/16		10/12/14/16/19/22/25		16/19/22 / 25/28
<b>Furling standard length (m)</b>	10	12	14	16	18	8	12	14	16	18
<b>Extrusion length (m)</b>	2 m									
<b>Weight / meter Kg</b>	0,557	0,661	0,728	0,933	0,933	0,383	0,638	0,835	0,835	1.200
<b>Removable drum</b>	No									
<b>Feeder</b>	No	Yes								
<b>Opening prefeeder</b>	Option					Yes				
<b>Double luff groove</b>	No	Yes								
<b>Luff line Ø (mm)</b>	5									6
<b>Long link plates</b>	Option									
<b>Turnbuckle cylinder</b>	Yes									
<b>Stainless steel locking devices</b>	Option for all models but C430SP and R430SP models - Specific locking devices for R480 model									
<b>Warranty</b>	10 year world wide warranty									



BELOW THE DECK: DIMENSIONS (MM)										
	C290	C320SP	C350SP	C420SP	C430SP	R250SP	R350SP	R420SP	R430SP	R480SP
<b>P</b>	150	190	190	190	190	150	190	190	190	250
<b>S</b>	170	250	300	300	300	170	250	300	300	690
<b>U</b>	213	265	265	265	265	210	265	265	265	342
<b>ØD1</b>	140	192	222	242	242	140	192	242	242	276

# TECHNICAL DOCUMENTS

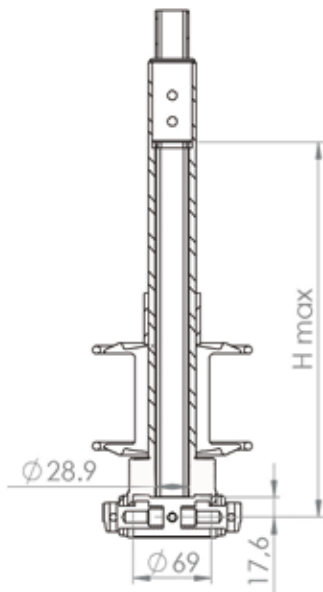
## WEIGHT OF THE DIFFERENT COMPONENTS IN KG

Models	Drum mechanism	Turnbuckle cylinder	Complete Swivel	Compleat luff extrusion Kg / m	Head fitting + wrapstop
C290	2,09	included	0,54	0,557	0,16
C320	2,08	0,76	0,58	0,661	0,18
C350	3,12	0,82	0,84	0,728	0,32
C420	3,43	0,87	1,07	0,933	0,38
C430	3,51	0,87	1,73	0,933	0,38
C480	6,06	1,79	2,08	1,2	0,56
C520	6,06	2,22	2,08	1,46	0,57
C530	6,06	2,22	2,37	2,8	0,57
R250	1,6	0,45	0,51	0,383	0,06
R350	2,16	0,63	0,85	0,638	0,18
R420	3,75	0,94	0,98	0,835	0,36
R430	3,75	0,94	1,68	0,835	0,36
R480	6,09	1,79	2,08	1,2	0,44

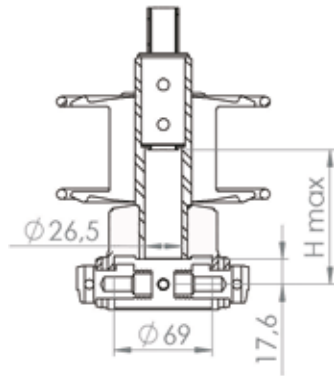
## DRUM CAPACITY FOR HEADSAIL SYSTEMS AND SUGGESTED FURLING LINE DIAMETERS

Model	Ø Forestay mm (")	Boat length m (ft)	Forestay length	Max. genoa area	Ø luff mm (inch)	Ø furling line mm (inch)	Drum capacity m (ft)	Maximum LP
C260	5 (13/64")	5 to 8 m	6.5 à 8,5 m	15 m <sup>2</sup>	6 (15/64")	6 (15/64")	7,6 m (25')	4 m (13')
C290	6,35 (1/4") / 7* (9/32")	7 to 10 m	10 à 14 m	30 m <sup>2</sup>	5 (13/64")	6 (15/64") 8 (5/16")	13 m (42') 7,5 m (25')	8 m (26') 3 m (10')
C320	7 (9/32") / 8* (5/16")	9,5 to 12 m	12 à 16 m	40 m <sup>2</sup>	5 (13/64")	6 (15/64") 8 (5/16")	26,2 m (85') 14,7 m (46')	17 m (56') 7 m (23')
C350	8 (5/16") / 10* (3/8")	11,5 to 13,5 m	14 à 18 m	55 m <sup>2</sup>	5 (13/64")	8 (5/16") 10 (3/8")	23,2 m (75') 14,9 m (49')	19 m (62') 7 m (23')
C420	10 (3/8") / 12,7* (1/2")	13 to 15 m	16 à 20 m	80 m <sup>2</sup>	5 (13/64")	8 (5/16") 10 (3/8")	31,4 m (101') 20,1 m (65')	26 m (86') 12,5 m (41')
C430	12,7 (1/2")	14 to 16 m	18 à 22 m	100 m <sup>2</sup>	5 (13/64")	8 (5/16") 10 (3/8")	31,4 m (101') 20,1 m (65')	26 m (86') 12,5 m (41')
C480	14,3 (9/16")	14,5 to 18,5 m	18 à 22 m	120 m <sup>2</sup>	6 (15/64")	10 (3/8") 12 (1/2")	30 m (98') 22 m (72')	26,5 m (81') 14,5 m (45')
C520	16 (5/8") / 19* (3/4")	16,5 to 18,5 m	20 à 24 m	140 m <sup>2</sup>	6 (15/64")	10 (3/8") 12 (1/2")	30 m (98') 22 m (72')	26,5 m (81') 14,5 m (45')
C530	19 (3/4")	18,5 to 26 m	22 à 26 m	220 m <sup>2</sup>	6 (15/64")	10 (3/8") 12 (1/2")	30 m (98') 22 m (72')	26,5 m (81') 14,5 m (45')
R250	6,35 (1/4")	6 à 9 m (19'-30')	8 à 12 m	30 m <sup>2</sup>	5 (13/64")	6 (15/64") 8 (5/16")	11,1 m 6,2 m	4,5 m (13') 2,5 m (8')
R350	8 (5/16")	9,5 to 12,5 m (31'-41')	12 - 16 m	45 m <sup>2</sup>	5 (13/64")	6 (15/64") 8 (5/16")	26,2 m 14,7 m	17 m (56') 7 m (23')
R420	10 (3/8")	11,5 to 14,5 m (37'-47')	14 - 18 m	70 m <sup>2</sup>	5 (13/64")	8 (5/16") 10 (3/8")	31,4 m 20,1 m	26 m (86') 12,5 m (41')
R430	11,1 (7/16")	13 to 16,5 m (43'-54')	16 - 20 m	90 m <sup>2</sup>	5 (13/64")	8 (5/16") 10 (3/8")	31,4 m 20,1 m	26 m (86') 12,5 m (41')
R480	12,7 (1/2")	15,5 to 20 m (52'-65')	18 - 22 m	100 m <sup>2</sup>	6 (15/64")	10 (3/8") 12 (1/2")	30 m (98') 22 m (72')	26,5 m (86') 14,5 m (45')

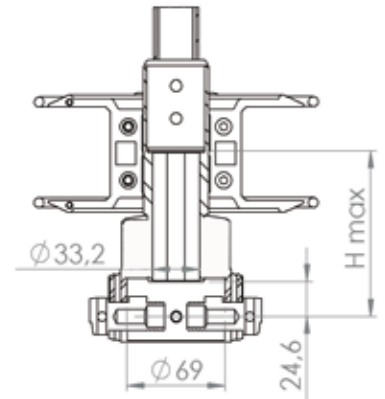
# INNER DIMENSIONS OF DRUM MECHANISM



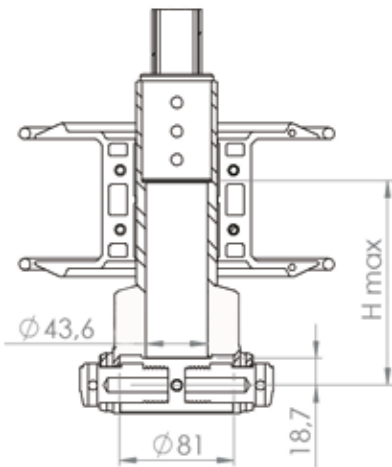
C290 - R250SP



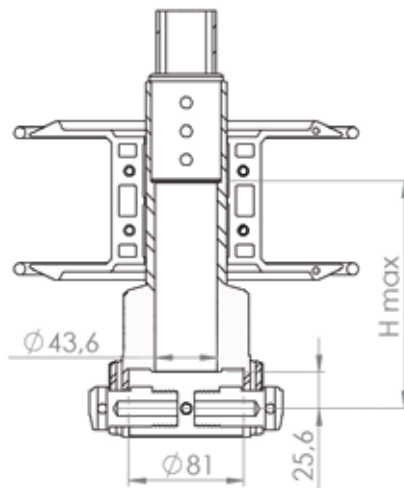
R250



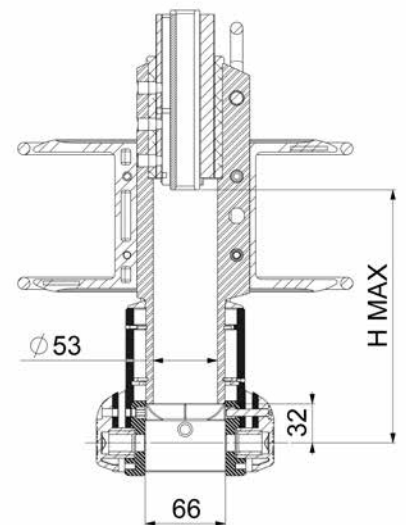
C320 - R350



C320SP - C350  
C350SP - C420SP  
C430SP - R350SP  
R420SP - R430SP



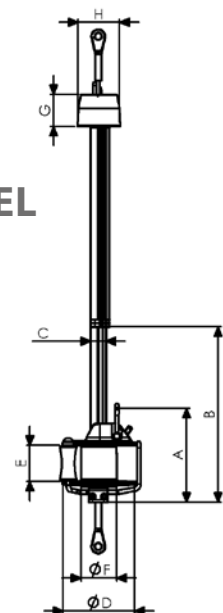
C420 - C430  
R420 - R430



C480 - C520  
C530 - R480

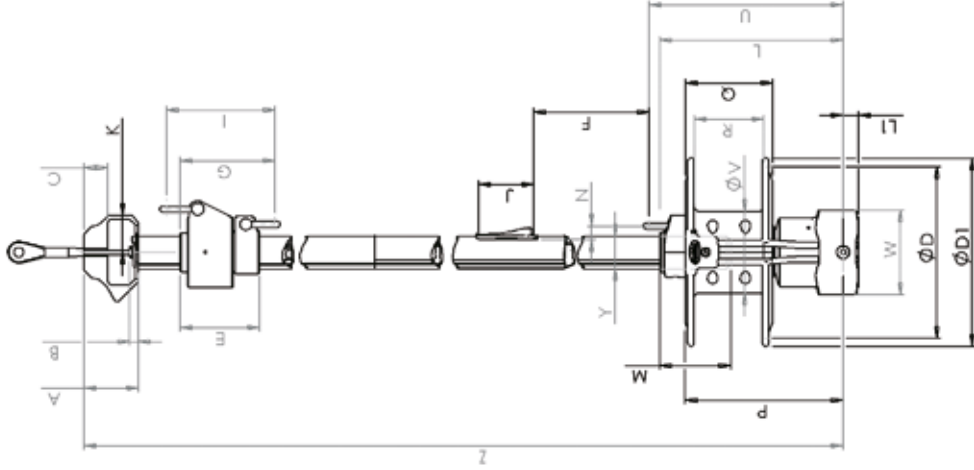
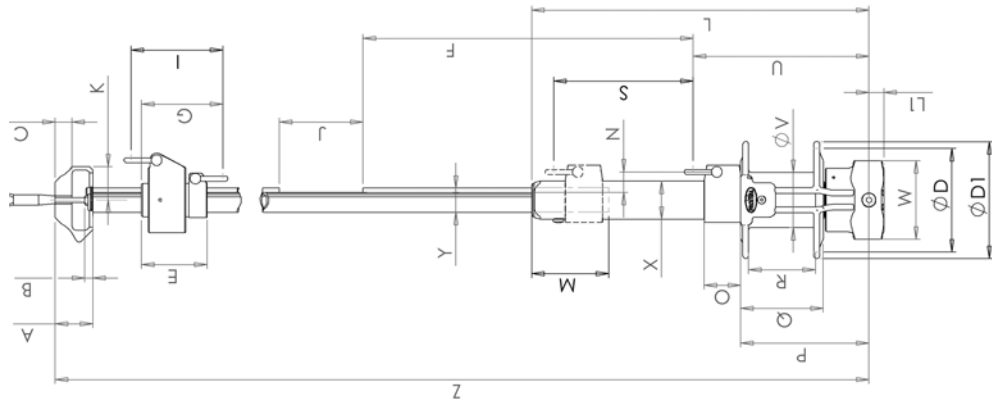
## DIMENSIONS OF C260 MODEL

	mm	ins
A	150	5 29/32"
B	575	1'10 5/8"
C	26	1 1/32"
D	115	4 17/32"
E	56	2 13/64"
F	56	2 13/64"
G	67	2 41/64"
H	50	1 63/64"

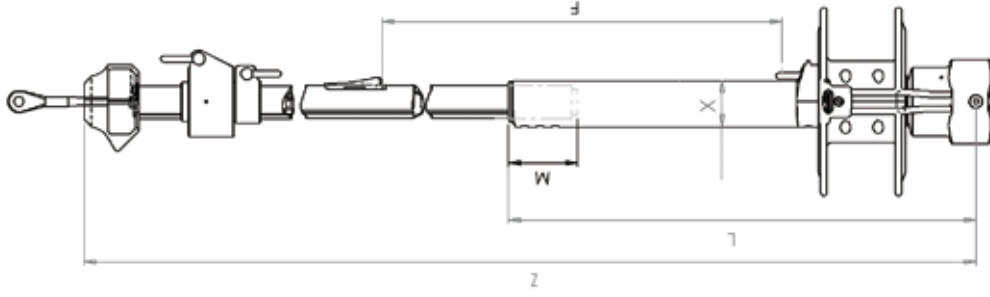


**C290 MODEL &  
BELOW DECK FITTING**

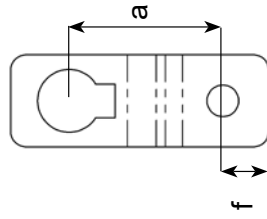
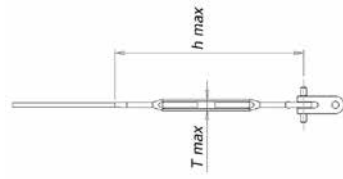
**DIMENSIONS FOR MODELS FROM C320 TO C430 - R250 TO R430**



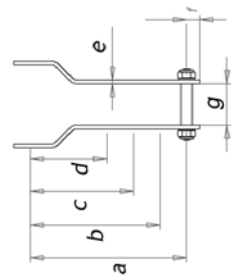
Standard fitting



with turnbuckle  
cylinder



Short link plates



Long link plates

# DIMENSIONS OF C290, C320, C350, C420, C430 MODELS

	C290				C320				C350				C420				C430			
	Standard		Turnbuckle cylinder		Standard		Turnbuckle cylinder		Standard		Turnbuckle cylinder		Standard		Turnbuckle cylinder		Standard		Turnbuckle cylinder	
	mm	ins	mm	ins	mm	ins	mm	ins	mm	ins	mm	ins	mm	ins	mm	ins	mm	ins	mm	ins
<b>A</b>	44	1 7/8"	44	1 7/8"	68	2 3/4"	68	2 3/4"	68	2 3/4"	68	2 3/4"	68	2 3/4"	68	2 3/4"	68	2 3/4"	68	2 3/4"
<b>B</b>	10	3/8"	10	3/8"	10	3/8"	10	3/8"	10	3/8"	10	3/8"	10	3/8"	10	3/8"	10	3/8"	10	3/8"
<b>C</b>	22	5/8"	22	5/8"	28	1 1/4"	28	1 1/4"	28	1 1/4"	28	1 1/4"	28	1 1/4"	28	1 1/4"	28	1 1/4"	28	1 1/4"
<b>D</b>	120	4 3/4"	180	7 1/2"	200	7 7/8"	200	7 7/8"	200	7 7/8"	200	7 7/8"	200	7 7/8"	200	7 7/8"	200	7 7/8"	200	7 7/8"
<b>ØD1</b>	140	5 3/4"	200	7 7/8"	222	8 3/4"	222	8 3/4"	222	8 3/4"	222	8 3/4"	222	8 3/4"	222	8 3/4"	222	8 3/4"	222	8 3/4"
<b>E</b>	79	3 1/8"	79	3 1/8"	103	4 1/16"	103	4 1/16"	103	4 1/16"	103	4 1/16"	103	4 1/16"	103	4 1/16"	103	4 1/16"	103	4 1/16"
<b>F</b>	293	11 1/2"	461	16 1/4"	442	15 1/2"	442	15 1/2"	442	15 1/2"	442	15 1/2"	442	15 1/2"	442	15 1/2"	442	15 1/2"	442	15 1/2"
<b>G</b>	96	3 3/4"	96	3 3/4"	125	4 7/8"	125	4 7/8"	125	4 7/8"	125	4 7/8"	125	4 7/8"	125	4 7/8"	125	4 7/8"	125	4 7/8"
<b>Hmax</b>	320	1 5/8"	110	4 21/64"	424	1 4 3/4"	137	5 25/64"	457	1 5 63/64"	154	6 1/16"	154	6 1/16"	154	6 1/16"	154	6 1/16"	154	6 1/16"
<b>I</b>	109	4 1/2"	109	4 1/2"	142	5 19/32"	142	5 19/32"	142	5 19/32"	142	5 19/32"	142	5 19/32"	142	5 19/32"	142	5 19/32"	142	5 19/32"
<b>J</b>	100	3 7/8"	72	2 53/64"	72	2 53/64"	72	2 53/64"	72	2 53/64"	72	2 53/64"	72	2 53/64"	72	2 53/64"	72	2 53/64"	72	2 53/64"
<b>K</b>	33	1 1/4"	33	1 1/4"	47	1 27/32"	47	1 27/32"	47	1 27/32"	47	1 27/32"	47	1 27/32"	47	1 27/32"	47	1 27/32"	47	1 27/32"
<b>L</b>	404	1 3 7/8"	181	7 1/4"	220	8 3/4"	220	8 3/4"	220	8 3/4"	220	8 3/4"	220	8 3/4"	220	8 3/4"	220	8 3/4"	220	8 3/4"
<b>L1</b>	18	45/64"	18	45/64"	20	25/32"	20	25/32"	20	25/32"	20	25/32"	20	25/32"	20	25/32"	20	25/32"	20	25/32"
<b>M</b>	78	35/64"	64	2 33/64"	75	2 15/16"	75	2 15/16"	75	2 15/16"	75	2 15/16"	75	2 15/16"	75	2 15/16"	75	2 15/16"	75	2 15/16"
<b>N</b>	25	63/64"	17	43/64"	21	53/64"	21	53/64"	21	53/64"	21	53/64"	21	53/64"	21	53/64"	21	53/64"	21	53/64"
<b>O</b>	45	1 49/64"																		
<b>P</b>	150	5 29/32"	157	6 3/16"	184	7 1/4"	184	7 1/4"	184	7 1/4"	184	7 1/4"	184	7 1/4"	184	7 1/4"	184	7 1/4"	184	7 1/4"
<b>Q</b>	98	3 55/64"	88	3 15/32"	108	4 1/4"	108	4 1/4"	108	4 1/4"	108	4 1/4"	108	4 1/4"	108	4 1/4"	108	4 1/4"	108	4 1/4"
<b>R</b>	80	3 5/32"	66	2 19/32"	86	3 25/64"	86	3 25/64"	86	3 25/64"	86	3 25/64"	86	3 25/64"	86	3 25/64"	86	3 25/64"	86	3 25/64"
<b>S</b>	170	6 11/64"																		
<b>Tmax</b>	29	1 9/64"	32	1 17/64"	42	1 21/32"	42	1 21/32"	42	1 21/32"	42	1 21/32"	42	1 21/32"	42	1 21/32"	42	1 21/32"	42	1 21/32"
<b>U</b>	213	8 25/64"	199	7 53/64"	245	9 41/64"	245	9 41/64"	245	9 41/64"	245	9 41/64"	245	9 41/64"	245	9 41/64"	245	9 41/64"	245	9 41/64"
<b>V</b>	66	2 19/32"	92	3 5/8"	105	4 9/64"	105	4 9/64"	105	4 9/64"	105	4 9/64"	105	4 9/64"	105	4 9/64"	105	4 9/64"	105	4 9/64"
<b>W</b>	97	3 13/16"	97	3 13/16"	115	4 17/32"	115	4 17/32"	115	4 17/32"	115	4 17/32"	115	4 17/32"	115	4 17/32"	115	4 17/32"	115	4 17/32"
<b>X</b>	46	1 13/16"			52	2 3/64"	52	2 3/64"	52	2 3/64"	52	2 3/64"	52	2 3/64"	52	2 3/64"	52	2 3/64"	52	2 3/64"
<b>Y</b>	29	1 9/64"	32	1 17/64"	35	13/8"	35	13/8"	35	13/8"	35	13/8"	35	13/8"	35	13/8"	35	13/8"	35	13/8"
<b>Z</b>	10370	34 1/4"	12160	39 10 3/4"	12475	39 10 3/4"	14215	46 7 3/4"	14535	47 8 1/4"	16230	53 2"	16230	53 2"	16230	53 2"	16230	53 2"	16230	53 2"
Short link plates																				
<b>a</b>	50 (1 31/32")		50 (1 31/32")		55 (2 5/32")		55 (2 5/32")		55 (2 5/32")		55 (2 5/32")		55 (2 5/32")		55 (2 5/32")		55 (2 5/32")		55 (2 5/32")	
<b>f</b>	15 (19/32")		15 (19/32")		20 (25/32")		20 (25/32")		20 (25/32")		20 (25/32")		20 (25/32")		20 (25/32")		20 (25/32")		20 (25/32")	
Link plates																				
<b>a</b>	180	7 3/32"	340	1 1 1/12"	180	7 3/32"	500	1 7 11/16"	200	7 7/8"	500	1 7 3/4"	500	1 7 3/4"	200	7 7/8"	500	1 7 3/4"	250	9 27/32"
<b>b</b>	145	5 45/64"	305	1 1/64"	145	5 7/8"	465	1 6 5/16"	165	6 3/4"	465	1 6 5/16"	465	1 6 5/16"	165	6 3/4"	465	1 6 5/16"	215	8 21/32"
<b>c</b>	110	4 21/64"	270	10 5/8"	110	4 21/64"	430	1 4 7/8"	130	5 1/2"	430	1 4 7/8"	430	1 4 7/8"	130	5 1/2"	430	1 4 7/8"	180	7 31/64"
<b>d</b>	75	2 61/64"	235	9 1/4"	75	2 61/64"	395	1 3 9/16"	95	4 5/16"	395	1 3 9/16"	395	1 3 9/16"	95	4 5/16"	395	1 3 9/16"	145	6 19/64"
<b>e</b>	4	5/32"	4	5/32"	4	5/32"	4	5/32"	4	5/32"	4	5/32"	4	5/32"	4	5/32"	4	5/32"	4	5/32"
<b>f</b>	16	19/32"	16	19/32"	16	19/32"	16	43/64"	16	19/32"	16	43/64"	16	19/32"	16	19/32"	16	43/64"	16	19/32"
<b>g</b>	41	1 39/64"	41	1 39/64"	41	1 39/64"	41	1 39/64"	41	1 39/64"	41	1 39/64"	41	1 39/64"	41	1 39/64"	41	1 39/64"	61	2 9/16"

# DIMENSIONS OF R250, R350, R420, R430 MODELS

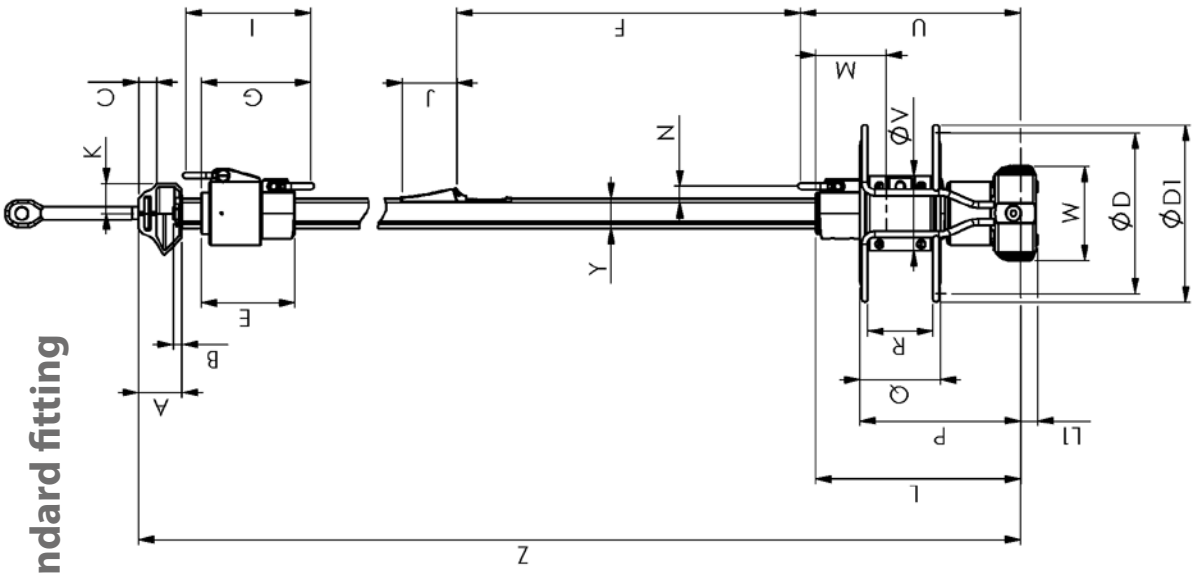
	R250				R350				R420				R430			
	Standard		Turnbuckle cylinder		Standard		Turnbuckle cylinder		Standard		Turnbuckle cylinder		Standard		Turnbuckle cylinder	
	mm	ins	mm	ins	mm	ins	mm	ins	mm	ins	mm	ins	mm	ins	mm	ins
<b>A</b>	32	1 7/64"	See Standard	See Standard	44	1 47/64"	See Standard	See Standard	68	2 43/64"	See Standard	See Standard	68	2 43/64"	See Standard	See Standard
<b>B</b>	10	13/32"	See Standard	See Standard	10	13/32"	See Standard	See Standard	10	13/32"	See Standard	See Standard	10	13/32"	See Standard	See Standard
<b>C</b>	16	5/8"	See Standard	See Standard	22	55/64"	See Standard	See Standard	28	17/64"	See Standard	See Standard	28	17/64"	See Standard	See Standard
<b>D</b>	130	5 1/8"	See Standard	See Standard	180	7 3/32"	See Standard	See Standard	220	8 21/32"	See Standard	See Standard	220	8 21/32"	See Standard	See Standard
<b>ØD1</b>	150	5 29/32"	See Standard	See Standard	200	7 7/8"	See Standard	See Standard	242	9 17/32"	See Standard	See Standard	242	9 17/32"	See Standard	See Standard
<b>E</b>	79	3 1/8"	See Standard	See Standard	103	4 1/16"	See Standard	See Standard	103	4 1/16"	See Standard	See Standard	140	5 33/64"	See Standard	See Standard
<b>F</b>	460	1' 6 7/64"	731	2' 4 3/4"	461	1' 6 1/4"	775	2' 6 1/2"	442	1' 5 1/2"	808	2' 7 3/4"	442	1' 5 1/2"	808	2' 7 3/4"
<b>G</b>	96	3 25/32"	See Standard	See Standard	125	4 7/8"	See Standard	See Standard	126	4 61/64"	See Standard	See Standard	170	6 11/16"	See Standard	See Standard
<b>H max</b>	88	3 15/32"	359	1' 2 1/4"	110	4 21/64"	424	1' 4 3/4"	154	6 1/16"	520	1' 8 1/2"	154	6 1/16"	520	1' 8 1/2"
<b>I</b>	109	4 19/64"	See Standard	See Standard	142	5 19/32"	See Standard	See Standard	144	5 43/64"	See Standard	See Standard	196	7 3/4"	See Standard	See Standard
<b>J</b>	72	2 53/64"	See Standard	See Standard	72	2 53/64"	See Standard	See Standard	72	2 53/64"	See Standard	See Standard	72	2 53/64"	See Standard	See Standard
<b>K</b>	25	63/64"	See Standard	See Standard	33	1 1/4"	See Standard	See Standard	47	1 27/32"	See Standard	See Standard	47	1 27/32"	See Standard	See Standard
<b>L</b>	163	6 27/64"	434	1' 5 3/32"	181	7 1/4"	495	1' 7 1/2"	236	9 19/64"	601	1' 11 1/2"	236	9 19/64"	601	1' 11 1/2"
<b>L1</b>	18	45/64"	See Standard	See Standard	18	45/64"	See Standard	See Standard	20	25/32"	See Standard	See Standard	20	25/32"	See Standard	See Standard
<b>M</b>	68	2 43/64"	See Standard	See Standard	64	2 33/64"	See Standard	See Standard	75	2 15/16"	See Standard	See Standard	75	2 15/16"	See Standard	See Standard
<b>N</b>	15	19/32"	See Standard	See Standard	15	19/32"	See Standard	See Standard	17	43/64"	See Standard	See Standard	17	43/64"	See Standard	See Standard
<b>O</b>																
<b>P</b>	133	5 15/44"	See Standard	See Standard	157	6 3/16"	See Standard	See Standard	203	7	See Standard	See Standard	203	7 63/64"	See Standard	See Standard
<b>Q</b>	74	2 29/32"	See Standard	See Standard	88	3 15/32"	See Standard	See Standard	115	4 17/32"	See Standard	See Standard	115	4 17/32"	See Standard	See Standard
<b>R</b>	60	2 23/64"	See Standard	See Standard	66	2 19/32"	See Standard	See Standard	90	3 9/16"	See Standard	See Standard	90	3 9/16"	See Standard	See Standard
<b>S</b>																
<b>T max</b>	26	1 1/32"	See Standard	See Standard	32	1 17/64"	See Standard	See Standard	42	1 21/32"	See Standard	See Standard	42	1 21/32"	See Standard	See Standard
<b>U</b>	165	6 1/2"	See Standard	See Standard	199	7 53/64"	See Standard	See Standard	262	10 1/2"	See Standard	See Standard	262	10 1/2"	See Standard	See Standard
<b>V</b>	76	2 63/64"	See Standard	See Standard	92	3 5/8"	See Standard	See Standard	105	4 9/64"	See Standard	See Standard	105	4 9/64"	See Standard	See Standard
<b>W</b>	97	3 13/16"	See Standard	See Standard	97	3 13/16"	See Standard	See Standard	115	4 17/32"	See Standard	See Standard	115	4 17/32"	See Standard	See Standard
<b>X</b>			40	1 37/64"			52	2 1/16"			60	2 23/64"			60	2 23/64"
<b>Y</b>	25	63/64"	See Standard	See Standard	35	13/8"	See Standard	See Standard	42	1 21/32"	See Standard	See Standard	42	1 21/32"	See Standard	See Standard
<b>Z</b>	8127	26' 7 63/64"	8398	27' 6 1/2"	12160	39' 10 3/4"	12475	40' 11 1/4"	14230	46' 8 1/4"	14595	47' 10 5/8"	16230	53' 2"	16595	54' 5"
<b>Short link plates</b>																
<b>a</b>	50	(1 32/32")	50	(1 32/32")	50	(1 32/32")	50	(1 32/32")	55	(2 5/32")	55	(2 5/32")	55	(2 5/32")	55	(2 5/32")
<b>f</b>	15	(19/32")	15	(19/32")	15	(19/32")	15	(19/32")	20	(25/32")	20	(25/32")	20	(25/32")	20	(25/32")
<b>Link plates</b>																
<b>a</b>	340	1' 1 25/64"	180	7 3/32"	340	1' 1 25/64"	180	7 3/32"	500	1' 7 3/4"	200	7 7/8"	500	1' 7 3/4"	250	9 27/32"
<b>b</b>	305	1' 1/64"	145	5 7/8"	305	1' 1/64"	145	5 7/8"	465	1' 6 5/16"	165	6 3/4"	465	1' 6 5/16"	215	8 1/4"
<b>c</b>	270	10 5/8"	110	4 23/32"	270	10 5/8"	110	4 23/32"	430	1' 4 7/8"	130	5 1/2"	430	1' 4 7/8"	180	6 3/4"
<b>d</b>	235	9 1/4"	75	3 9/16"	235	9 1/4"	75	3 9/16"	395	1' 3 9/16"	95	4 5/16"	395	1' 3 9/16"	145	5 1/8"
<b>e</b>	4	5/32"	4	5/32"	4	5/32"	4	5/32"	4	5/32"	4	5/32"	4	5/32"	4	5/32"
<b>f</b>	16	19/32"	16	19/32"	16	19/32"	16	19/32"	16	19/32"	16	43/64"	16	19/32"	16	43/64"
<b>g</b>	41	1 39/64"	41	1 39/64"	41	1 39/64"	41	1 39/64"	41	1 39/64"	41	1 39/64"	61	2 9/16"	61	2 9/16"



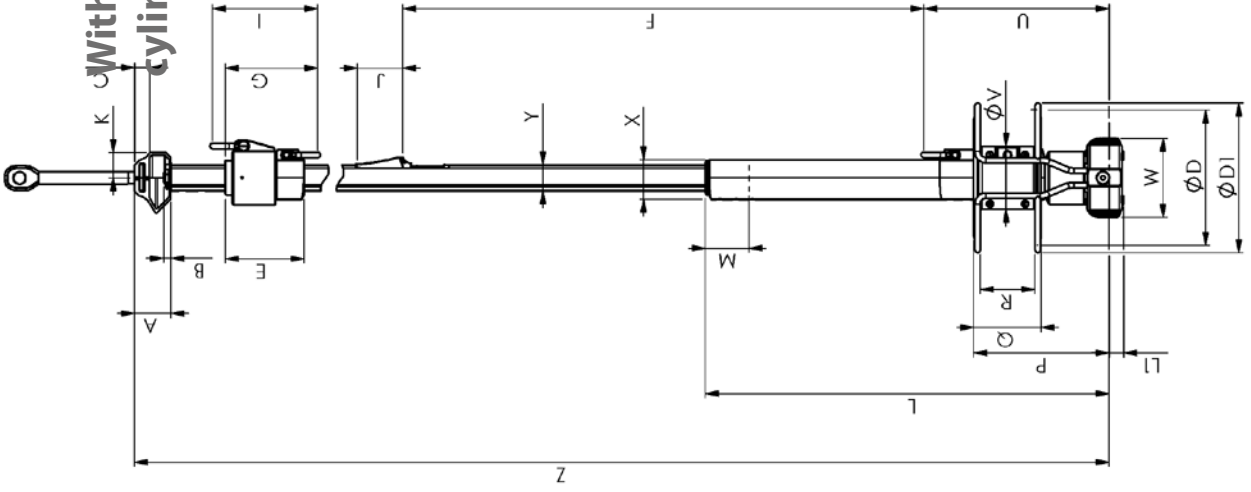
	C480						R480						C520						C530					
	Standard			Turnbuckle cylinder			Standard			Turnbuckle cylinder			Standard			Turnbuckle cylinder			Standard			Turnbuckle cylinder		
	mm	inch		mm	inch		mm	inch		mm	inch		mm	inch		mm	inch		mm	inch		mm	inch	
<b>A</b>	68	2 43/64"		See standard	See standard		68	2 43/64"		See standard	See standard		68	2 43/64"		See standard	See standard		68	2 43/64"		See standard	See standard	
<b>B</b>	14	35/64"		See standard	See standard		14	35/64"		See standard	See standard		14	35/64"		See standard	See standard		14	35/64"		See standard	See standard	
<b>C</b>	28	1 7/64"		See standard	See standard		28	1 7/64"		See standard	See standard		28	1 7/64"		See standard	See standard		28	1 7/64"		See standard	See standard	
<b>ØD</b>	250	9 27/32"		See standard	See standard		250	9 27/32"		See standard	See standard		250	9 27/32"		See standard	See standard		250	9 27/32"		See standard	See standard	
<b>ØD1</b>	276	10 1 55/64"		See standard	See standard		276	10 1 55/64"		See standard	See standard		276	10 1 55/64"		See standard	See standard		276	10 1 55/64"		See standard	See standard	
<b>E</b>	146	5 3/4"		See standard	See standard		146	5 3/4"		See standard	See standard		146	5 3/4"		See standard	See standard		168	5 3/4"		See standard	See standard	
<b>F</b>	535	1 9 1/8"		See standard	See standard		535	1 9 1/8"		See standard	See standard		535	1 9 1/8"		See standard	See standard		535	1 9 1/8"		1062	3 5 13/16"	
<b>G</b>	170.5	6 11/16"		See standard	See standard		170	6 11/16"		See standard	See standard		170	6 11/16"		See standard	See standard		192.5	6 11/16"		See standard	See standard	
<b>H max</b>	205	8 5/64"		See standard	See standard		205	8 5/64"		See standard	See standard		205	8 5/64"		See standard	See standard		223	8 5/64"		748	2 4 47/64"	
<b>I</b>	194	7 41/64"		See standard	See standard		194	7 41/64"		See standard	See standard		194	7 41/64"		See standard	See standard		218	7 41/64"		See standard	See standard	
<b>J</b>	84	3 5/16"		See standard	See standard		84	3 5/16"		See standard	See standard		84	3 5/16"		See standard	See standard		84	3 5/16"		See standard	See standard	
<b>K</b>	47	1 27/32"		See standard	See standard		47	1 27/32"		See standard	See standard		47	1 27/32"		See standard	See standard		47	1 27/32"		See standard	See standard	
<b>L</b>	319	10 9/16"		See standard	See standard		319	10 9/16"		See standard	See standard		319	10 9/16"		See standard	See standard		337	10 9/16"		863	2 9 17/64"	
<b>L1</b>	27	1 1/8"		See standard	See standard		27	1 1/8"		See standard	See standard		27	1 1/8"		See standard	See standard		27	1 1/8"		See standard	See standard	
<b>M</b>	100	3 15/16"		See standard	See standard		100	3 15/16"		See standard	See standard		100	3 15/16"		See standard	See standard		100	3 15/16"		See standard	See standard	
<b>N</b>	23.5	29/32"		See standard	See standard		23.5	29/32"		See standard	See standard		21.5	27/32"		See standard	See standard		21.5	27/32"		See standard	See standard	
<b>P</b>	250	9 27/32"		See standard	See standard		250	9 27/32"		See standard	See standard		250	9 27/32"		See standard	See standard		268	9 27/32"		See standard	See standard	
<b>Q</b>	125	4 59/64"		See standard	See standard		125	4 59/64"		See standard	See standard		125	4 59/64"		See standard	See standard		125	4 59/64"		See standard	See standard	
<b>R</b>	101	3 31/32"		See standard	See standard		101	3 31/32"		See standard	See standard		101	3 31/32"		See standard	See standard		101	3 31/32"		See standard	See standard	
<b>T max</b>	52	2 3/64"		See standard	See standard		52	2 3/64"		See standard	See standard		52	2 3/64"		See standard	See standard		52	2 3/64"		See standard	See standard	
<b>U</b>	342	1 1 15/32"		See standard	See standard		342	1 1 15/32"		See standard	See standard		342	1 1 15/32"		See standard	See standard		360	1 1 15/32"		See standard	See standard	
<b>ØV</b>	116	4 9/16"		See standard	See standard		116	4 9/16"		See standard	See standard		116	4 9/16"		See standard	See standard		116	4 9/16"		See standard	See standard	
<b>W</b>	146	5 3/4"		See standard	See standard		146	5 3/4"		See standard	See standard		146	5 3/4"		See standard	See standard		146	5 3/4"		See standard	See standard	
<b>X</b>	-	2 7/8"		See standard	See standard		73	2 7/8"		See standard	See standard		73	2 7/8"		See standard	See standard		-	2 7/8"		73	2 7/8"	
<b>Y</b>	48	1 57/64"		See standard	See standard		48	1 57/64"		See standard	See standard		52	2 3/64"		See standard	See standard		52	2 3/64"		See standard	See standard	
<b>Z</b>	18287	59 11 5/16"		See standard	See standard		18287	59 11 5/16"		See standard	See standard		20287	66 6 11/16"		See standard	See standard		22305	73 2 5/32"		22830	74 10 13/16"	
<b>Link plates</b>																								
<b>a1</b>	325	10 51/64"	Medium	Long	Long	Medium	325	10 51/64"	Long	2 2 37/64"	2 2 37/64"	675	10 51/64"	Long	2 2 37/64"	675	10 51/64"	Medium	325	10 51/64"	Long	675	2 2 37/64"	Long
<b>a2</b>	275	10 53/64"	Medium	Long	Long	Medium	275	10 53/64"	Long	10 53/64"	10 53/64"	275	10 53/64"	Long	2 0 39/64"	275	10 53/64"	Medium	275	10 53/64"	Long	625	2 0 39/64"	Long
<b>a3</b>	225	8 55/64"	Medium	Long	Long	Medium	225	8 55/64"	Long	8 55/64"	8 55/64"	225	8 55/64"	Long	1 10 41/64"	225	8 55/64"	Medium	225	8 55/64"	Long	575	1 10 41/64"	Long
<b>a4</b>	175	6 57/64"	Medium	Long	Long	Medium	175	6 57/64"	Long	6 57/64"	6 57/64"	175	6 57/64"	Long	1 8 43/64"	175	6 57/64"	Medium	175	6 57/64"	Long	525	1 8 43/64"	Long
<b>a5</b>	125	4 59/64"	Medium	Long	Long	Medium	125	4 59/64"	Long	4 59/64"	4 59/64"	125	4 59/64"	Long	1 6 45/64"	125	4 59/64"	Medium	125	4 59/64"	Long	475	1 6 45/64"	Long
<b>a6</b>	425	1 4 47/64"	Medium	Long	Long	Medium	425	1 4 47/64"	Long	1 4 47/64"	1 4 47/64"	425	1 4 47/64"	Long	1 4 47/64"	425	1 4 47/64"	Medium	425	1 4 47/64"	Long	425	1 4 47/64"	Long
<b>e</b>	6	15/64"	Medium	Long	Long	Medium	6	15/64"	Long	15/64"	15/64"	6	15/64"	Long	15/64"	6	15/64"	Medium	6	15/64"	Long	6	15/64"	Long
<b>f</b>	25	63/64"	Medium	Long	Long	Medium	25	63/64"	Long	63/64"	63/64"	25	63/64"	Long	63/64"	25	63/64"	Medium	25	63/64"	Long	25	63/64"	Long
<b>g</b>	64 or 81	2 33/64"	Medium	Long	Long	Medium	64 or 81	2 33/64"	Long	2 33/64"	2 33/64"	64 or 81	2 33/64"	Long	2 33/64"	64 or 81	2 33/64"	Medium	64 or 81	2 33/64"	Long	64 or 81	2 33/64"	Long
	81	or 3 3/16"	Medium	Long	Long	Medium	81	or 3 3/16"	Long	or 3 3/16"	or 3 3/16"	81	or 3 3/16"	Long	or 3 3/16"	81	or 3 3/16"	Medium	81	or 3 3/16"	Long	64 or 81	or 3 3/16"	Long

# DIMENSIONS FOR C480, C520, C530 AND R480 MODELS

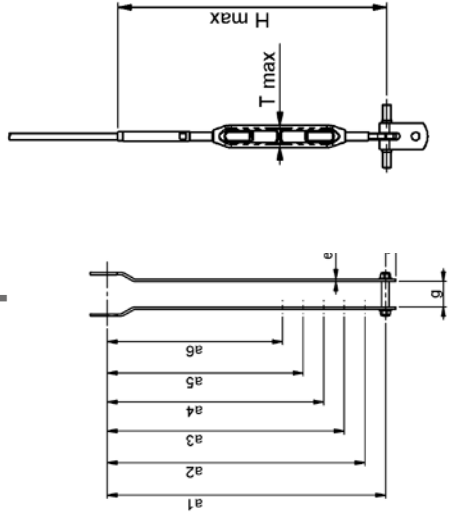
**Standard fitting**



**With turnbuckle cylinder**



**Long and medium link plates**



# PROFURL DISTRIBUTORS PER COUNTRY

Country	Name	Zip code	Town	Area code	Phone	E-mail
Australia	Wichard Pacific Pty Ltd	NSW 2044	St Peters	61	295 160 677	info@wichard.com.au
Azores	Boat & Sailservice	9500-771	Sao Miguel	351	963925707	boatsailservice@gmx.net
Azores	Mid Atlantic Yacht Services	9900-114	Horta	351	292 391 616	mays@mail.telepac.pt
Belgium	Elvstrom Sails Benelux	2000	Antwerpen	32	0 495707870	info@elvstromsails.be
Belgium	Plaisance Diffusion	1030	Bruxelles	32	0 2 216 79 34	info@plaisance.be
Belgium	Technique Voile	4432	Alleur	32	0 42 63 4041	info@technique-voile.be
Belgium	West Diep Yachting Center	8620	Nieuwpoort	32	0 58 23 40 61	info@westdiep.com
Belgium	Wittevrongel Sails BV	8370	Blankenberge	32	04 96 28 45 75	ian@wittevrongel.be
Belgium	Wittevrongel Rigging	8370	Blankenberge	32	04 96 28 45 76	steve@wittevrongel.be
Brazil	Rio Sail Tech	22290-240	Rio de Janeiro	55	254 202 33	contato@riosailtech.com.br
Canada	WPG Canada	JOB 3G0	Stoke (Québec)	1	819 878 30 18	info@wichard.ca
Canary islands	Nordest	38370	La Matanza Tenerife	34	922 577 322	nordest@nordest-canarias.com
Chile	Oceanic Chile		Santiago	562	244 20 20	contacto@oceanic.cl
China	Sunrise Marineware Ltd		Shenzhen	86	755 866 50 101	sales@sunrisemw.com
Croatia	Aspar Rigging	51211	Matulji	385	51 343 230	aspar-rigging@ri.t-com.hr
Croatia	Ramina Pomorstvo	21000	Split	385	2139 82 33	office@raminapomorstvo.hr
Denmark	PS Rigging	6200	Aabenraa	45	31 69 31 39	info@ps-rigging.com
Dutch Caribbean	Budget Marine St Martin		Philipsburg	1	5 995 443 134	stmaarten@budgetmarine.com
Dutch Caribbean	FKG Marine St Martin		Philipsburg	599	544 47 33	info@fkgmarine.com
Finland	Oy Maritim AB	210	Helsinki	358	10 27 40 320	maritim@maritim.fi
France	Wichard S.A.S	63300	Thiers	33	(0)4 73 51 65 00	marine@wichard.com
French Polynesia	Tahiti Sport / Nauti Sport	98713	Papeete	689	50 59 59	tahiti.sport@tahiti-sport.pf
Germany	Pfeiffer Marine Gmbh	78345	Moss am Bondesee	49	07732 9950 32	info@pfeiffer-marine.de
Greece	Nautilus	17455	Alimos / Athens	30	210 98 54 238	info@nautilus.gr
Greece	A.Andreou & Co	Tk 18346	Athens	30	210 48 28 452	info@aandreou.gr
Greece	Waypoint	31100	Lefkas	30	26450 21461	info@waypointsails.com
Grenada	Turbulence Ltd Grenada		Prickly bay	473	439 44 95	info@turbulenceld.com
Guadeloupe	Caraibe Greement Guadeloupe	97110	Pointe À Pitre	590	90 82 01	carabegreement@hotmail.com
Hong Kong	Storm Force Marine Ltd		Wanchai	852	28 660 114	sales@stormforcemarine.com
Hungaria	Fuke Yachts (Hullam 04)	8220	Balatonalmadi	36	884 328 97	info@fukeyacht.hu
Ireland	Masts & Rigging Ireland Ltd	A92 TP49	Duleek	353	41 988 0389	info@riggers.ie
Israel	Atlantis Marine	63453 25	Tel Aviv	972	(03) 522 7978	atlantis@inter.net.il
Italy	C-Marine S.r.l	19030	Bocca Di Magra - Sp	39	0187 67 08 28	info@cmarine.it
Japan	Cosmos Marine Ltd	556-0023	Osaka	81	665 672 397	cosmarin@pure.ne.jp
Japan	Marine Services Kojima	236-0003	Kanagawa	81	457 903 581	toiawase@mskojima.co.jp
Malta	Wichard France			33	(0)6 01 22 20 50	smotte@wichard.com
Martinique	Caraibe Marine	97290	Le Marin	596	74 80 33	cgmar@wanadoo.fr
Netherlands	Masterspars	1693 BN	Wervershoof	31	(0)610627948	sales@masterspars.com
New Caledonia	Marine Corail	98800	Nouméa	687	27 58 48	info@marine-corail.nc
New Caledonia	Pacific Accastillage	98845	Nouméa	687	78 78 46	pacifaccastillage@gmail.com
New Zealand	Kiwi Yachting	90114	Auckland	64	9 36 00 30 0	sales@kiwiyachting.co.nz
Norway	Hovdan-Poly	668	Oslo	47	23 14 12 60	post@hovdan.no
Poland	Majer Na Fali	01-971	Varsovie	48	533 655 095	office@majernafali.pl
Portugal	Lisnautica Lda	1300-340	Lisbon	351	21 36 39 084	lisnautica@gmail.com
Portugal	Just Boats Lda	8100-263	Loule	351	281 971 179	info@just-boats.net
Portugal	Blaus 3 Sailing Services	8100-068	Boliquime	351	916 267 103	info@blaus.pt
Réunion Island	La voilerie du port	97420	Le Port	33	(0)6 92 21 76 69	voilerieduport@hotmail.com
Russia	Fordewind-Regatta	197110	Saint Petersburg	7	8 123 201 853	info@fordewind.spb.ru
Saint Martin	Yacht Rigging St Martin	97150	Saint Martin	590	29 52 52	mustyachtrigging@domaccess.com
Singapore	Intermarine Supply	639078	Jurong	65	686 33 966	ropes@intermarine.com.sg
Slovenia	Skipper Portoroz	6320	Portoroz	386	5 67 770 11	skipper@siol.net
South Africa	Zenith International	7435	Cape Town	27	215 553 470	profurl@mweb.co.za
Spain	YangBela Technic Sail S.L.	20280	Hondarribia	34	9 436 44 459	edouardo@yangbela.com
Sweden	Liros Skandinav AB	42750	Bilidal	46	3191 52 00	info@lirosropes.se
Switzerland	Megroz Voiles	1070	Puidoux	41	21 946 49 49	pm@fragniere-megroz.ch
Switzerland	MW Matelotage	1252	Meinier	41	79 203 41 11	denis.menetrey@mwmatelotage.ch
Taiwan	Storm Force Marine Ltd		Wanchai	852	28 660 114	sales@stormforcemarine.com
Thailand	Storm Force Marine Ltd		Wanchai	852	28 660 114	sales@stormforcemarine.com
Trinidad and Tobago	Budget Marine Trinidad Ltd		Chaguaramas	1	868-634-2006	trinidad@budgetmarine.com
Turkey	Prima Deniz	34728	Istanbul	90	216352240	kayayelken@superonline.com
United Kingdom	Proboat Ltd	CMO 8TE	Burnham-On-Crouch	44	1 621 78 54 55	sales@proboat.co.uk
Uruguay	Kraen Sa	70.000	Colonia	598	52-23814	kraen@adinet.com.uy
USA	Wichard, Inc.	NC 28206	Charlotte	1	4 016 835 055	usales@wichard.com