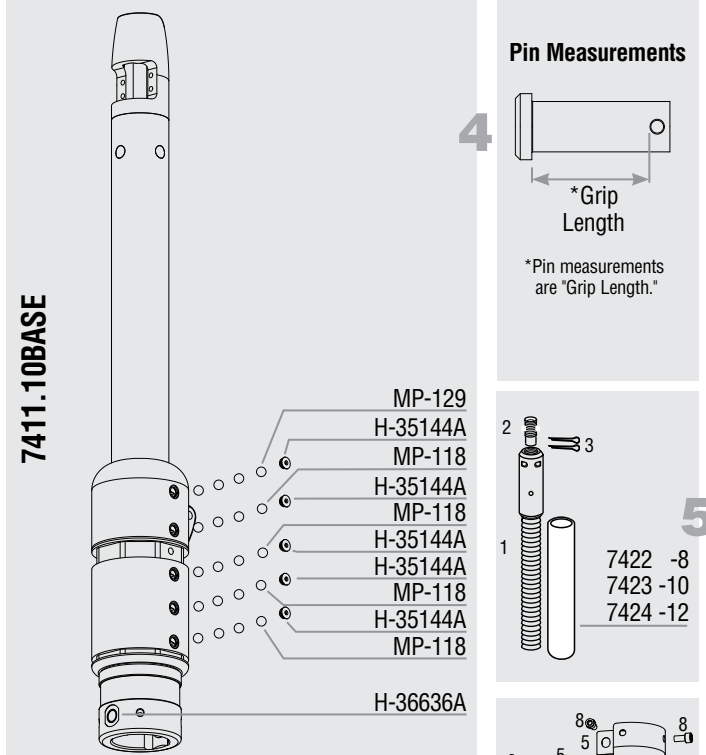
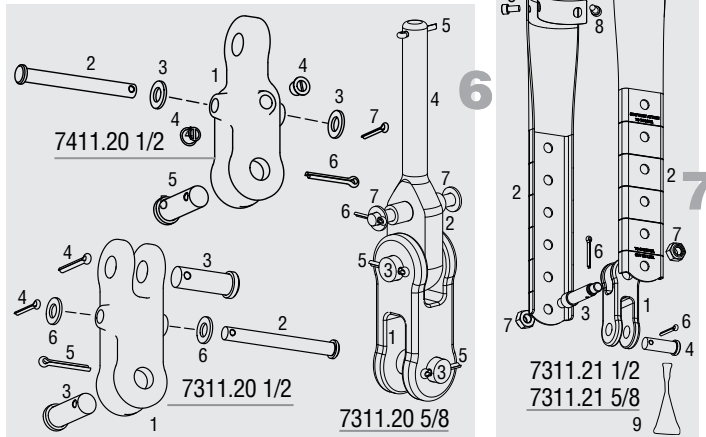


	Description	Order	Part No.
1	Top Cover Assembly w/Screws	1	HFG686
	Top Cover	2	H-35665D
	Top Cover Screw (M4 x .7 x 10MM)	2	HFS980
	Bottom Flange Assembly w/Screws	1	HFG687
	Flange	2	H-35600C
	Bottom Flange Screw (M4 x .7 x 10MM)	2	HFS980
2	Guard Assembly	1	HFG688
	Guard Set	2	H-35199E
	Guard Screw (M6 x 1 x 40MM SHCS)	2	HFS1052
3	Clamp with Screws	1	HFG696
	Clamp	1	H-42954
	Clamp Screw (M5 x .08 x 12MM SHCS)	4	HFS827
	Hub Assembly	1	7411.10BASE
	Ball Plugs	5	H-35144A
	Torlon® Ball Bearing	24	MP-129
	Delrin® Ball Bearing	96	MP-118
	IGUS® Crosspin Bushing	2	H-36636A



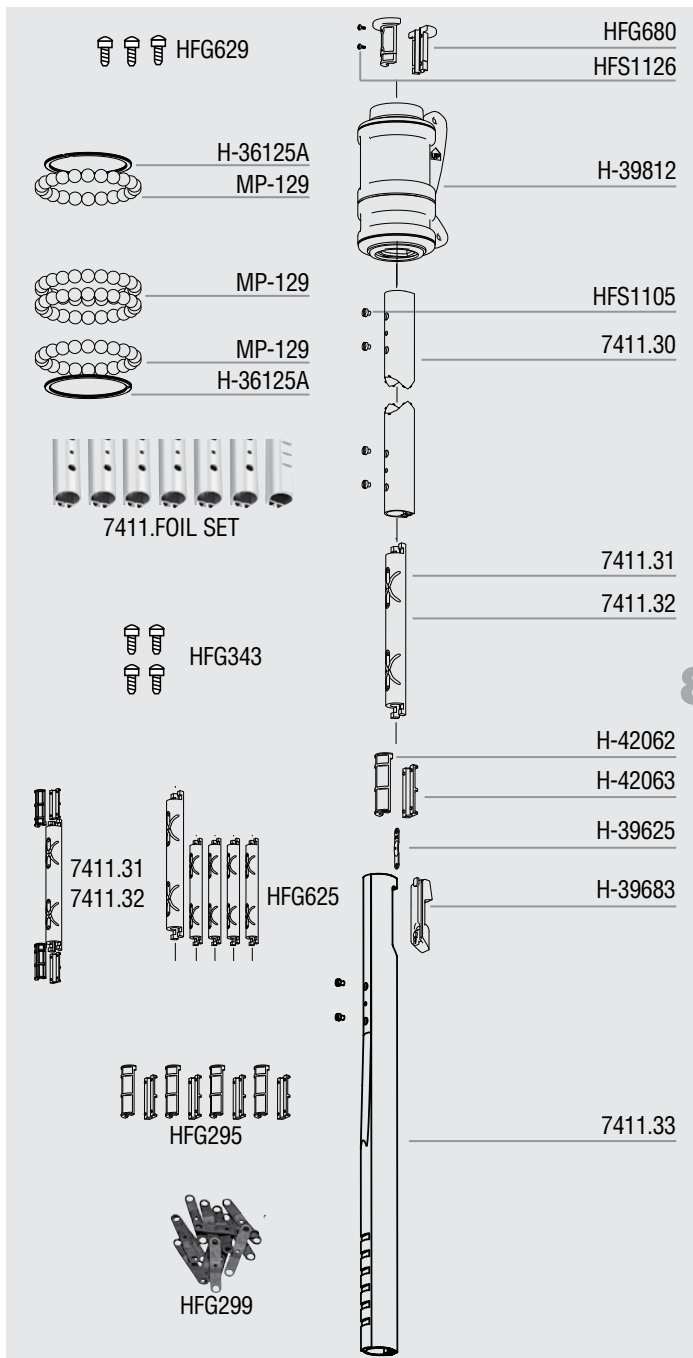
No.	Description	Order	Part No.
5	Rod Adapter Stud w/Nosepiece (-8)	1	7422 -8
	1 Stud (Main Body)	1	H-41536
	2 Nosepiece (-8)	1	H-41534
	3 Cotter Pin (3/32" x 1" 18-8)	2	HFG193
	Rod Adapter Stud w/Nosepiece (-10)	1	7423 -10
	1 Stud (Main Body)	1	H-41536
	2 Nosepiece (-10)	1	H-41535
	3 Cotter Pin (3/32" x 1" 18-8)	2	HFG193
	Rod Adapter Stud w/Nosepiece (-12)	1	7424 -12
	1 Stud (Main Body)	1	H-41531
	2 Nosepiece (-12)	1	H-41527
	3 Cotter Pin (3/32" x 1" 18-8)	2	HFG193

No.	Description	Order	Part No.
6	Eye/Jaw Toggle Reversible	1	7411.20 1/2
	1 Toggle	1	H-37675C
	2 Crosspin (5/16" x 2 11/16")	1	H-42396
	3 Nylon Washer	2	HFS1109
	4 Cross Hole Plug	2	H-42049
	5 Clevis Pin (1/2" x 1 1/2")	1	H-42395
	6 Cotter Pin (1/8" x 1" 18-8)	1	HFS220
	7 Cotter Pin (3/32" x 3/4" 18-8)	1	HFS181
	Jaw/Jaw Toggle	1	7311.20 1/2
	1 Toggle	1	H-42336
	2 Crosspin (5/16" x 2 11/16")	1	H-42396
	3 Clevis Pin (1/2" x 1 1/2")	2	H-42395
	4 Cotter Pin (1/8" x 1" 18-8)	2	HFS220
	5 Cotter Pin (3/32" x 3/4" 18-8)	1	HFS181
	6 Nylon Washer	2	HFS1109
	Stud/Jaw Toggle	1	7311.20 5/8
	1 Toggle	1	H-41300
	2 Crosspin (5/16" x 2 11/16")	1	H-42396
	3 Clevis Pin (5/8" x 1 1/2")	2	H-42397
	4 Stud	1	H-43207
	5 Cotter Pin (1/8" x 1" 18-8)	3	HFS220
	6 Cotter Pin (3/32" x 3/4" 18-8)	1	HFS181
	7 Nylon Washer	2	HFS1109



No.	Description	Order	Part No.	Part No.
7	Long Link Plate w/Toggle		7311.21 1/2	7311.21 5/8
	1 Toggle	1	H-42159	H-41300
	2 Strap	2	H-42178	H-42178
	3 Upper Clevis Pin (Custom)	1	H-42170	H-42171
	4 Lower Clevis Pin	1	H-42395	H-42397
	5 Isolator	2	H-42182	H-42182
	6 Cotter Pin	2	HFS220*	HFS203**
	7 Nylon Locking Nut (M10)	2	HFS846	HFS846
	8 Allen Cap Screws (M6x1x12MM SHCS)	4	HFS876	HFS876
9 Loctite® Blue	1	833	833	

* (1/8" x 1" 18-8) ** (5/32" x 1 1/4" 18-8)



8

Description	Order	Part No.
Trim Cap Set w/o Screws	1	HFG680
Trim Cap Screw Set	1	HFG629
Trim Cap Screw	3	HFS1126
Halyard Swivel w/o Shackles	1	H-39812
Torlon® Ball Bearings	96	MP-129
Clip/Smalley Ring	2	H-36125A
Foil Set	1	7411.FOIL SET
Foil (7' / 2.13 m) Luff	6	7411.30
Foil (2' / 610 mm) Bottom	1	7411.33
Foil Screw Set	1	HFG343
Foil Screw	30	HFS1105
Connector Set w/o Bushings	1	HFG625
Connector (7" / 178 mm)	5	—
Connector Bottom (10.75" / 273 mm)	1	—
Connector Bushing Set	1	HFG295
Connector Bushing (Curved / Longer)	12	H-42062
Connector Bushing (Flat / Shorter)	12	H-42063
Connector w/Bushings, Foil Screws, and Wedges	1	7411.31
Connector (7" / 178 mm)	1	—
Connector Bushing (Curved / Longer)	2	—
Connector Bushing (Flat / Shorter)	2	—
Foil Screw	4	—
Connector Wedge	2	—
Connector w/Bushings Bottom	1	7411.32
Connector Bottom (10.75" / 273 mm)	1	—
Connector Bushing (Curved / Longer)	2	—
Connector Bushing (Flat / Shorter)	2	—
Connector Wedge Set	1	HFG299
Connector Wedge	14	H-39625
Feeder Set	1	H-39683
Feeder	1	H-35623B
Feeder Screw	1	HFS1129
Tab	1	H-35666A

8

9

Description	Order	Part No.
Instruction Manual	1	4417
Prefeeder	1	947
Loctite® Red	2	HFG739
5200 Adhesive Set	1	HFG725
5200 Marine Adhesive Sealant	1	HFG722
Injector	1	HFG200 HFG201
7 mm Double Braid Polyester (70' / 21.3 m)	1	HFG233



10

10

Description	Order	Part No.
Lead Block Kit	1	7404
29 mm Outboard Lead Assembly	3	7403
57 mm Carbo Ratchet Assembly	1	7402
40 mm Carbo Assembly	1	7401
Horn Cleat	1	HCP168
Bow Shackle (6 mm)	3	2110
Halyard Restrainer	1	944
Sheave/SS Inner Race Only	1	944ASSY
Clevis Pin (1/4" x .9" 18-8)	1	HFG467
Bracket-Small	1	HCP393
Cotter Pin (1/16" x 1/2" 18-8)	1	HFS118
Halyard Deflector	1	7302
Hex Keys		
5 mm	1	HFG643
4 mm	1	HFG640
2.5 mm	1	HCP1387