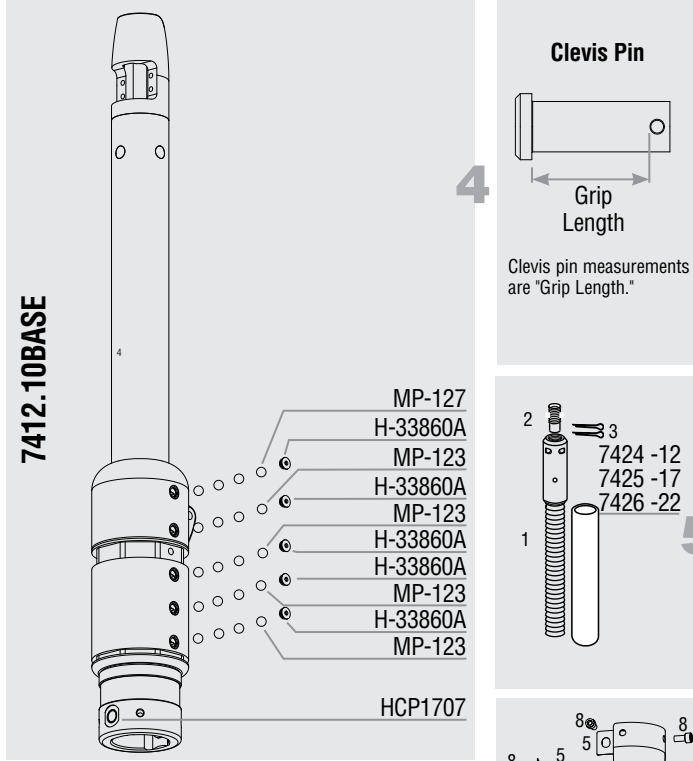
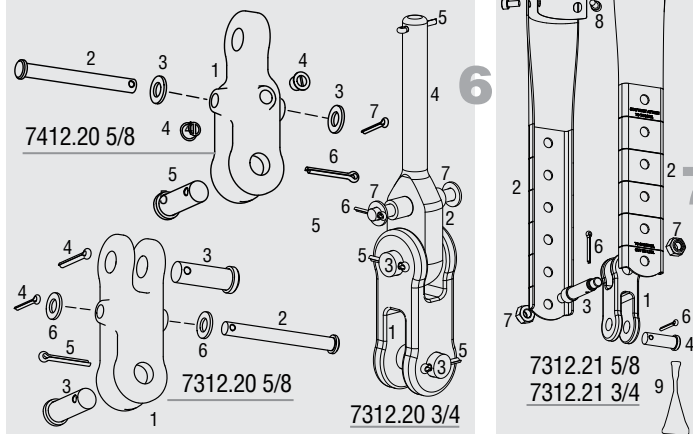


	Description	Order	Part No.
1	Top Cover Assembly w/Screws	1	HFG689
	Top Cover	2	H-35025D
	Top Cover Screw (M5 x .8 x 12MM)	2	HFS1060
2	Bottom Flange Assembly w/Screws	1	HFG690
	Flange	2	H-35465C
	Bottom Flange Screw (M5 x .8 x 12MM)	2	HFS1060
3	Guard Assembly	1	HFG691
	Guard Set	2	H-33758E
4	Clamp with Screws	1	HFG697
	Clamp	1	H-42346
5	Hub Assembly	1	7412.10BASE
	Ball Plugs	5	H-33860A
	Torlon® Ball Bearing	25	MP-127
	Delrin® Ball Bearing	100	MP-123
	IGUS® Crosspin Bushing	2	HCP1707

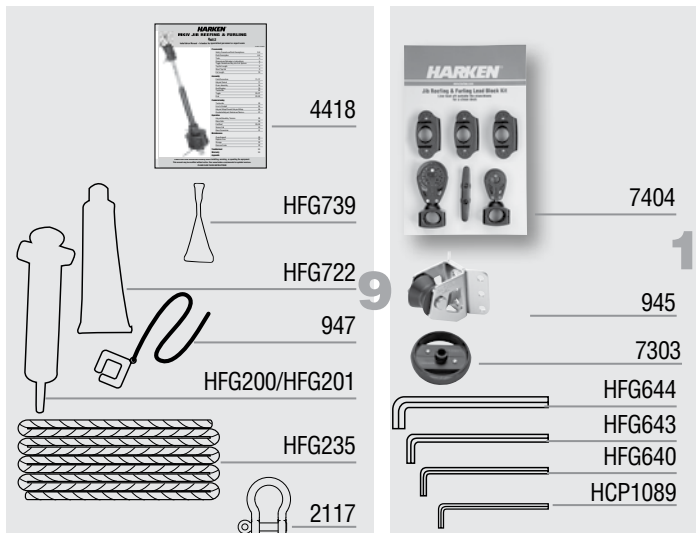
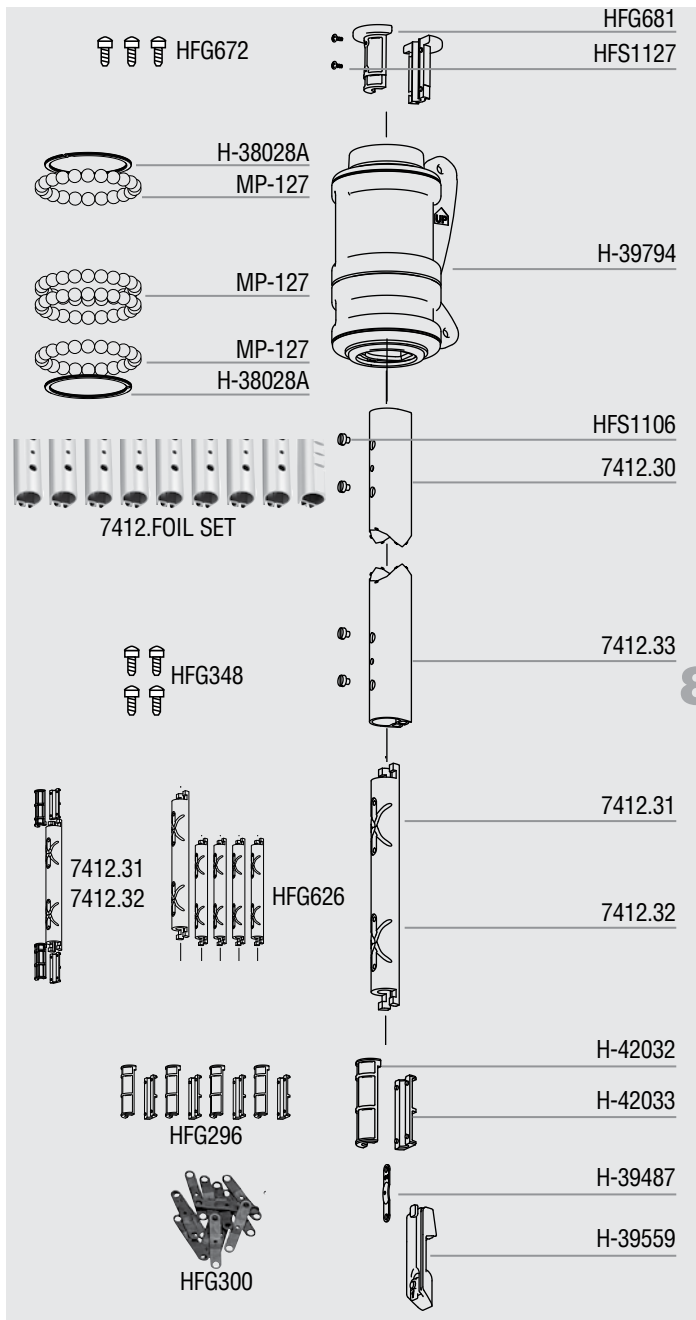


No.	Description	Order	Part No.
5	Rod Adapter Stud w/Nosepiece (-12)	1	7424 -12
	1 Stud (Main Body)	1	H-41531
	2 Nosepiece -12	1	H-41527
6	Rod Adapter Stud w/Nosepiece (-17)	1	7425 -17
	1 Stud (Main Body)	1	H-41531
	2 Nosepiece -17	1	H-41526
7	Rod Adapter Stud w/Nosepiece (-22)	1	7426 -22
	1 Stud (Main Body)	1	H-41812
	2 Nosepiece -22	1	H-41811
8	Stud Cap (7/8" ID x 5 1/2" RED)	1	HFG303
	3 Cotter Pin (3/32" x 1" 18-8)	2	HFG193
	Stud Cap (7/8" ID x 5 1/2" RED)	1	HFG303



No.	Description	Order	Part No.
6	Eye/Jaw Toggle Reversible	1	7412.20 5/8
	1 Toggle	1	H-37647C
	2 Crosspin (7/16" x 39/32" 18-8)	1	H-42398
	3 Nylon Washer	2	HFS1005
	4 Cross Hole Plug	2	H-42045
	5 Clevis Pin (5/8" x 1 1/2" 18-8)	1	H-42397
	6 Cotter Pin (5/32" x 1 1/4" 18-8)	1	HFS203
7	Jaw/Jaw Toggle	1	7312.20 5/8
	1 Toggle	1	H-42316
	2 Crosspin (7/16" x 35/16" 18-8)	1	H-42398
	3 Clevis Pin (5/8" x 1 1/2" 18-8)	2	H-42397
	4 Cotter Pin (5/32" x 1 1/4" 18-8)	2	HFS203
	5 Cotter Pin (1/8" x 1" 18-8)	1	HFS220
	6 Nylon Washer	2	HFS1005
8	Stud/Jaw Toggle	1	7312.20 3/4
	1 Toggle	1	H-41489
	2 Crosspin (7/16" x 35/16" 18-8)	1	H-42398
	3 Clevis Pin (3/4" x 1 13/16" 18-8)	2	H-42403
	4 Stud	1	H-43210
	5 Cotter Pin (5/32" x 1 1/4" 18-8)	3	HFS203
	6 Cotter Pin (1/8" x 1" 18-8)	1	HFS220
7 Nylon Washer	2	HFS1005	

No.	Description	Order	Part No.	Part No.
9	Long Link Plate w/Toggle		7312.21 5/8	7312.21 3/4
	1 Toggle	1	H-41300	H-41489
	2 Strap	2	H-41304	H-41304
	3 Upper Clevis Pin (Custom)	1	H-41302	H-41525
	4 Lower Clevis Pin	1	H-42397	H-42403
	5 Isolator	2	H-41497	H-41497
	6 Cotter Pin (5/32" x 1 1/4" 18-8)	2	HFS203	HFS203
	7 Nylon Locking Nut (M12)	2	HFS937	HFS937
	8 Allen Cap Screws (M8x1.25x16 A4 SHCS)	4	HFS336	HFS336
9 Loctite® Blue	1	833	833	



8

Description	Order	Part No.
Trim Cap Set w/o Screws	1	HFG681
Trim Cap Screw Set	1	HFG672
Trim Cap Screw	3	HFS1127
Halyard Swivel w/o Shackles	1	H-39794
Torlon® Ball Bearings	92	MP-127
Clip/Smalley Ring	2	H-38028A
Foil Set	1	7412.FOIL SET
Foil (7' / 2.13 m) Luff	8	7412.30
Foil (2' / 610 mm) Bottom	1	7412.33
Foil Screw Set	1	HFG348
Foil Screw	38	HFS1106
Connector Set w/o Bushings	1	HFG626
Connector (9" / 229 mm)	7	—
Connector Bottom (13" / 330 mm)	1	—
Connector Bushing Set	1	HFG296
Connector Bushing (Curved / Longer)	16	H-42032
Connector Bushing (Flat / Shorter)	16	H-42033
Connector w/Bushings, Foil Screws, and Wedges	1	7412.31
Connector (9" / 229 mm)	1	—
Connector Bushing (Curved / Longer)	2	—
Connector Bushing (Flat / Shorter)	2	—
Foil Screw	4	—
Connector Wedge	2	—
Connector w/Bushings Bottom	1	7412.32
Connector Bottom (13" / 330 mm)	1	—
Connector Bushing (Curved / Longer)	2	—
Connector Bushing (Flat / Shorter)	2	—
Connector Wedge Set	1	HFG300
Connector Wedge	18	H-39487
Feeder Set	1	H-39559
Feeder	1	H-33931B
Feeder Screw	1	HFS1129
Tab	1	H-35671A

8

9

Description	Order	Part No.
Instruction Manual	1	4418
Prefeeder	1	947
Loctite® Red	2	HFG739
5200 Adhesive Set	1	HFG725
5200 Marine Adhesive Sealant	1	HFG722
Injector	1	HFG200 HFG201
8mm Double Braid Polyester (100', 30.5 m)	1	HFG235
Bow Shackle (8 mm)	3	2117

10

Description	Order	Part No.
Lead Block Kit (Optional)	1	7404
29 mm Outboard Lead Assembly	3	7403
57 mm Carbo Ratchet Assembly	1	7402
40 mm Carbo Assembly	1	7401
Horn Cleat	1	HCP168
Halyard Restrainer (Optional)	1	945
Sheave/SS Inner Race Only	1	945ASSY
Clevis Pin (5/16" x 1 1/4" 18-8)	1	SP-038
Bracket-Large	1	HCP394
Cotter Pin (3/32" x 3/4" 18-8)	1	HFS181
Halyard Deflector	1	7303
Hex Keys		
6 mm	1	HFG644
5 mm	1	HFG643
4 mm	1	HFG640
3 mm	1	HCP1089

10